

LOAD UNITS FOR BOILERS



RGMAT E W 5/4 RegulusRGMAT Load Unit

Load unit for solid-fuel boilers and fireplaces that prevents **low-temperature corrosion and boiler fouling by keeping a boiler (fireplace) inlet temperature** through a load valve.

RGMAT E W 5/4 load unit comes in a left-hand version (outlet to boiler is on its left side), and can be easily modified to a right-hand version (outlet to boiler on its right side) during installation. Its installation position can be either horizontal or vertical.

It consists of a Wilo Yonos Para RS25/7,5 high efficiency circulation pump incl. connection cable, thermometer, insulation and TSV5B valve with a thermostatic element of 55 / 65 °C opening temperature.

Technical Data

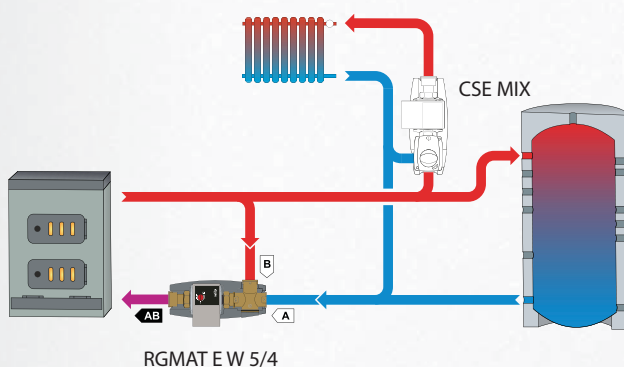
CONNECTIONS	3 x G5/4" F
FLUID WORKING TEMPERATURE	5 - 95 °C
POWER SUPPLY	230 V, 50 Hz
TOTAL WEIGHT	3.7 kg
K_{vs} from A to AB	7.0 m ³ /h
K_{vs} from B to AB	4.9 m ³ /h
MAX. HEAD	7.6 m
PUMP OPERATING POINT	2.7 m ³ /h flow rate 4.9 m head

Prevention of low-temperature corrosion of boilers.
Installation possible with A inlet from either right or left side.
Minimum heat loss thanks to thermal insulation.

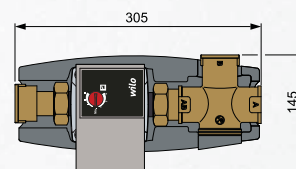
Versions

RGMAT E W 5/4	55 W 5/4	65 W 5/4
Valve opening temp.	55 °C	65 °C
Recommended max. boiler output	57 kW	41 kW
Code	15790	15791

Connection in a system



Dimensions



Available also as a variant with a thermostatic valve with manual bypass balancing – codes 16036 - 65 °C, 16031 - 72 °C.

Available also as a variant with a PWM controlled pump – codes 18133 - 55°C, 18131 - 65 °C.