


**PS2F 1500 N+ Thermal Store**

	Main Features	
	Application	Storage and subsequent distribution of thermal energy from solid-fuel boilers, heat pumps or other heat sources; the tank is fitted with 2 flanged openings that can permit installation of a DHW tube heat exchanger or connecting a solar thermal system.
	Working fluid	water, water-glycol mixture (max. 1:1), water-glycerine mixture (max. 2:1), thermal oil
	Thermal store code	15224
	Insulation code	19344

Energy Efficiency Data (as per EC Regulation No. 812/2013)	
	valid for a thermal store with insulation
Energy efficiency class	N/A
Static loss	168 W
Storage volume	1509 l

Technical data	
Total thermal store volume	1509 l
Max. working temperature in thermal store	95 °C
Min. working temperature in thermal store	7 °C
Max. working pressure in thermal store	3 bar
Thermal store diameter	1100 mm
Thermal store diameter with insulation	1300 mm
Thermal store overall height	1885 mm
Tipping height without insulation	1965 mm
Thermal store perimeter insulation thickness	100 mm
Thermal store bottom insulation thickness	50 mm
Thermal store top insulation thickness	100 mm
Empty weight without insulation	180 kg

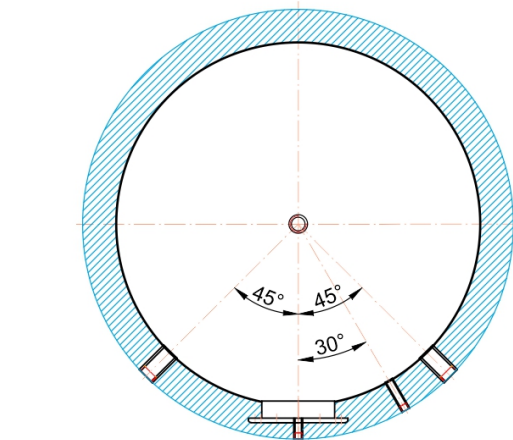
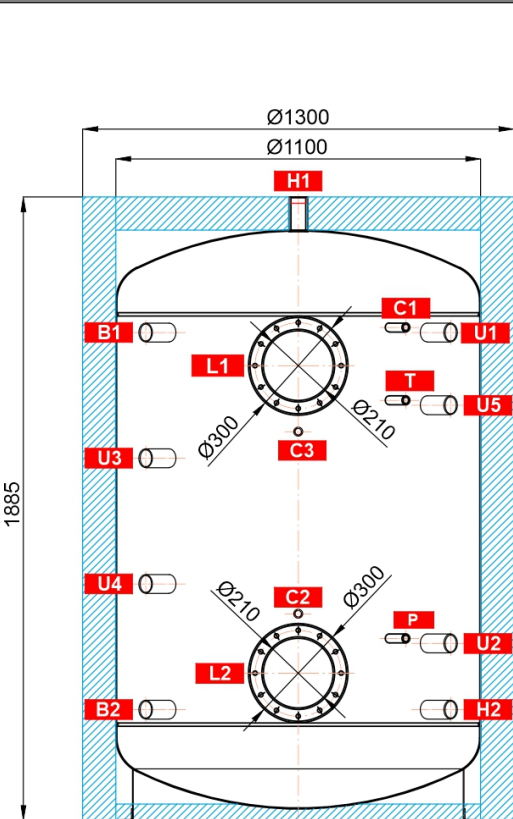
Materials	
Thermal store material	S235JR
Thermal store perimeter insulation	fleece
Thermal store outer surface insulation	hard polystyrene
Top and bottom thermal store insulation	fleece

*Insulation thermal conductivity  $\lambda \leq 0.037$  W/mK, thermal resistance (short/long term) 150/100 °C, fire class E.*

Accessories	
Electric heating element	ETT-A, C, D2, M, R, U, F2, P, S
Heating element max. length	955 mm
Blind flange	code 6230
Blind flange for heat exchanger	code 6231 / 6232
Tube heat exchanger	max. area - 4,5 m <sup>2</sup>

PS2F 1500 N+ Thermal Store

Dimensions



CONNECTIONS

pos.	description	connection	height [mm]
<b>Heat sources</b>			
B1	Supply from heat source	G 6/4" F	1475
B2	Return to heat source	G 6/4" F	335
<b>Heating system</b>			
H1	Flow to heating system	G 6/4" F	1885
H2	Return from heating system	G 6/4" F	335
<b>Control and safety</b>			
C1	Temperature sensor	G 1/2" F	1490
C2	Temperature sensor	G 1/2" F	625
C3	Temperature sensor	G 1/2" F	1175
T	Thermometer	G 1/2" F	1270
P	Safety valve	G 1/2" F	550
<b>Universal inlet/outlet</b>			
U1	Universal inlet/outlet	G 6/4" F	1475
U2	Universal inlet/outlet	G 6/4" F	535
U3	Universal inlet/outlet	G 6/4" F	1095
U4	Universal inlet/outlet	G 6/4" F	715
U5	Universal inlet/outlet	G 6/4" F	1255
<b>Flanges</b>			
L1	Upper flange	12 x M12	1375
L2	Lower flange	12 x M12	445