

BOILER PROTECTION AGAINST OVERHEATING

One-way Thermal Relief Valves



BVTS Thermal Safety Relief Valves with capillary

Thermostatic valve with a capillary designed for cooling solid-fuel boilers with **a cooling heat exchanger**.

By opening a cold water inlet, the valve removes heat from a boiler cooling heat exchanger, protecting the boiler from overheating in case of emergency. Its opening temperature depends on the valve version (the valve is factory set and cannot be changed by the user).

In order to work properly, the valve sensor shall be installed in a place where the highest temperature is reached in case of overheating - usually directly in a top section of the boiler or in an outlet pipe close to the boiler.

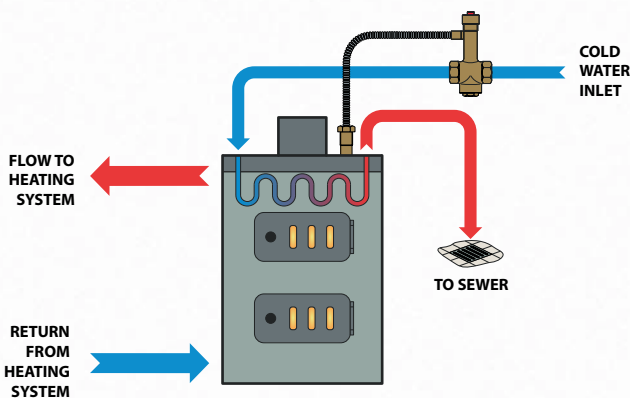
The valve has an activation push button for manual opening. Functional tests are performed on each valve in production.

Technical Data

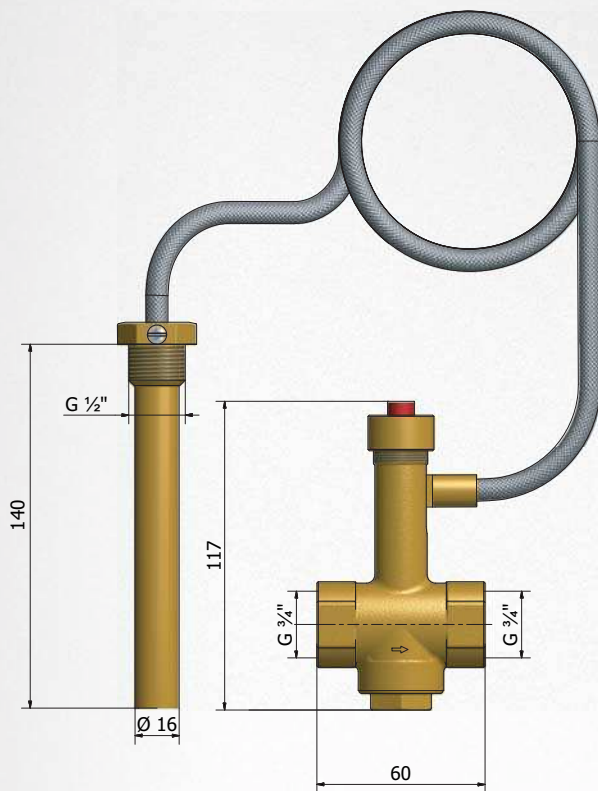
MAX. WORKING PRESSURE - HEATING WATER	6 bar
MAX. WORKING PRESSURE - COLD WATER	10 bar
CONNECTION THREAD	G 3/4" F
SENSOR SHEATH THREAD	G 1/2" M

The valve meets the requirements set by the Pressure Equipment Directive (PED) 97/23/EC and EN 14597. It is a STW device of Th type as defined by EN 14597, so it fulfils the requirements for a device to dissipate excess heat, as of Art. 4.3.8.4, EN 303-5.

Connection in a system



Dimension and versions



Version	Capillary length [mm]	Capillary design	Valve opening temp. $t \pm 2^\circ\text{C}$ [°C]	Weight [kg]	Code
BVTS 97°C 1,3M NIKL	1 300	fixed	97	0.7	14713
BVTS 50°C 1,3M O	1 300	detachable	50	0.7	14473
BVTS 55°C 1,3M	1 300	fixed	55	0.7	14474
BVTS 65°C 1,3M	1 300	fixed	65	0.7	14475
BVTS 70°C 1,3M	1 300	fixed	70	0.7	14476
BVTS 95°C 1,3M	1 300	fixed	95	0.7	14477
BVTS 95°C 4,0M	4 000	fixed	95	1.0	14478
BVTS 95°C 1,3M O	1 300	detachable	95	0.7	14479
BVTS 97°C 1,3M	1 300	fixed	97	0.7	14480
BVTS 100°C 1,3M O	1 300	detachable	100	0.7	14481
BVTS 108°C 1,3M	1 300	fixed	108	0.7	14483