

RegulusTOP PUMP STATIONS FOR HEATING SYSTEMS



CSE MIX FIX G Pump Station with electronic-controlled mixing

Pump station intended to control the temperature of return water to boiler or output temperature of heating circuits mixed to a constant temperature that can be adjusted directly on the mixing valve actuator, 0-99°C. A version designed for the right-hand pipe, possible to convert to a left-hand pipe version.

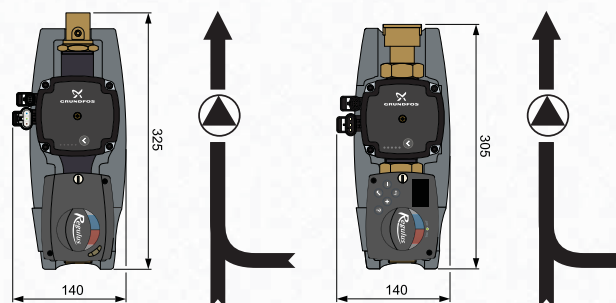
Technical Data

FLUID WORKING TEMPERATURE	5 - 95 °C
MIXING VALVE ACTUATOR	control to constant temperature, 120 s, 6 Nm
POWER SUPPLY	230 V, 50 Hz

Components

- Grundfos circulation pump with power cable w. connector
- Mixing valve
- Mixing valve actuator, electronic-controlled
- 2 Pt 1000 sensors
- Neat insulation for reduced heat loss

Dimensions







Models

	CSE MIX FIX G 1M	CSE MIX FIX G 5/4M	CSE MIX FIX G 1F	CSE MIX FIX G 5/4F
Connections	1" (2x M, 1x F)*	5/4" (2x M, 1x F)*	1" (3x F)	5/4" (3x F)
Pump Grundfos UPM3	FLEX AS 25-70	FLEX AS 25-75	FLEX AS 25-70	FLEX AS 25-75
Pump speed control	manual or PWM	manual or PWM	manual or PWM	manual or PWM
Max. head	7 m	7.5 m	7 m	7.5 m
K _{vs} of the mixing valve	6.3 m ³ /h	12 m ³ /h	10 m ³ /h	16 m ³ /h
Code	15333	16844	16403	16404

* the inner thread is located at the outlet end of the pump

Accessories

Name	Application	Code
 CSE/HV Kit	2 threaded fittings, 1 T-piece, 1 ball valve for an easy connection to Regulus heating circuit manifolds	16922
 T-piece, 1" M/Fu/M, 90 mm	to connect a return line to a mixing valve	16660
 T-piece, 1" M/Fu/M, 125 mm	for an easy connection to Regulus heating circuit manifolds	16659
 1" Fu/F Fittings	union nut x F thread	15694