

SINGLE-LINE PUMP STATIONS FOR MIXED HEATING CIRCUITS



CSE MIX W Pump Station with mixing

Pump station intended to control temperature of a mixed circuit or of a return line to solid-fuel boiler through an external controller. The version designed for the right-hand pipe, possible to convert to a left-hand pipe version.

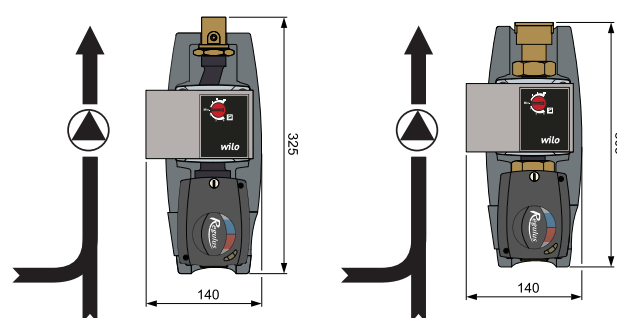
TECHNICAL DATA

FLUID WORKING TEMPERATURE	5 - 95 °C
MIXING VALVE ACTUATOR	3-point control, 120 s, 5 Nm
POWER SUPPLY	230 V, 50 Hz

COMPONENTS

- Wilo circulation pump with power cable
- Mixing valve
- Mixing valve actuator with cable
- Neat insulation for reduced heat loss

DIMENSIONS







MODELS

	CSE MIX W8 1M	CSE MIX W6 1F	CSE MIX W-PWM 1F	CSE MIX W8 5/4F
CONNECTIONS	1" (2x M, 1x F)*	1" (3x F)	1" (3x F)	5/4" (3x F)
WILO PUMP	PARA 25/8 SC	PARA 25/6 SC	PARA 25/8 iPWM1	PARA 25/8 SC
PUMP CONTROL	ON/OFF ($\Delta p-c$ / $\Delta p-v$ / I,II,III)	ON/OFF ($\Delta p-c$ / $\Delta p-v$ / I,II,III)	ON/OFF (max. speed) or PWM1	ON/OFF ($\Delta p-c$ / $\Delta p-v$ / I,II,III)
MAX. HEAD	8.4 m	6.7 m	8.4 m	8.4 m
KVS OF THE MIXING VALVE	6.3 m ³ /h	10 m ³ /h	10 m ³ /h	16 m ³ /h
CODE	17980	18317	18128	18524
CODE OF PUMP STATION WITHOUT ACTUATOR	-	18731	-	18732

* the inner thread is located at the outlet end of the pump

ACCESSORIES

Name	Application	Code
 CSE/HV Kit	2 threaded fittings, 1 T-piece, 1 ball valve for an easy connection to Regulus heating circuit manifolds	16922
 T-piece, 1" M/Fu/M, 90 mm	to connect a return line to a mixing valve	16660
 T-piece, 1" M/Fu/M, 125 mm	for an easy connection to Regulus heating circuit manifolds	16659
 Union 1" Fu/F	union nut x F thread	15694

Kindly select actuators on page 25.