

SINGLE-ROOM HRV UNITS



HR 100 W and HR 30 W

Single-room HRV units intended for ventilation of single rooms (living rooms, kitchens, bathrooms, toilets etc.). They feature 2 speed modes – low and high, and an external switch is needed for control, mostly a plain rocker switch on a wall or a humidistat.

This unit is designed to be installed in a wall, its suitable thickness is between 220 and 280 mm (up to 500 mm with an extension, see Accessories).

Code:

HR 100 W 6955

HR 30 W 6954

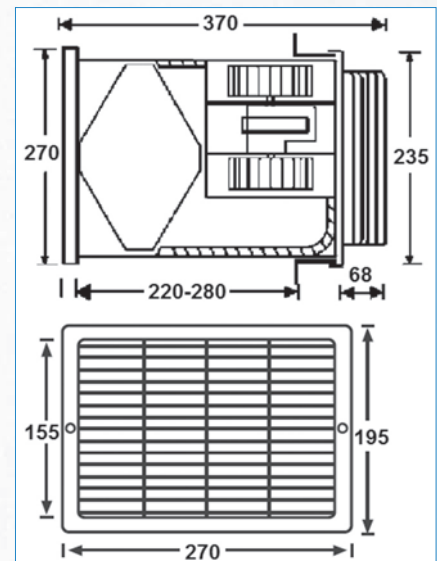
Technical Data

PERFORMANCE DATA	HR 100W	HR 30W
Low air flow - intake	38 m ³ /h	30 m ³ /h
Low air flow - exhaust	43 m ³ /h	35 m ³ /h
High air flow - intake	69 m ³ /h	40 m ³ /h
High air flow - exhaust	77 m ³ /h	50 m ³ /h
Heat recovery efficiency	max. 70%	max. 70%

ACOUSTIC DATA

Sound level (at 3 m distance)	20 dB(A) for low air flow	
	35 dB(A) for high air flow	28 dB(A) for high air flow

Dimensions



Accessories

EXT100 Extension is available that permits installation into thicker walls, 280-500 mm.