

MIXING VALVES & ACTUATORS



LK841 Four-way Mixing Valve

Mixing valves with a rotating inner segment intended for solar and heating systems with water or with antifreeze fluid for heating and solar thermal systems and heat pumps.

They have a linear flow rate characteristic in the range between 30° and 60° of the segment rotation.

The valves can be fitted with any actuator supplied by Regulus.

These valves can be easily converted between a left or right hand version for use in different positions in a heating system.

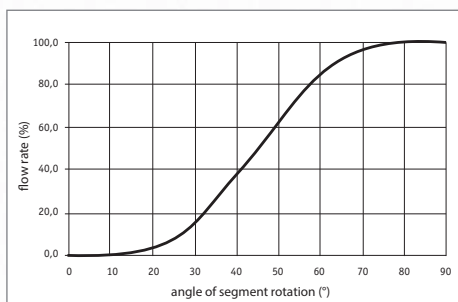
Technical Data

MAX. WORKING PRESSURE	10 bar
FLUID WORKING TEMPERATURE	-10 to 110 °C

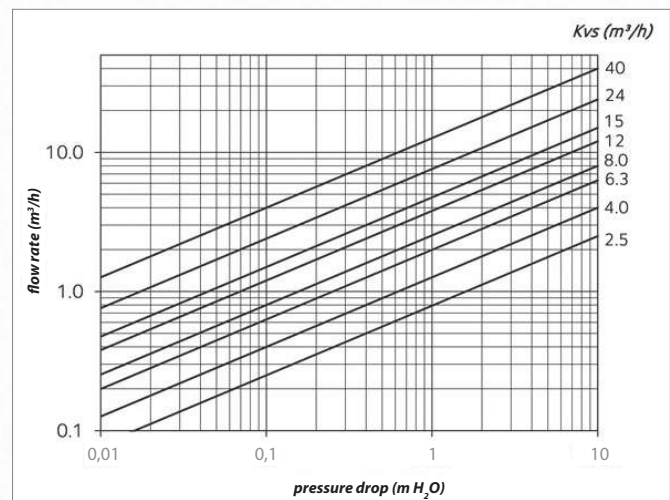
MATERIALS

VALVE BODY	brass
VALVE SPINDLE	brass
ROTATING SEGMENT	brass

Flow rate characteristic

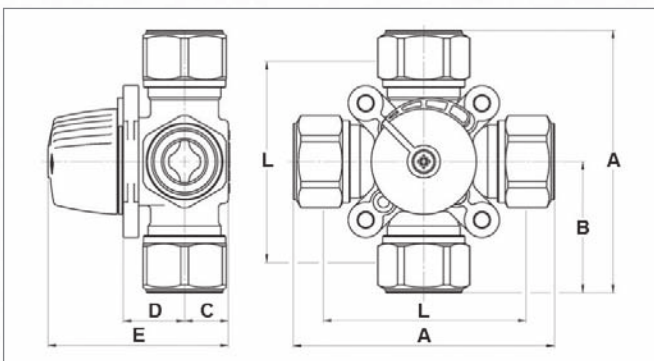


Pressure drop



Dimensions and Models

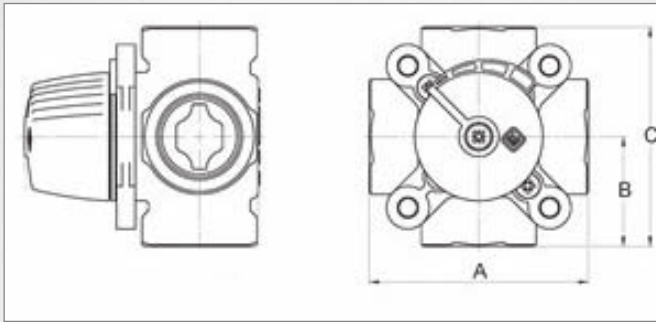
LK841 with copper connection



CONNECTION	mm	15	18	22	28	28
A	mm	114	114	114	120	120
B	mm	57	57	57	60	60
C	mm	20	20	20	20	20
D	mm	28	28	28	28	28
E	mm	82	82	82	82	82
L	mm	80	80	80	80	80
WEIGHT	kg	1.0	1.2	1.0	1.0	1.0
Kvs	m³/h	2.5	2.5	2.5	4.0	6.3
CODE	--	15777	15778	15779	15780	15781

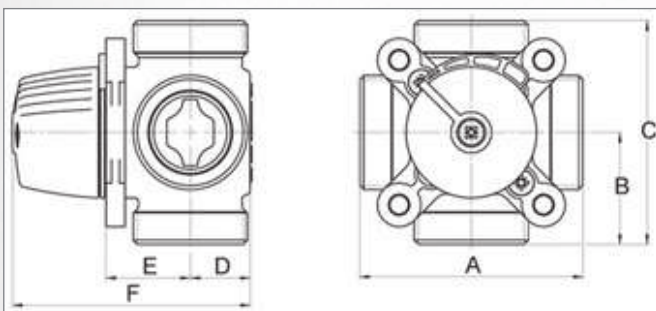
Dimensions and Models

LK841 with inner thread



CONNECTION	--	1/2" F	3/4" F	3/4" F	1" F	1" F	5/4" F	6/4" F	2" F
A	mm	80	80	80	82	82	84	118	127
B	mm	40	40	40	41	41	42	59	63.5
C	mm	80	80	80	82	82	84	118	127
WEIGHT	kg	0.7	0.7	0.7	0.7	0.8	0.9	2.3	2.7
MAX. PRESSURE DIFFERENCE IN EITHER DIRECTION	m H ₂ O	5	5	5	5	5	5	5	5
Kvs	m³/h	2.5	4.0	6.3	8.0	12.0	15.0	24.0	40.0
CODE	--	14859	14864	14863	14862	10631	10828	12664	12665

LK841 with outer thread



CONNECTION	--	3/4" M	1" M	1" M	5/4" M	5/4" M	6/4" M
A	mm	80	80	80	82	82	84
B	mm	40	40	40	41	41	42
C	mm	80	80	80	82	82	84
D	mm	20	20	20	22	22	24
E	mm	28	28	28	31	31	32
F	mm	82	82	82	87	87	90
WEIGHT	kg	0.7	0.7	0.7	0.8	0.8	0.9
MAX. PRESSURE DIFFERENCE IN EITHER DIRECTION	m H ₂ O	5	5	5	5	5	5
Kvs	m³/h	2.5	4.0	6.3	8.0	12.0	15.0
CODE	--	14829	14830	14831	14832	14833	14834