

## PROTECTION AGAINST BOILER CORROSION AND FOULING

### Insulated Load Units



#### REGOMAT EA G

#### Load unit with thermostatic mixing and manual bypass balancing

Load unit for solid-fuel boilers and fireplaces that prevents **low-temperature corrosion and boiler fouling by keeping a boiler (fireplace) inlet temperature** through a thermostatic valve.

REGOMAT EA G load unit comes in a left version (outlet to boiler is on its left side), and can be easily modified to a right version (outlet to boiler on its right side) during installation. Its installation position can be either horizontal or vertical.

It consists of a Grundfos UPM3 FLEX AS 25-70 high efficiency circulation pump incl. connection cable, a ball shut-off valve for the pump, thermometer, insulation and TSV3 valve with a thermostatic element of 65 or 72 °C opening temperature. **Balancing of TSV valve needs to be performed manually using a balancing valve in the by-pass pipe.**

Boiler manufacturer ATMOS recommends that these models of load units are used with his boilers.

#### Technical Data

FLUID WORKING TEMPERATURE	2 - 95 °C
POWER SUPPLY	230 V, 50 Hz
IP RATING	IP44
TOTAL WEIGHT	3.25 kg
CONNECTION	3x 1" F
$K_{vs}$ from A to AB	6.2 m <sup>3</sup> /h
$K_{vs}$ from B to AB	10.1 m <sup>3</sup> /h
MAX. HEAD	7 m
PUMP OPERATING POINT at $\Delta t$ 20 K	1.8 m <sup>3</sup> /h flow rate 4.9 m head

For circulation pump performance curves see page 48.

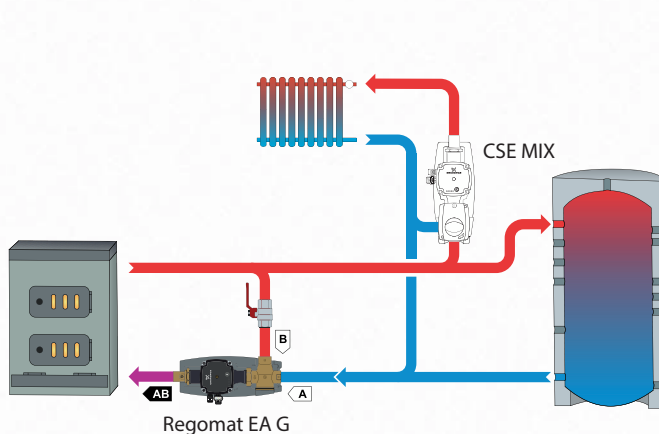
**Prevention of low-temperature corrosion of boilers.  
Installation possible with A inlet from either right or left side.  
Minimum heat loss thanks to thermal insulation.**

#### Versions

Name	Code	Valve opening temp.	Recommended max. boiler output*
REGOMAT EA 65 G	16383	65 °C	25 kW
REGOMAT EA 72 G	16384	72 °C	25 kW

\* at  $\Delta t$  of 20 K and fully open balancing valve

#### Connection in a system



#### Dimensions

