

THREE-WAY ZONE VALVES



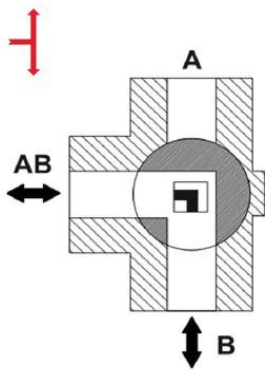
VZK M Three-way Zone Ball Valve

Zone ball valves intended for heating or solar thermal systems with water or antifreeze fluid and for drinking water systems. The valve is fitted with a lever for manual control.

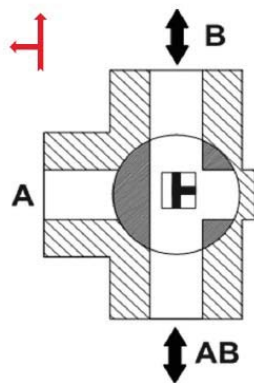
Two versions are available: L-bore and T-bore.

An electric actuator can be retrofitted to the valve - see page 40.

L-bore valve



T-bore valve



TECHNICAL DATA

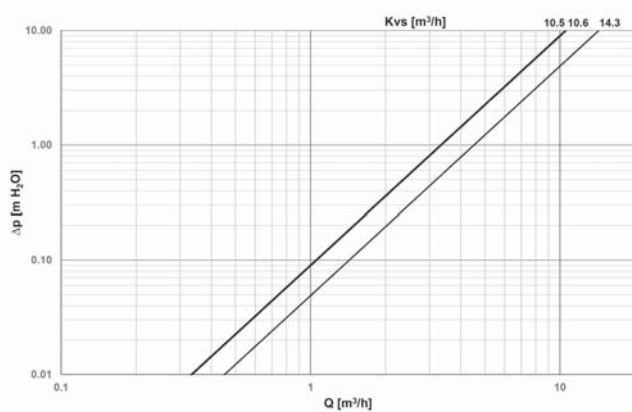
MAX. WORKING PRESSURE	10 bar
MAX. PRESSURE DIFFERENCE	10 bar
FLUID WORKING TEMPERATURE	up to 110 °C

MATERIALS

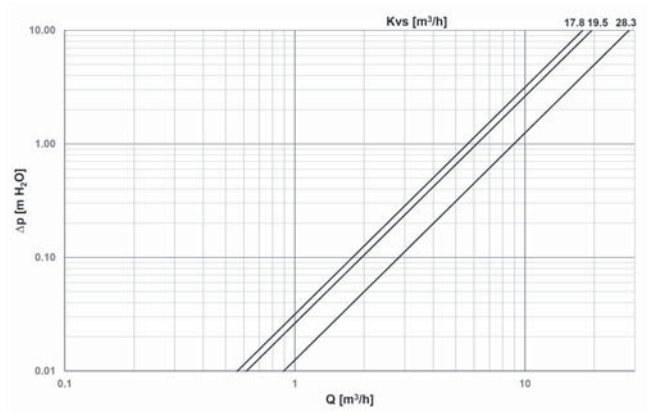
VALVE HOUSING	CW617N
VALVE SPINDLE	CW617N
VALVE BALL	chrome-plated brass
O-RINGS	EPDM, FPM

VALVE PRESSURE DROP

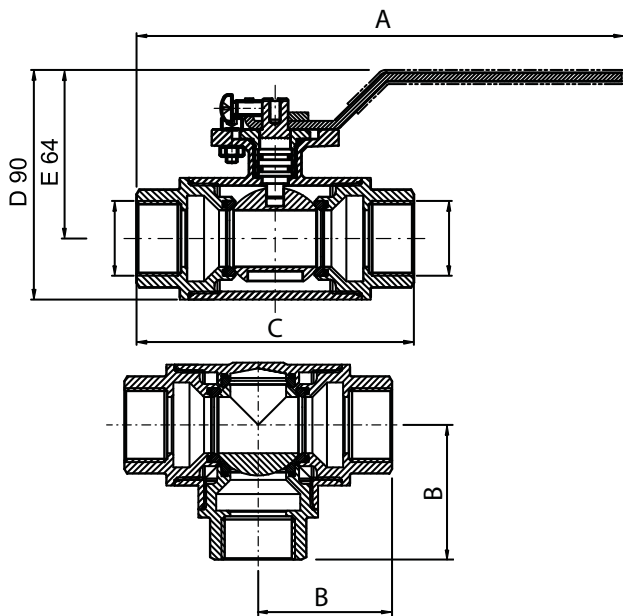
Pressure drop in perpendicular direction



Pressure drop in straight direction



DIMENSIONS AND TYPES



L-bore models		VZK M 320 L 3/4F	VZK M 320 L 1F	VZK M 325 L 1F	VZK M 325 L 5/4F	VZK M 325 L 6/4M
CONNECTIONS	--	3/4" F	1" F	1" F	5/4" F	6/4" M
A	mm	168	168	174	174	184
B	mm	50	50	52	52	64
C	mm	96	96	104	104	128
D	mm	80	80	90	90	90
E	mm	59	59	64	64	64
WEIGHT	kg	0.8	0.8	1.2	1.2	1.3
NOMINAL DIAMETER	DN	20	20	25	25	25
KVS PERPENDICULAR	m ³ /h	10.5	10.6	14.3	14.3	14.3
CODE	--	19841	19832	18860	18864	19002
T-bore models		VZK M 320 T 3/4F	VZK M 320 T 1F	VZK M 325 T 1F	VZK M 325 T 5/4F	VZK M 325 T 6/4M
CONNECTIONS	--	3/4" F	1" F	1" F	5/4" F	6/4" M
A	mm	168	168	174	174	184
B	mm	50	50	52	52	64
C	mm	96	96	104	104	128
D	mm	80	80	90	90	90
E	mm	59	59	64	64	64
WEIGHT	kg	0.8	0.8	1.2	1.2	1.3
NOMINAL DIAMETER	DN	20	20	25	25	25
KVS PERPENDICULAR	m ³ /h	10.5	10.6	14.3	14.3	14.3
KVS STRAIGHT	m ³ /h	17.8	19.5	28.3	28.3	28.3
CODE	--	19839	19834	18865	18867	19004