

## PROTECTION AGAINST BOILER CORROSION AND FOULING

### Load Valves with manual by-pass balancing



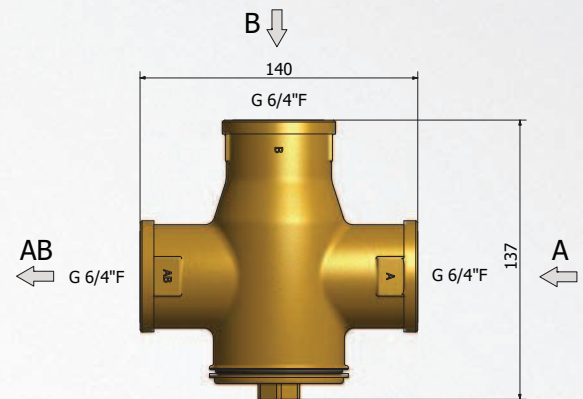
#### TSV6

#### Valves for return temperature control, with manual by-pass balancing

TSV load valves with manual by-pass adjustment mix cool return water from a heating system or thermal store with hot water from a boiler flow, **keeping boiler return water** (i.e. its heat transfer surfaces) at a temperature that will **not allow condensation to occur**. The boiler then works with higher efficiency and its service life is extended.

**Balancing of TSV6 valves needs to be performed manually using a balancing valve in the by-pass pipe.** Boiler manufacturer ATMOS recommends that these models of TSV valves are used with his boilers.

#### Dimensions



#### Versions

|                       | TSV6 65                | TSV6 72                |
|-----------------------|------------------------|------------------------|
| OPENING TEMPERATURE   | 65 °C                  | 72 °C                  |
| NOMINAL DIAMETER      | DN40                   | DN40                   |
| CONNECTION SIZE       | G 6/4" F               | G 6/4" F               |
| MAX. WORKING PRESSURE | 6 bar                  | 6 bar                  |
| $K_{vs}$ from A to AB | 13.3 m <sup>3</sup> /h | 13.3 m <sup>3</sup> /h |
| $K_{vs}$ from B to AB | 19.8 m <sup>3</sup> /h | 19.8 m <sup>3</sup> /h |
| WEIGHT                | 1.6 kg                 | 1.6 kg                 |
| CODE                  | 11 821                 | 16 060                 |

#### Connection in a system

