

PROTECTION AGAINST BOILER CORROSION AND FOULING

Load Valves with manual by-pass balancing



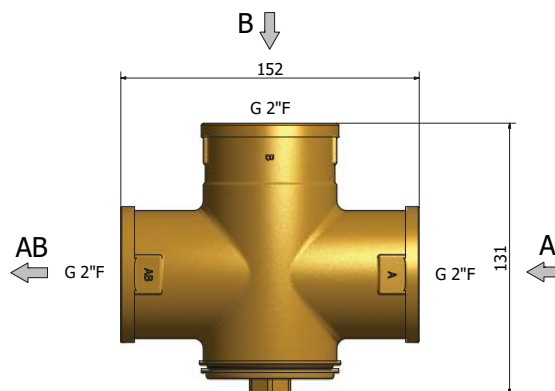
TSV8

Valves for return temperature control, with manual by-pass balancing

TSV load valves with manual by-pass adjustment mix cool return water from a heating system or thermal store with hot water from a boiler flow, **keeping boiler return water** (i.e. its heat transfer surfaces) at a temperature that **will not allow condensation to occur**. The boiler then works with higher efficiency and its service life is extended.

Balancing of TSV8 valves needs to be performed manually using a balancing valve in the by-pass pipe. Boiler manufacturer ATMOS recommends that these models of TSV valves are used with his boilers.

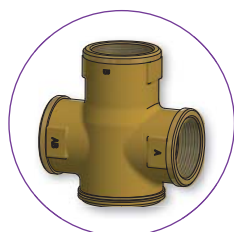
DIMENSIONS



VERSIONS

| | TSV8 65 | TSV8 72 |
|-----------------------|------------------------|------------------------|
| OPENING TEMPERATURE | 65 °C | 72 °C |
| NOMINAL DIAMETER | DN50 | DN50 |
| CONNECTION SIZE | G 2" F | G 2" F |
| MAX. WORKING PRESSURE | 6 bar | 6 bar |
| K_{vs} from A to AB | 15.8 m ³ /h | 15.8 m ³ /h |
| K_{vs} from B to AB | 27.4 m ³ /h | 27.4 m ³ /h |
| WEIGHT | 1.75 kg | 1.75 kg |
| CODE | 11819 | 16061 |

CONNECTION IN A SYSTEM



TSV valve



Balancing valve

