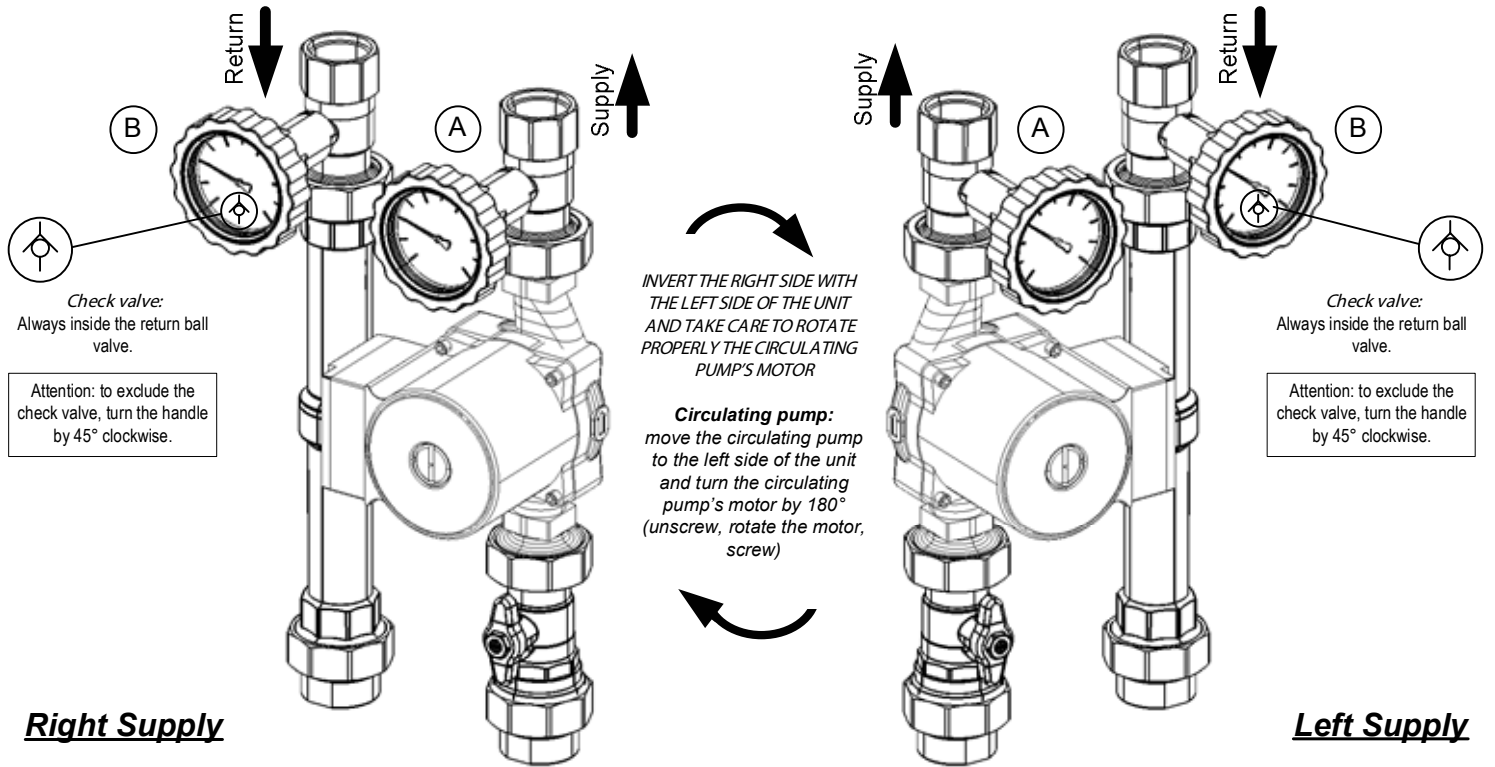
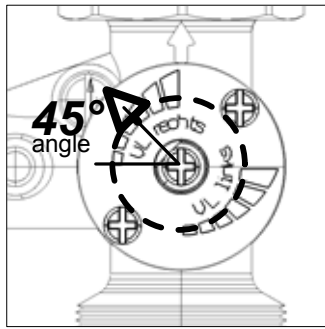


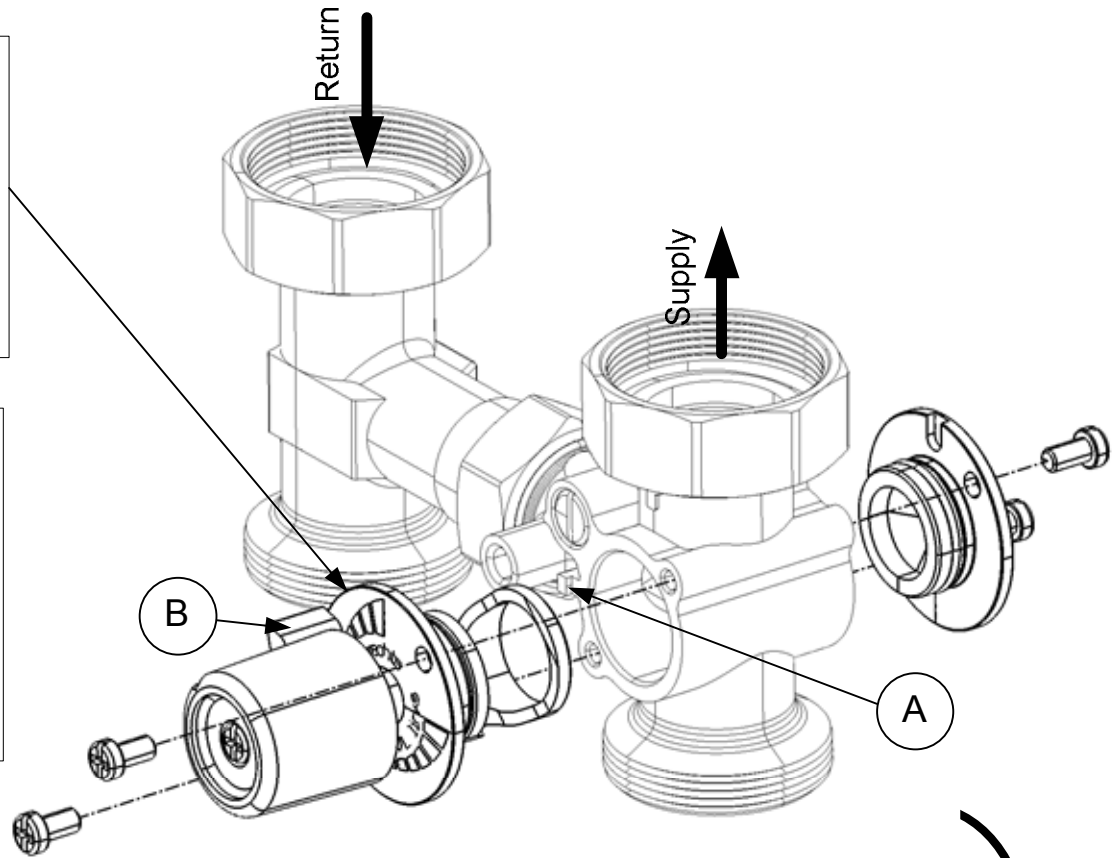
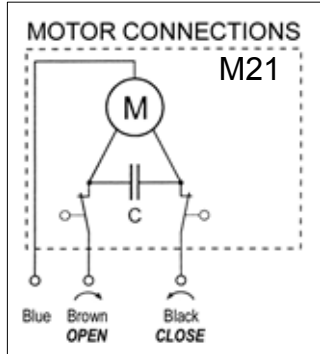
## Unit for connection to 1" circulating pumps

*Directions to invert the unit from the right supply to the left supply*

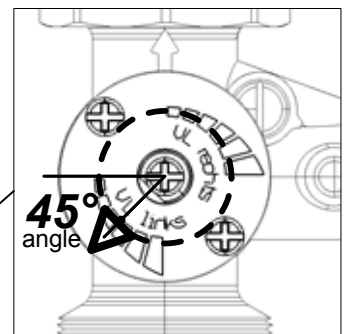
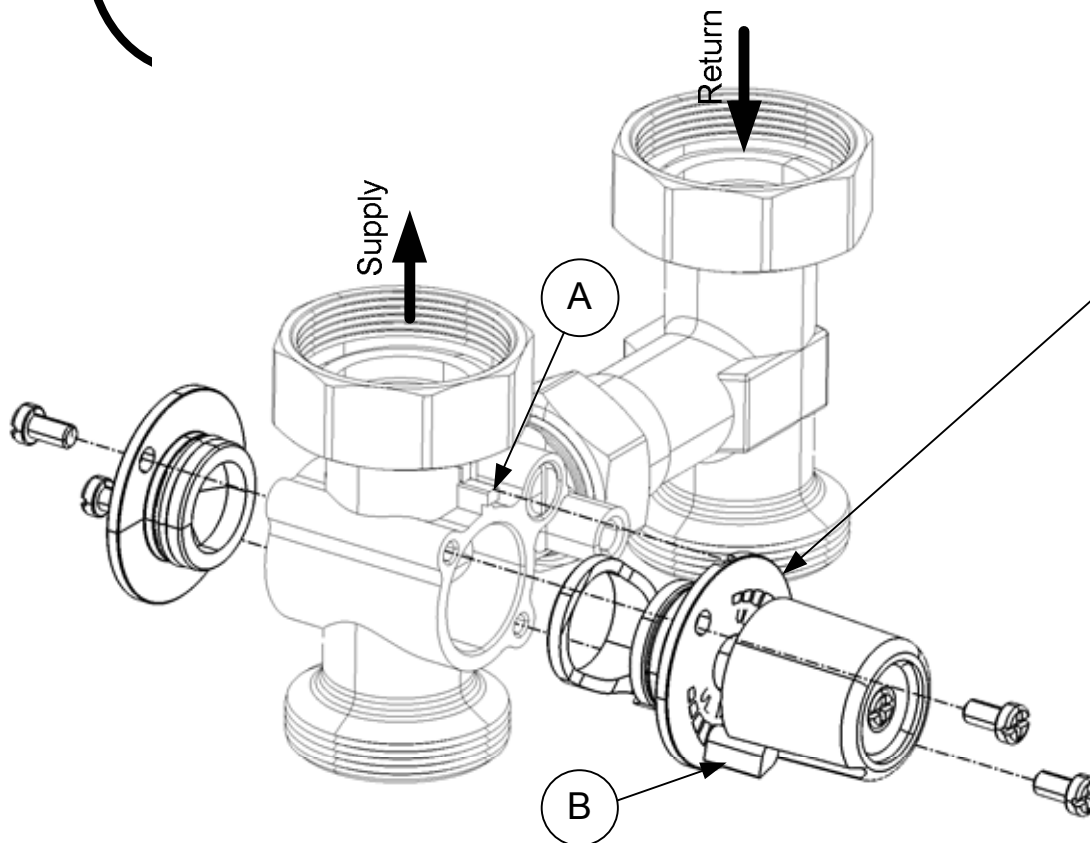




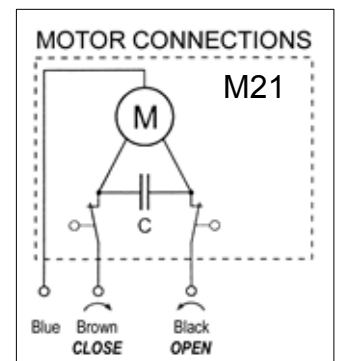
**Right Supply**



***Directions to invert the housing of the mixing valve:  
from the right supply into the left supply and vice versa.***



**Left Supply**



- (A)** - Take care to connect properly the lock of the body of the mixing valve (that locates the position of the cover-handle) to the groove of the plug-handle itself.
- (B)** - Put the handle with the indicator in the proper position:  
 Right supply put the indicator of the handle on the "rechts" marking. Left supply put the indicator of the handle on the "links" marking.  
 In both the positions be sure that the handle have been placed with an angle of 45°  
 After this operation keep off the handle without turning it and assemble the actuator using its mounting kit.