

Installation and Operation Instructions

DHW Tank Immersed in Thermal Store
**DUO 600/200 PR, DUO 750/200 PR, DUO 1000/200 PR and
DUO 1700/200 PR**



EN
v. 1.2

Regulus

CONTENTS

1 Description	3
1.1 Models	3
1.2 Tank protection	3
1.3 Thermal insulation	3
1.4 Packaging	3
2 General Information	3
3 Technical Data and Dimensions	4
4 Operation	8
5 Typical Layout Examples with Thermal Store	8
6 Installation and Commissioning	9
6.1 Connection to heat sources	9
6.2 Connection to a solar thermal system	9
6.3 Heating rod installation	9
6.4 Connection to water mains	10
6.5 Commissioning	10
7 Maintenance	10
8 Disposal	10
9 Warranty	10

1 - Description

DUO Thermal Stores are intended for accumulation and subsequent distribution of heat from various heat sources like solid-fuel fired boilers, heat pumps, solar thermal collectors, electric boilers etc. There is an immersed DHW tank integrated in the Thermal Store (tank in tank) for automatic DHW heating. The Thermal Store is divided by a separating metal sheet for better thermal stratification. The bottom section is fitted with a solar steel heat exchanger. The Thermal Store shall always be connected to a sealed heating circuit. In order to reach proper working of the tank, it is necessary to design optimum hydraulics of the whole system, i.e. position of circulation pumps for heat sources and heating circuits, valves, non-return valves etc. When more heat sources are combined, some intelligent controller should be used to control the heat sources and sinks, incl. the Thermal Store charging and discharging.

1.1 - Models

DUO 600/200 PR, DUO 750/200 PR, DUO 1000/200 PR and DUO 1700/200 PR models enabling installation of electric heating rods and other external heat sources.

1.2 - Tank protection

The inner surface of the DHW tank is enameled according to DIN 4753. Further improvement is ensured by a magnesium anode rod fitted in the DHW tank. The Thermal Store has no inner surface finish, its outer surface is lacquered.

1.3 - Thermal insulation

Thermal insulation is available as a separate item. For easier handling, the insulation shall not be fitted on the tank until it reaches its definite place of installation. The insulation is made of soft polyurethane foam, 100 mm thick, with PUR leather surface, and closes with a zipper.

1.4 - Packaging

Tanks are delivered standing, each screwed to its pallet, packed in bubble wrap. Tank and pallet are packed together in shrink film. It is forbidden to transport and/or store the storage tanks in a horizontal position.

2 - General Information

This Owners Manual is an integral and important part of the product and must be handed over to the User. Read carefully the instructions in this Manual as they contain important information concerning safety, installation, operation and maintenance. Keep this Manual for later reference. The appliance shall be installed by qualified staff according to valid rules and Manufacturer's Instructions.

This appliance is designed to accumulate heating water and distribute it subsequently. It shall be connected to a heating system and heat sources. This appliance is also suitable for accumulator heating of domestic hot water.

Using the Thermal Store for other purposes than above described is forbidden and the manufacturer accepts no responsibility for damage caused by improper or wrong use or filling procedure.

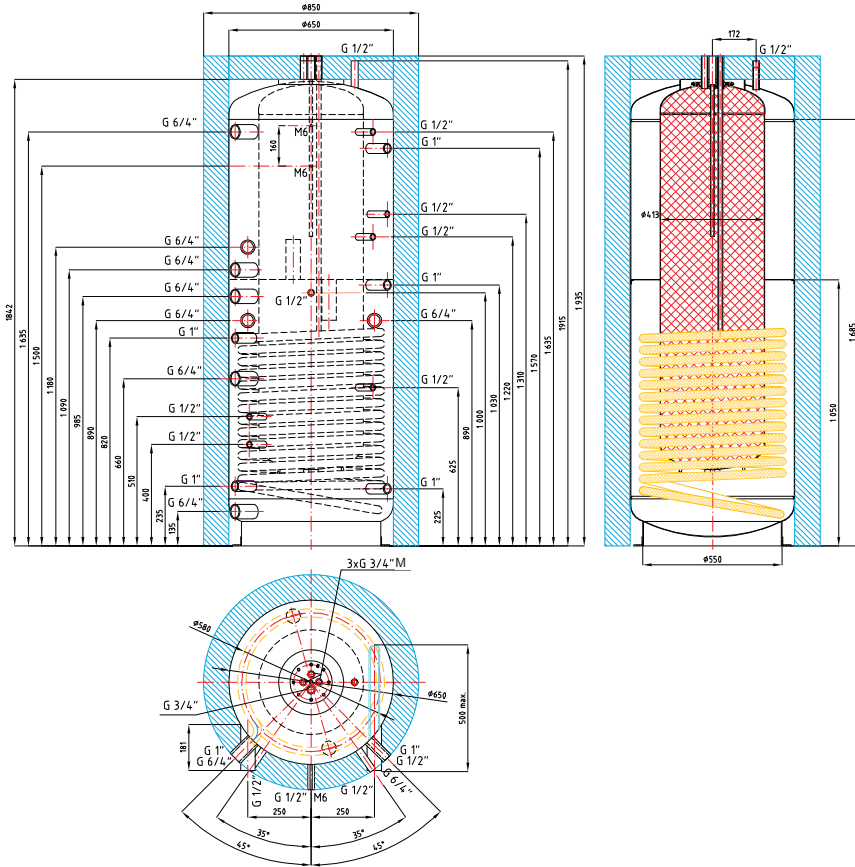
Before filling the thermal store, fill and pressurize the inner DHW tank first!!!

3 - Technical Data and Dimensions Regulus DUO PR

Thermal Store

Regulus DUO 600/200 PR

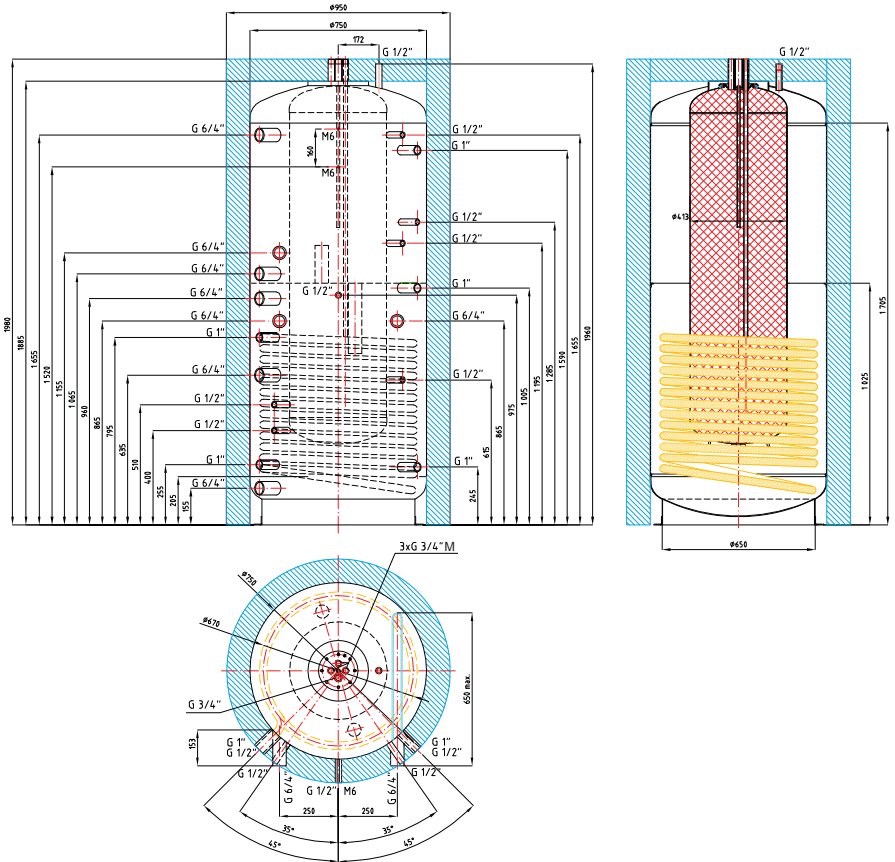
code: 14219 insulation - code: 15029



Total fluid volume in tank:	559 l
Fluid volume in the inner DHW tank:	192 l
Fluid volume in Thermal Store:	354 l
Fluid volume in heat exchanger:	8,0 l
Heat exchanger surface area:	2,4 sqm
Max. working temperature in tank:	95 °C
Max. working temperature in heat exchanger:	95 °C
Max. working temperature in DHW tank:	95 °C
Max. working pressure in tank:	3 bar
Max. working pressure in heat exchanger:	10 bar
Max. working pressure in DHW tank:	10 bar
Empty weight:	138 kg
Tipping height without insulation:	1970 mm

Thermal Store
Regulus DUO 750/200 PR

code: 14222 insulation - code: 15032

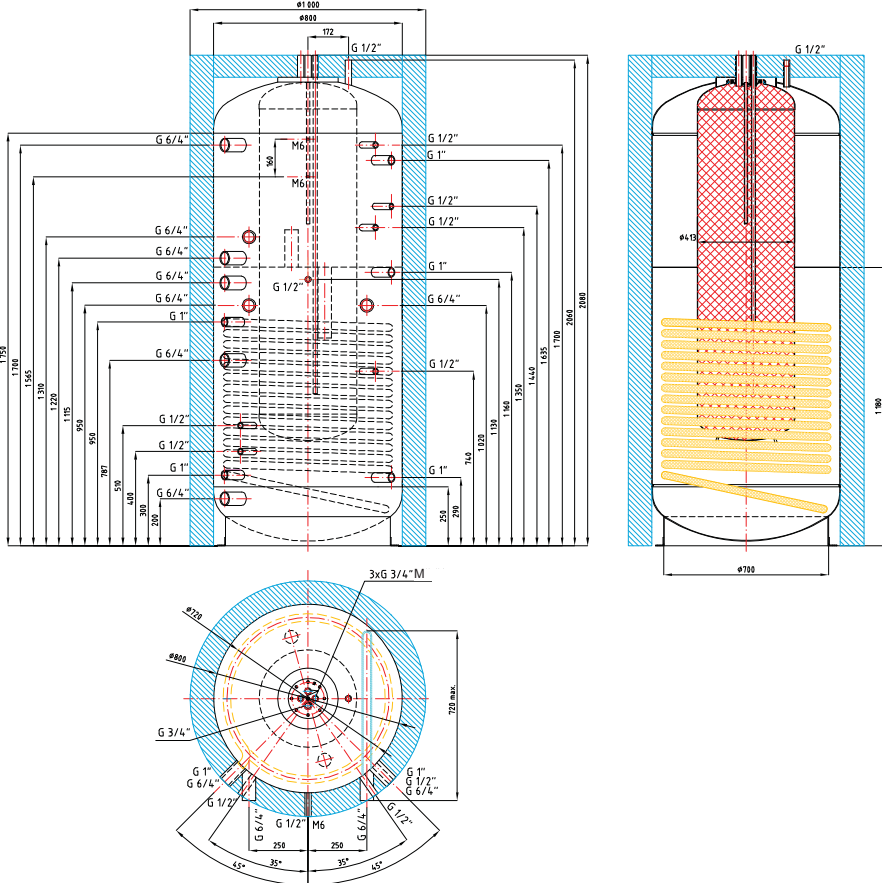


Total fluid volume in tank:	757l
Fluid volume in the inner DHW tank:	192l
Fluid volume in Thermal Store:	551l
Fluid volume in heat exchanger:	14,0l
Heat exchanger surface area:	2,5 sqm
Max. working temperature in tank:	95 °C
Max. working temperature in heat exchanger:	95 °C
Max. working temperature in DHW tank:	95 °C
Max. working pressure in tank:	3 bar
Max. working pressure in heat exchanger:	10 bar
Max. working pressure in DHW tank:	10 bar
Empty weight:	161 kg
Tipping height without insulation:	1990 mm

Thermal Store

Regulus DUO 1000/200 PR

code: 14125 insulation - code: 15035

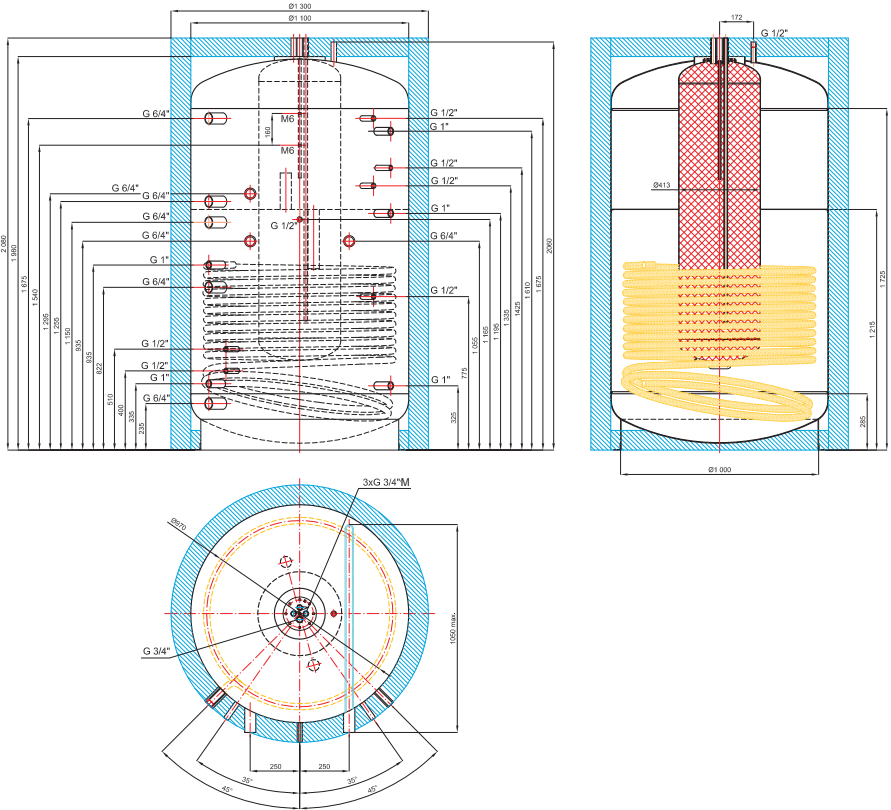


Total fluid volume in tank:	9031
Fluid volume in the inner DHW tank:	1921
Fluid volume in Thermal Store:	6931
Fluid volume in heat exchanger:	18,01
Heat exchanger surface area:	3,2 sqm
Max. working temperature in tank:	95 °C
Max. working temperature in heat exchanger:	95 °C
Max. working temperature in DHW tank:	95 °C
Max. working pressure in tank:	3 bar
Max. working pressure in heat exchanger:	10 bar
Max. working pressure in DHW tank:	10 bar
Empty weight:	184 kg
Tipping height without insulation:	2120 mm

Thermal Store

Regulus DUO 1700/200 PR

code: 14228 insulation - code: 15038



Total fluid volume in tank:	1670 l
Fluid volume in the inner DHW tank:	190 l
Fluid volume in Thermal Store:	1458 l
Fluid volume in heat exchanger:	22,0 l
Heat exchanger surface area:	4,0 sqm
Max. working temperature in tank:	95 °C
Max. working temperature in heat exchanger:	95 °C
Max. working temperature in DHW tank:	95 °C
Max. working pressure in tank:	3 bar
Max. working pressure in heat exchanger:	10 bar
Max. working pressure in DHW tank:	10 bar
Empty weight:	287 kg
Tipping height without insulation:	2200 mm

4 - Operation

This Thermal Store is designed to heat water and accumulate heat for space heating in domestic or industrial applications, however always in sealed pressure circuits with forced circulation. In the thermal store, heating water is heated up from several heat sources like various types of hot-water boilers, renewable energy sources (heat pumps, solar thermal collectors), or electric heating elements.

The immersed DHW tank is heated from heating water inside the Thermal Store. The immersed DHW tank shall be connected to cold and hot water with threaded fittings. When hot water is drawn from an outlet point, cold water flows into the immersed tank and heats up from the heating water in the thermal store to the temperature set by the thermostat placed in the DHW tank sheath. Hot water temperature should be set to 60-65 °C. This temperature guarantees the best operation and at the same time, it prevents formation of Legionella bacteria.

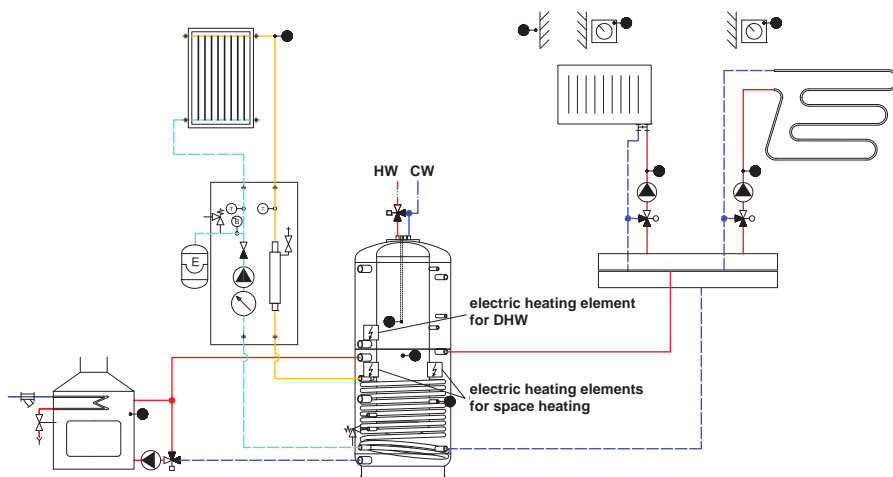
The Thermal Store shall be connected to a heat source through G 1" threaded fittings. A solar thermal system connects to the connection points of the heating coil through G 1" threaded fittings. Individual connection points are assigned according to the circuits to be connected. There is a wide choice of combinations.

Table of limit values for total dissolved solids in hot water.

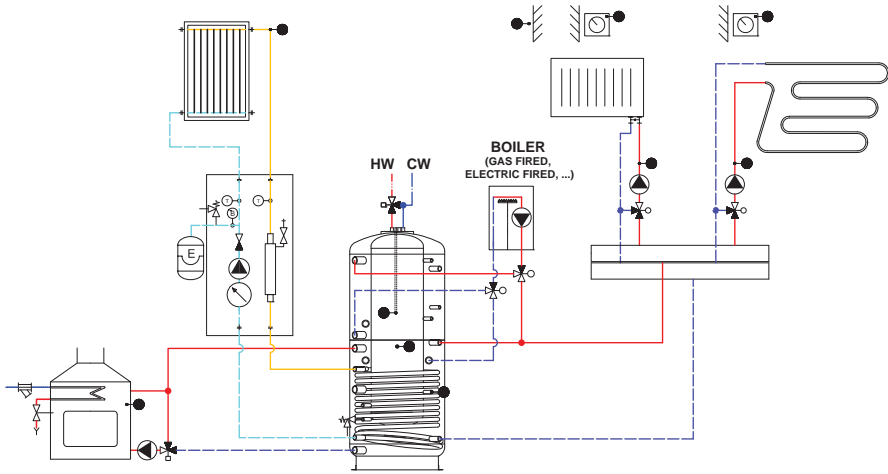
Description	pH	Total dissolved solids (TDS)	Ca	Chlorides	Mg	Na	Fe
Max. value	6.5 - 9.5	600 mg/l	40 mg/l	100 mg/l	20 mg/l	200 mg/l	0,2 mg/l

5 - Typical Layout Examples with Thermal Store

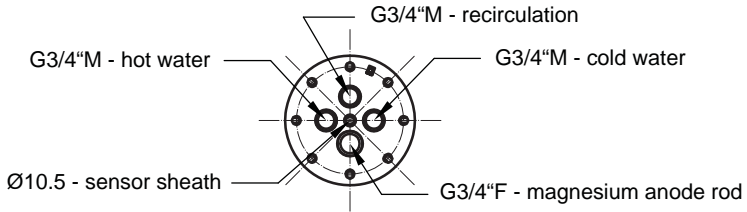
Hydraulic variant 1: Solar space heating support kit, combined with electric heating elements and a fire.



Hydraulic variant 2: Solar space heating support kit, combined with a switched boiler (gas fired, electric fired..) and a fire.



FLANGE CONNECTION DETAIL



6 - Installation and Commissioning

Installation shall meet valid rules and may be done by qualified staff only.

Installation of an el. heating rod may be done by qualified staff only.

Defects caused by improper installation, use or handling are not covered by warranty.

6.1 - Connection to heat sources

Place the tank on the floor, as close to your heat source as possible. Connect the heating circuits to inlets and outlets respecting the thermal stratification in the tank. Install a drain valve at the lowest point of the tank. Install an air vent valve at the highest point of the system. Insulate all the connection piping.

6.2 - Connection to a solar thermal system

The tank can be used with a solar system. In such a case, the inlet for hot heat-carrying liquid coming from the solar thermal system shall be connected to the G 1" upper sleeve of the heating coil. The lower G 1" heating coil outlet shall be connected to the return solar piping through which cooled solar fluid returns to solar collectors. Insulate meticulously all the piping between the tank and the solar thermal system.

6.3 - Heating rod installation

The G 6/4" side sleeves are designed to accommodate electric heating rods. They can be connected either directly to the mains (thermostat-equipped rods), or to a heating system controller. The installation may be done by qualified staff only.

Warning: Electric heating elements shall be protected by a safety thermostat.

6.4 - Connection to water mains

DHW piping shall be done according to valid rules. Installation of a pressure reducing valve on the immersed tank inlet is recommended. For water mains pressure above 6 bar a pressure reducing valve is necessary. In order to prevent water loss, installation of a min. 8l expansion vessel is recommended at the cold water inlet to the immersed tank. Expansion vessel installation is one of the essential preconditions for warranty extension. Should the water be too hard, install a water softener before the tank. In case the water contains mechanical impurities, install a strainer.

6.5 - Commissioning

The DHW tank must be filled and pressurized prior to filling the thermal store. Filling heating water first would cause damage to the protective layer of the DHW tank!!!

Fill the heating circuits with the appropriate fluids and air-bleed the entire system. Check all connections for leaks and verify the system pressure. The quality of top-up and heating water is set by ČSN 07 7401:1992.

Hot water quality must meet the conditions shown in the Table of limit values for total dissolved solids in hot water, page 7 of this Manual.

Fill the heating circuits with the appropriate fluids and air-bleed the entire system. Check all connections for leaks and verify the system pressure. Set the heating controller in compliance with the documentation and manufacturer's recommendations. Check regularly the proper function of all control and adjustment elements.

7 - Maintenance

If the tank is fitted with a heating element, disconnect it from the mains first. Clean the exterior of the tank with a soft cloth and a mild detergent. Never use abrasive cleaners or solvents.

Check all connections for leaks.

The tanks are equipped with an anti-corrosion sacrifice magnesium anode rod. The anode rod shall be checked within 12 months after commissioning and subsequently always not later than 12 months after the last check. In locations where water contains more ferrites or calcites, it is recommended to check the anode every 6 months. If more than one third of its total volume is consumed, the anode shall be replaced with a new one. Disregarded of its state, the anode rod shall be replaced with a new one within 24 months from commissioning.

In order to replace a magnesium anode rod, decrease the pressure inside the Thermal Store to the atmospheric value first, then the pressure inside the hot water tank. Replace the anode rod and pressurize the inner hot water tank first, then pressurize the Thermal Store.

If damage to a tank occurs due to the neglected substitution or a wrong replacement procedure of a magnesium anode rod, the warranty cannot be claimed.

8 - Disposal

Packaging shall be disposed of in compliance with the valid rules. When the product reaches the end of its life, it shall not be disposed of as household waste. It shall be dropped off at a Local Waste Recycling Center. Insulation shall be recycled as plastic and the steel vessel as scrap iron.

9 - Warranty

This product is covered by warranty according to the conditions described in this Manual and according to the Warranty Certificate. A Warranty Certificate forms an integral part of the supply. Tank transport or storing in a horizontal position is considered a warranty violation!

06/2016



REGULUS spol. s r.o.

Do Koutů 1897/3

143 00 Praha 4

CZECH REPUBLIC

<http://www.regulus.eu>

E-mail: sales@regulus.cz