

Regulus

www.regulus.eu



VZK-S 3xx-230-2P

Installation and Operation Manual
3-WAY BALL VALVE WITH ACTUATOR
VZK-S 3xx-230-2P

EN

VZK-S 3xx-230-2P

1. INTRODUCTION

The 3-point control valve with actuator is intended as a zone valve for heating and solar thermal systems. During shifting, the valve does not interrupt the fluid flow through the joint valve neck. It cannot be used in systems with gravity circulation. It can be used in connection with any controller that is fitted with two 230 V switching contacts for separate switching the valve to the left / right. The controller must not close both these contacts at the same time. In case of a controller failure, the actuator can be operated manually. The actuator can be removed without the necessity to dismount the valve. The actuator is fastened to the valve by four M5 nuts (#8 spanner). Available variants and their codes are shown in the table below:

Code	11286	11287
Designation	VZK-S-320-230-2P	VZK-S-325-230-2P
Connection	3 x G 3/4" F	3 x G 1" F
Kvs	13.1 m ³ /h	14.3 m ³ /h
Weight	1.6 kg	1.7 kg

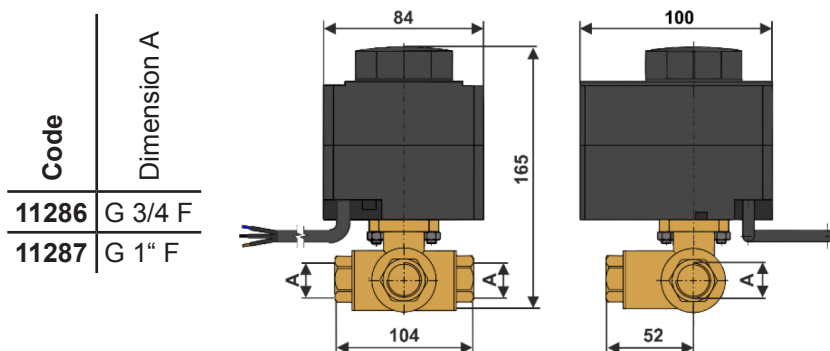
2. PARAMETERS

Technical Data	
Max. working pressure	16 bar
Max. fluid working temperature	110 °C
Shift time	60 s
Opening angle	90°
Ambient working temperature	0° to 40 °C
Max. pressure difference	10 bar

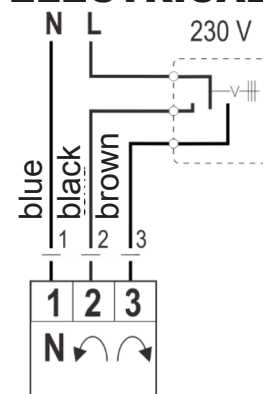
Electric data	
Power supply	230 V 50 Hz
Max. power consumption	4 VA
Torque	5 Nm
IP rating	IP42
Protection class	II
Power cable cross section area	3 x 0.5 mm ²
Power cable length	2 m

Materials	
Valve housing	Brass CW617N
Valve spindle	nickel-plated brass
Valve ball	chrome-plated brass
O-rings	FPM
Gasket	PTFE
Power cable	PVC

3. DIMENSIONS



4. ELECTRICAL WIRING



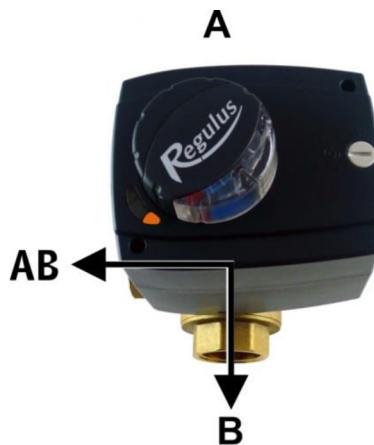
5. VALVE POSITION

When the brown wire (marked 3) is energized, the actuator rotates clockwise (opening path A-AB), when the black wire (marked 2) is energized, the actuator rotates anti-clockwise (opening path B-AB).

**Brown wire energized:
The indicator is red**



**Black wire energized:
The indicator is blue**



7. INSTALLATION

For permitted installation positions see the pic. below.

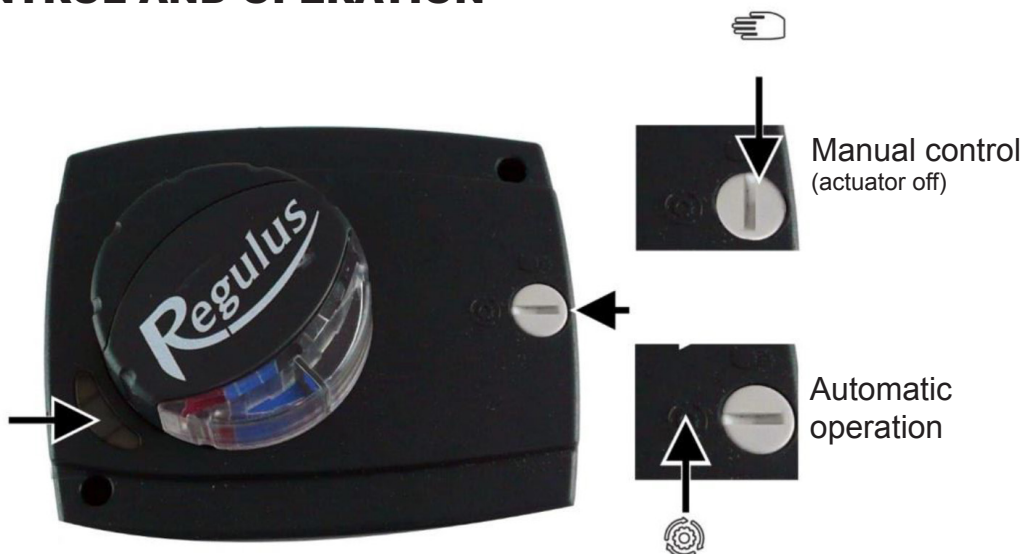


8. ACTUATOR CONTROL AND OPERATION

Left rotation
(anti-clockwise)



Right rotation
(clockwise)



WARRANTY CERTIFICATE

3-way ball valve with actuator

VZK-S 3xx– 230–2P

Seller: Date of Purchase:

WARRANTY CONDITIONS

1. The Seller grants the Buyer a Guarantee period of 24 months from the date of purchase.
2. The product will be installed and commissioned by a competent company or a person trained by the manufacturer
3. When claiming warranty, this Warranty Certificate must be submitted together with the purchase receipt.
4. The warranty is valid only when the technical conditions set by the Manufacturer, installation manual and instructions in the documentation and on the product itself are maintained.
5. The warranty does not cover defects caused by external conditions or improper working conditions, defects caused by normal wear and tear, further when the product is not used in compliance with its purpose and when the defect was caused by mechanical damage to the product, improper handling, tampering by a third person, improper installation, improper stocking, natural disaster etc.

COMMISSIONED BY

Company:

Date:

Rubber stamp print and signature of the installer: