

DATA SHEET

CSE OTS MFB+ZV G Pump Station

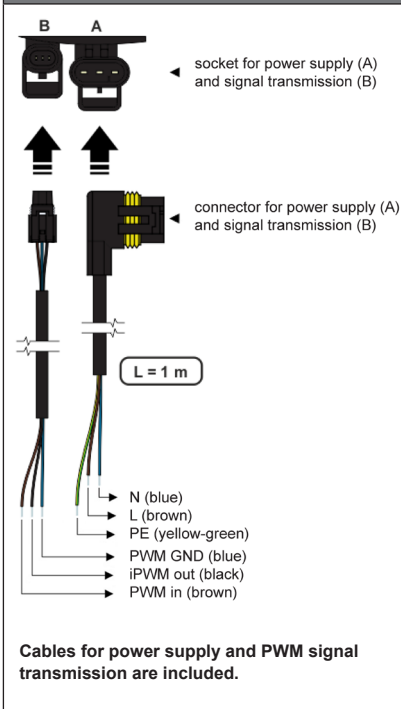


Main Features	
Application	Heating system flow.
Description	Consists of UPM3 FLEX AS 25-75 130 mm pump (control possible either by PWM signal or by selecting a pump performance curve), ball valve w. non-return valve, ball valve w. strainer and magnet, thermometer, insulation.
Working fluid	Water; water-glycol mixture (max. 1:1) or water-glycerine mixture (max. 2:1).
Installation	Flow pipe, min. pipe centre distance from wall = 100 mm.
Code	17922

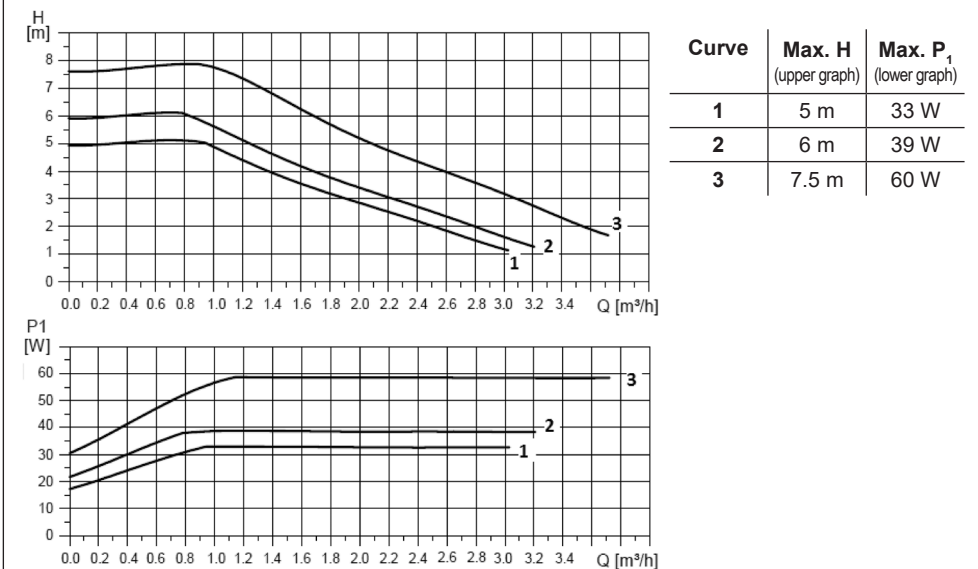
Data for CSE OTS KKMFB+ZV G Pump Station

Fluid working temperature	5–95 °C
Max. working pressure	10 bar
Min. working pressure	0.5 bar
Ambient temperature	5–40 °C
Max. relative humidity	80 %, non condensing
Power supply	230 V, 50 Hz
Insulation material	EPP RG 60 g/l
Overall dimensions	345 x 140 x 150 mm
Total weight	3.6 kg
Connections	2 x G 1" F

UPM3 FLEX AS 25-75 Pump Connection



Performance Curves for UPM3 FLEX AS 25-75 Pump



DATA SHEET**CSE OTS MFB+ZV G Pump Station****Pressure drop graph**