


CSE SOL G SRS1 T-K Solar Pump Station

v1.0_07/2021

	Main Features	
	Application	<p>A 2-3 kW electric heating element can be connected to the pump station for backup heat. For this purpose, the pump station is equipped with a dedicated electrical socket. The heating element is not included in supply.</p> <p>The SRS1 controller is equipped with a potential-free contact that can be used to switch, for example, gas boilers or other switched heat sources that are ready for this type of control. For this purpose, a cable with a special terminal can be used that is simply plugged into the pump station.</p>
	Description	<p>The pump station consist of a UPM3 Hybrid 25-70 pump, SRS1 T controller, check and safety valves, 2 ball valves, pressure gauge, thermometer, el. wiring, insulation and installation kit. After the control element with end stops is removed and the gland nut released, the ball valves enable easy replacement of O-rings without the need of draining the solar thermal system.</p> <p>The pump station further involves:</p> <ul style="list-style-type: none"> • outlet for expansion vessel connection • outlet from safety valve, incl. extension piping led below the pump station for an easy connection • solar thermal system filling, draining and topping-up valves • connected 2 temperat. sensor for a consumer (4 m cable) • solar temperature sensor (2 m cable) • cable with a special connector for connecting a gas boiler or another switched source (cable length 4 m) • 230 V power supply cable w. el. plug (3 m long, 3 x 1,5 mm² cross section)
	Installation	on a tank or wall using the installation kit
	Working fluid	water-glycol mixture (max. 1:1)
	Code	<p>18971 - G 3/4" M connection</p> <p>18966 - G 1" M connection</p>

Pump Station Data	
Max. fluid working temperature	110 °C
Max. working pressure	6 bar
Min. system pressure	1.3 bar with the pump stopped
Max. switched current	13 A / 230 V
Power supply	230 V, 50 Hz
Ambient temperature	5-40 °C
Max. relative humidity	85% at 25 °C
Insulation material	EPP RG 60 g/l
IP rating	IP20
Overall dimensions	470 x 265 x 120 mm
Total weight	6.8 kg

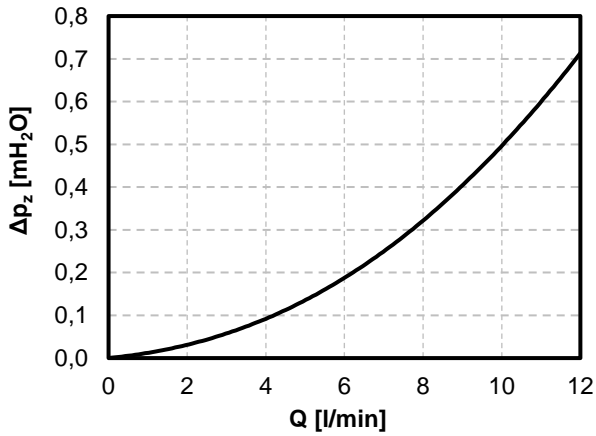
Accessories	
Code 7629	pipe union Cu 22 x Cu 22, straight, to connect a waste pipe to the safety valve
Code 13695	pipe union Cu 22 x G 3/4" M, straight, to connect a waste pipe to the safety valve

CSE SOL G SRS1 T-K Solar Pump Station

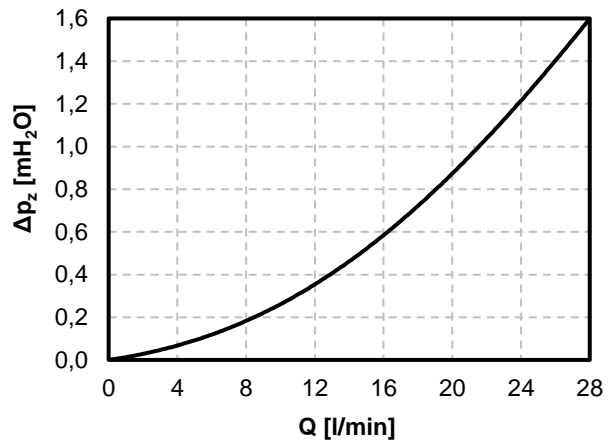
v1.0_07/2021

Pump Station Pressure Drop Graph

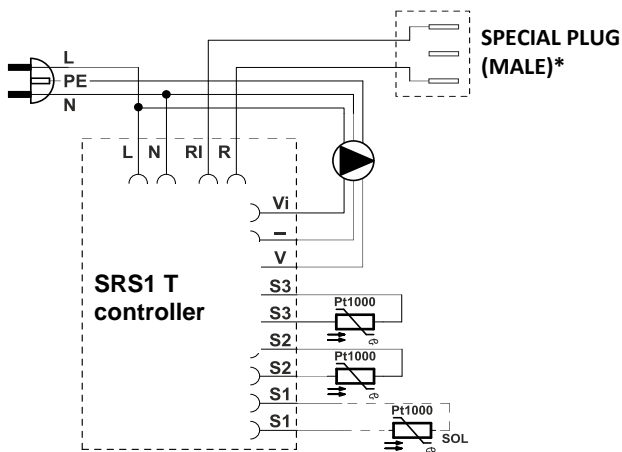
- with flowmeter 2-12 l/min



- with flowmeter 8-28 l/min



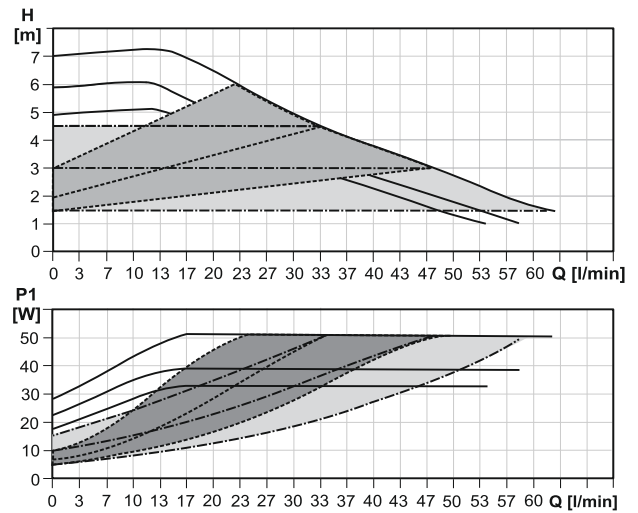
Internal Wiring



- L live
- N neutral
- RI, R potential-free switching contact
- Vi iPWM signal input
- GND PWM
- V PWM signal output
- S3 sensor 3 (backup heat)
- S2 sensor 2 (solar consumer)
- S1 sensor 1 (collector)

* in the pump station, to connect a switched heat source

Pump Performance Curves



- Constant speed
- Variable pressure
- · · Constant pressure