

**DUO 390/130 P Thermal store with immersed DHW tank**

Main features	
Application	storage of thermal energy for DHW and space heating
Description	combination Thermal Store with immersed DHW tank; a tight separating sheet increases seasonal performance factor of a heat pump
Working fluid	water, water/glycol mixture (max. 1:1) or water/glycerine mixture (max. 2:1) (thermal store), water (immersed DHW tank)

**DUO 390/130 P**



**DUO 390/130 P with insulation**



Code	
Thermal store	<b>14071</b>
Insulation	<b>16295</b>

Energy Efficiency Data (as per EC Regulation No. 812/2013)	
	<b>DUO 390/130 P with insulation</b>
Energy efficiency class	C
Standing loss	89 W
Storage volume	386 l

Technical data	
Total volume	386 l
Fluid volume in thermal store	263 l
Immersed DHW tank volume	123 l
Max. working temp. in thermal store	95 °C
Max. working temp. in DHW tank	95 °C
Max. working pressure in thermal store	3 bar
Max. working pressure in DHW tank	6 bar

Materials	
Thermal store material	S235JR
DHW tank material	DC01EK

Insulation materials	
Tank perimeter insulation	fleece
Perimeter insulation's outer surface	PU leather
Top and bottom tank insulation	fleece

Dimensions, tipping height, insulation thickness, weight	
Tank diameter	550 mm
Tank diameter with insulation	750 mm
Tank overall height	1910 mm
Tipping height without insulation	1950 mm
Tank perimeter insulation thickness	100 mm
Bottom insulation thickness	50 mm
Top insulations thickness	120 mm
Empty weight without insulation	107 kg

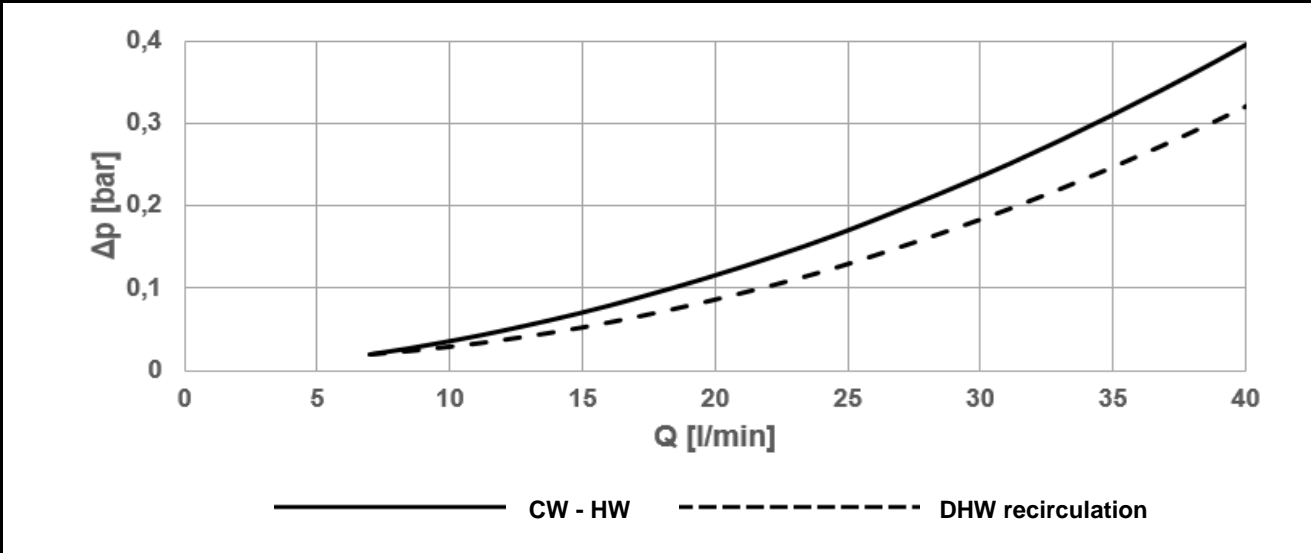
Accessories	
El. heating elements	models ETT-C, F, L, M
Heating elements max. lenght / output	4 x 500 mm / 4 x 5 kW
Pump station	solar, S1 and S2 models
Plate heat exchangers	kits with DV and accessories for connection to a solar pump station
Electronic anode rod	code 13 793
Expansion vessel (drinking water)	model HW 8 l and bigger

Spare parts	
Magnesium anode rod	code 13 959

**DUO 390/130 P Thermal store with immersed DHW tank**

Volume of supplied DHW (heated from 10 °C to 40 °C)												
Heated volume	entire			entire			entire			above baffle		
Temperature in tank	60 °C			60 °C			80 °C			60 °C		
Backup heater	10 kW			none			none			10 kW		
Flow rate [l/min]	8	12	20	8	12	20	8	12	20	8	12	20
Hot water volume [l]	325	219	175	267	230	195	543	511	392	152	132	124

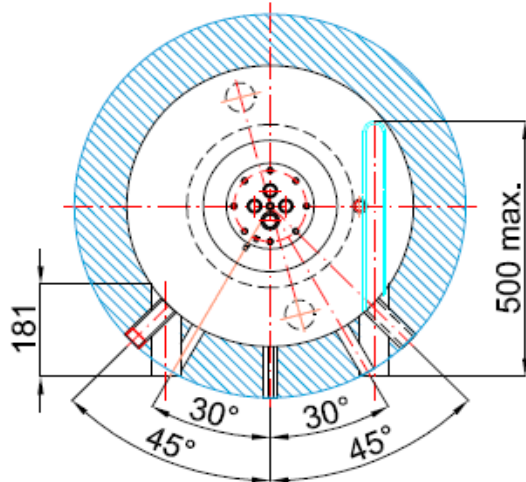
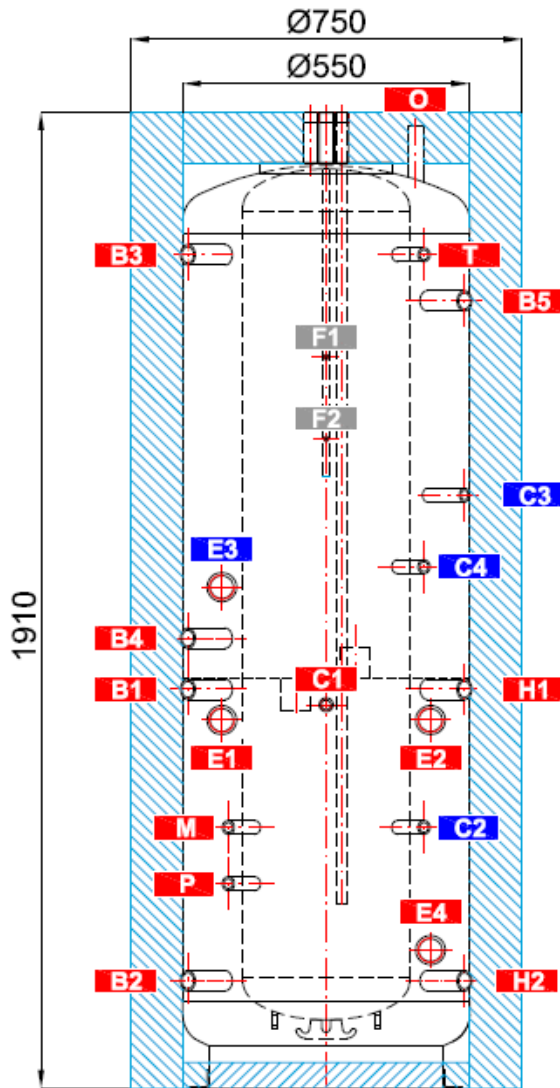
**Pressure drop vs. flow rate graph**



**DUO 390/130 P Thermal store with immersed DHW tank**

**Dimensions**

Tipping height without insulation 1950 mm.



**TAPPINGS**

pos.	connection	height [mm]
<b>Heat sources</b>		
B1	G 1" F	780
B2	G 1" F	210
B3	G 1" F	1630
B4	G 1" F	880
B5	G 1" F	1540
B6	-	-
<b>Heating system</b>		
H1	G 1" F	780
H2	G 1" F	210
<b>Electric immersion heaters</b>		
E1	G 6/4" F	720
E2	G 6/4" F	720
E3	G 6/4" F	980
E4	G 6/4" F	270
<b>DHW heating</b>		
W1	G 3/4" M	1910
W2	G 3/4" M	1910
W3	G 3/4" M	1910
N	G 3/4" F	1810
<b>Control and safety</b>		
C1	G 1/2" F	750
C2	G 1/2" F	510
C3	G 1/2" F	1160
C4	G 1/2" F	1020
C5	Ø 10,5 mm	1910
T	G 1/2" F	1630
M	G 1/2" F	510
P	G 1/2" F	400
<b>Air release</b>		
O	G 1/2" F	1885
<b>Pump station support</b>		
F1	M 6	1430
F2	M 6	1270

**UPPER FLANGE DETAIL**

