

## DATA SHEET

### DUO 600/200 N P Thermal Store with immersed DHW tank



Main Features	
Application	Storage of thermal energy for DHW and space heating.
Description	Combination Thermal Store with immersed stainless steel DHW tank; a tight separating plate increases seasonal performance factor of a heat pump.
Working fluid	Water, water/glycol mixture (max. 1:1) or water/glycerine mixture (max. 2:1) (thermal store), water (immersed DHW tank).
Thermal store Code	<b>19147</b>
Insulation Code	<b>19330</b>

Energy Efficiency Data (as per EC Regulation No. 812/2013)	
<b>with insulation</b>	
Energy efficiency class	N/A
Standing loss	102 W
Storage volume	559 l

Technical Data	
Total volume	559 l
Fluid volume in thermal store	385 l
Immersed DHW tank volume	174 l
Max. working temp. in thermal store	95 °C
Max. working temp. in DHW tank	95 °C
Max. working pressure in thermal store	3 bar
Max. working pressure in DHW tank	6 bar

Materials	
Thermal store material	S235JR
DHW tank material	AISI 304
Tank perimeter insulation	fleece
Perimeter insulation's outer surface	PU leather
Top and bottom tank insulation	fleece

Dimensions, tipping height, insulation thickness, weight	
Tank diameter	650 mm
Tank diameter with insulation	850 mm
Tank overall height	1935 mm
Tipping height without insulation	1970 mm
Tank perimeter insulation thickness	100 mm
Bottom insulation thickness	50 mm
Top insulations thickness	120 mm
Empty weight without insulation	126 kg

Accessories	
El. heating elements	types ETT-C, F, M, P
Heating elements max. length	3 x 500 mm into E1–E3 connections, 700 mm into E4 connection
Electronic anode rod	code 13793
Expansion vessel (drinking water)	type HW 8 l and larger

Spare Parts	
Magnesium anode rod	code 19152

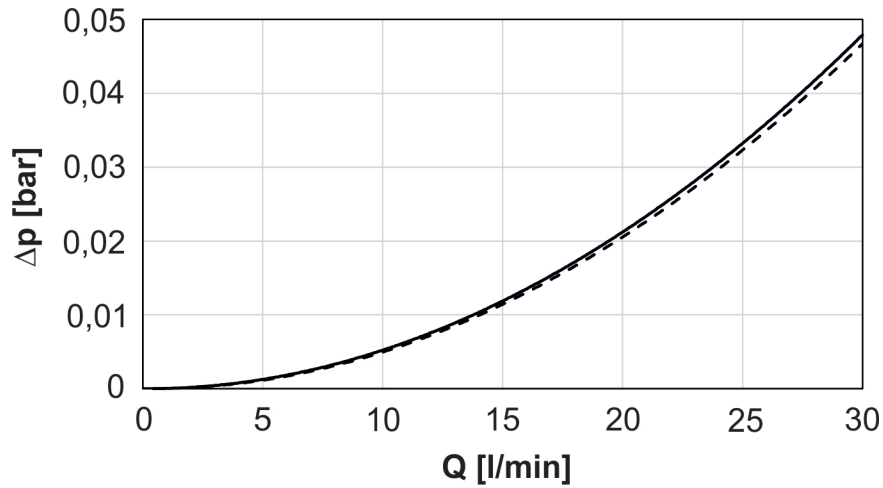
## DATA SHEET

### DUO 600/200 N P Thermal Store with immersed DHW tank

#### Volume of supplied DHW (heated from 10 °C to 40 °C)

Heated volume	entire			entire			above separating plate			entire		
Temperature in tank	60 °C			60 °C			60 °C			80 °C		
Backup heater	10 kW			none			10 kW			none		
Flow rate [l/min]	8	12	20	8	12	20	8	12	20	8	12	20
<b>Hot water volume [l]</b>	<b>526</b>	<b>397</b>	<b>292</b>	<b>457</b>	<b>384</b>	<b>319</b>	<b>267</b>	<b>237</b>	<b>212</b>	<b>766</b>	<b>689</b>	<b>571</b>

#### Graph of pressure drop versus flow in the DHW tank



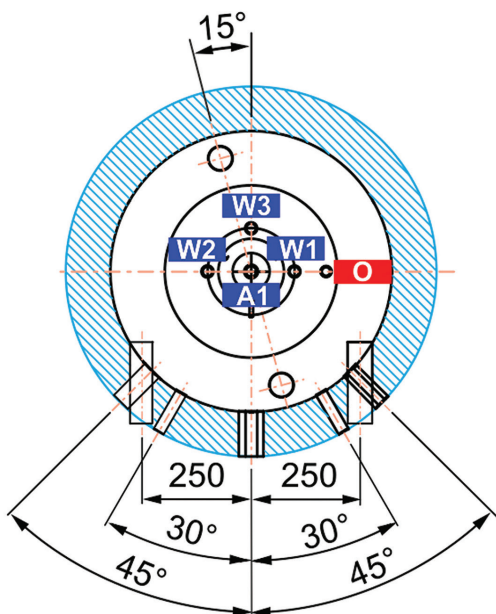
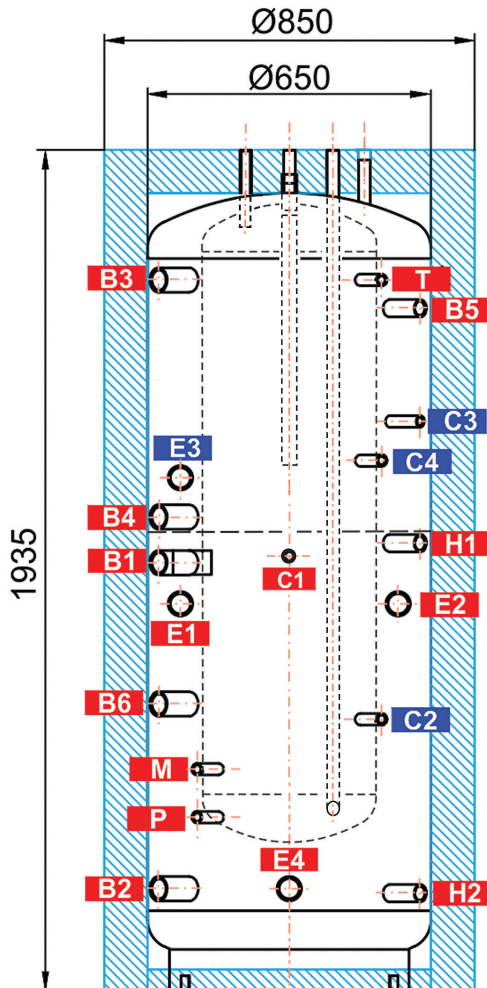
CW - HW
  DHW RECIRCULATION

# DATA SHEET

## DUO 600/200 N P Thermal Store with immersed DHW tank

### Dimensions

Tipping height without insulation 1970 mm



### CONNECTIONS

pos.	descriptions	connection	height [mm]
<b>Heat sources</b>			
B1	Incoming from heat source	G 6/4" F	985
B2	Return to heat source	G 6/4" F	235
B3	Incoming from heat source	G 6/4" F	1635
B4	Return to heat source	G 6/4" F	1090
B5	Incoming from heat source	G 1" F	1570
B6	Incoming from heat source	G 6/4" F	660
<b>Heating system</b>			
H1	Outlet to the heating circuit	G 1" F	1030
H2	Returnable from the heating circuit	G 1" F	225
<b>Electric heating elements</b>			
E1	Electric heating element for space heating	G 6/4" F	890
E2	Electric heating element for space heating	G 6/4" F	890
E3	Electric heating element for DHW heating	G 6/4" F	1180
E4	Electric heating element for PV system	G 6/4" F	235
<b>DHW heating</b>			
W1	Cold water	G 3/4" M	1935
W2	Hot water	G 3/4" M	1935
W3	Circulation	G 3/4" M	1935
A1	Anode	G 3/4" F	1880
<b>Control and safety</b>			
C1	Temperature sensor – space heating	G 1/2" F	1000
C2	Temperature sensor – DHW heating	G 1/2" F	625
C3	Temperature sensor – DHW heating	G 1/2" F	1310
C4	Temperature sensor – DHW heating	G 1/2" F	1220
T	Thermometer	G 1/2" F	1635
M	Pressure gauge	G 1/2" F	510
P	Safety valve	G 1/2" F	400
<b>Air release</b>			
O	Air vent valve	G 1/2" F	1910