

**ETT-L Heating Element, G 6/4", with thermostatic head and contactor,
3-phase, fixed wiring, for DUO Thermal Stores**

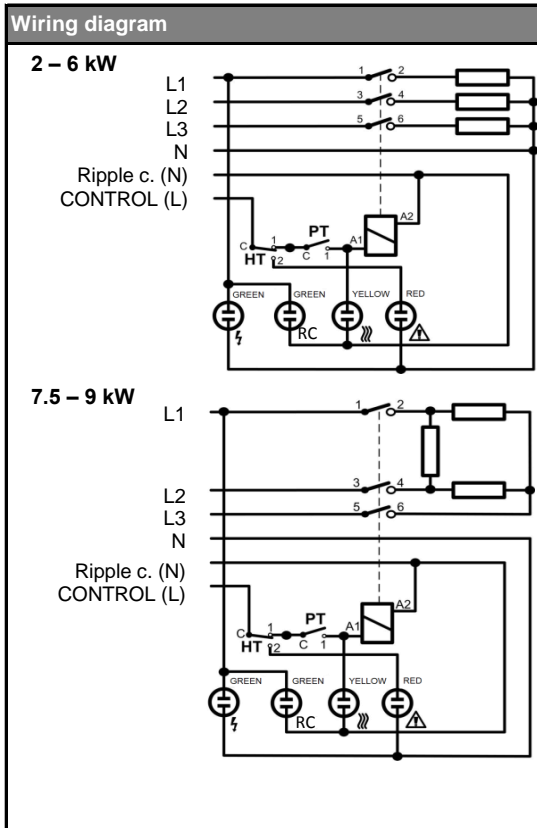


Application	
Purpose	heating of static working fluid in DUO Thermal Stores, not designed to heat fluids in stainless steel tanks
Working fluid*	heating water, antifreeze fluid for heating systems and heat pumps
Installation position	horizontal, with cable gland downwards, element shall be completely immersed in working fluid

Design	
Heating element	electric, resistive, non-nickel-plated, thermostatic head with contactor
Connection thread	G 6/4" M
Connection to mains	cable for fixed wiring to a terminal box or fuse board

El. wiring	
Power supply voltage	3/N/PE AC 400/230 V
IP rating by EN 60529	IP 54
Protection class by EN 61140 ed.2	I

Power supply cable	
Cross section area	7x1.5 mm ²
Length	2 m
Grommet	Pg 11



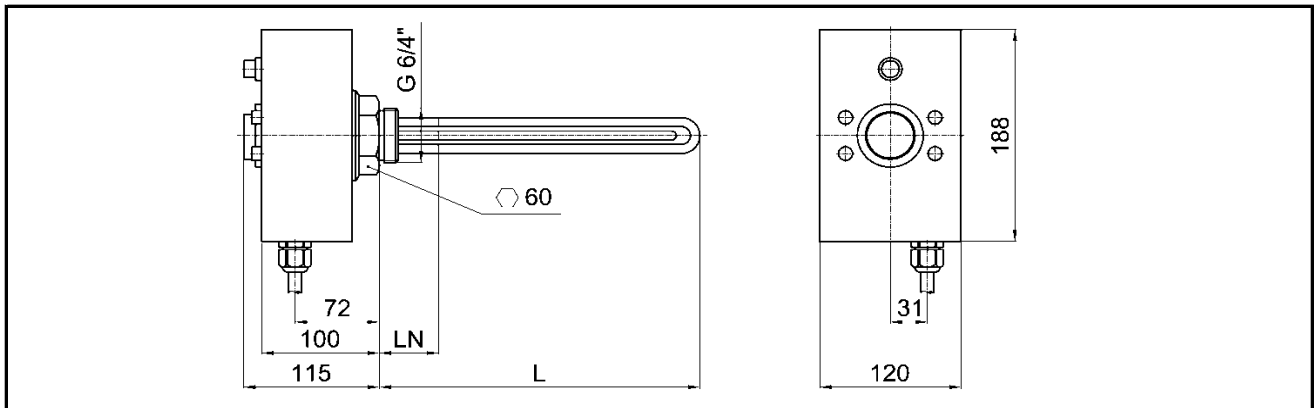
Adjustable thermostat	
capillary type	
Switch-over contact	16 A
Temp. adjustment range	from 0 ± 5 °C to 90 ± 3 °C
Temp. adjustment method	control knob
Switching difference	5 ± 1,5 °C
Lower limit	circa 15 °C – frost protection
Upper limit	circa 60 °C
<i>Both limits can be changed or eliminated completely by removing the knob.</i>	

Safety thermostat	
capillary type, fixed setting	
Switch-off temperature	99 +0/-6 °C
Reset	manual, after temperature drops below 50 °C

Contactor	
AC1 : 20 A / 690 V, 1Z	
Coil voltage	AC 220 – 240 V
Frequency	50 Hz

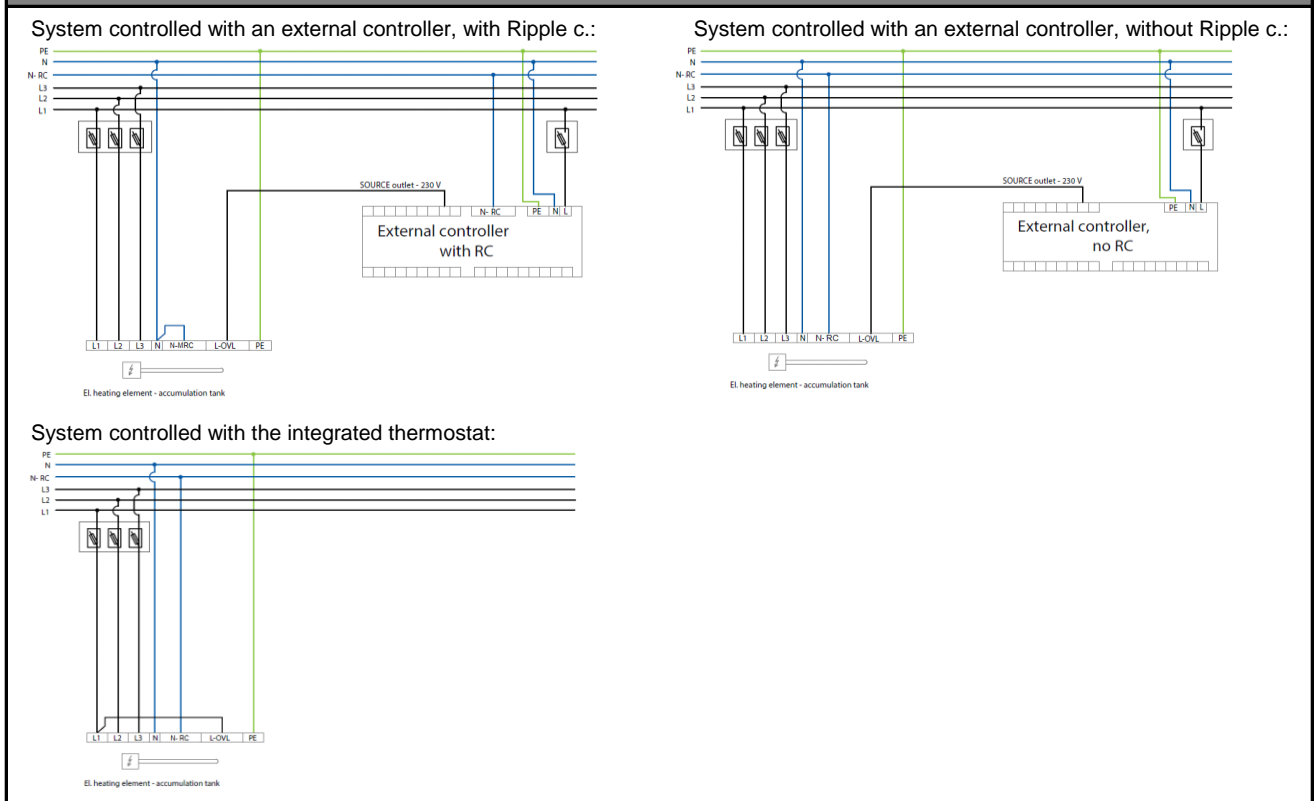
Materials	
Heating element	copper
Heating element housing	aluminium alloy
Threaded hexagon	brass
Power supply cable	PVC

ETT-L Heating Element, G 6/4", with thermostatic head and contactor, 3-phase, fixed wiring, for DUO Thermal Stores



Element type	Nominal output	Nominal current	Element length L	Non-heating end length LN	Code
ETT - L - 2,0	2.0 kW	2.9 A	310 mm	180 mm	14 994
ETT - L - 3,0	3.0 kW	4.3 A	370 mm	180 mm	14 995
ETT - L - 5,0	5.0 kW	7.3 A	500 mm	180 mm	14 996
ETT - L - 6,0	6.0 kW	8.7 A	555 mm	180 mm	14 997
ETT - L - 7,5	7.5 kW	10.8 A	635 mm	180 mm	14 998
ETT - L - 8,2	8.2 kW	11.8 A	700 mm	180 mm	14 999
ETT - L - 9,0	9.0 kW	13.0 A	755 mm	180 mm	15 000

Control: heating element can be controlled by Ripple control signal and/or through a heating system controller.



*** This heating element is not designed to heat other fluids than listed, nor gases or vapours. Heating fluid in direct contact with the heating element shall meet the relevant standards.**