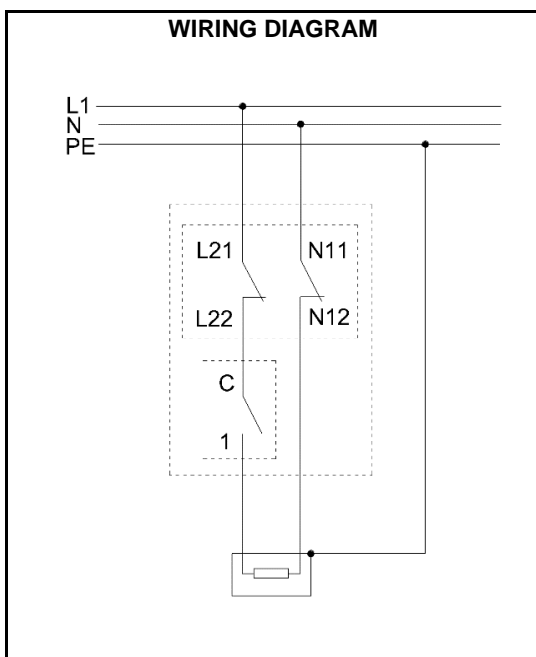


**ETT-M Heating Element, G 6/4", with thermostatic head,  
single phase, cord with plug**



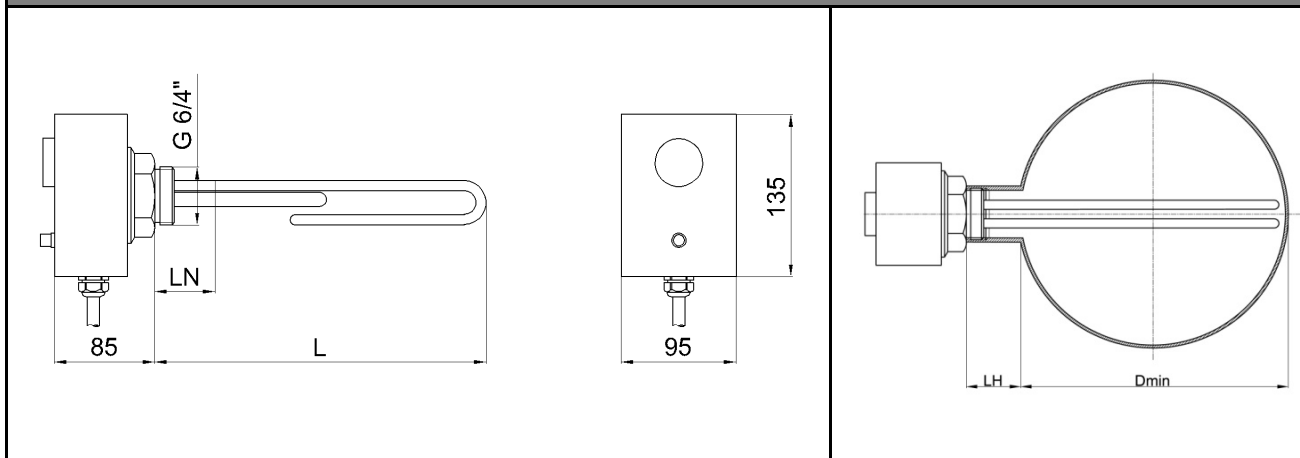
This heating element is not designed to heat other fluids than listed, nor gases or vapours.



Application	
Purpose	heating of static working fluid in hot water storage tanks and Thermal Stores incl. DUO; not designed to heat fluids in stainless steel tanks
Working fluid	drinking water, heating water, antifreeze fluid for heating systems and heat pumps
Installation position	horizontal, with cable gland downwards, element shall be completely immersed in working fluid
Design	
Heating element	electric, resistive, nickel-plated, with thermostatic head
Connection thread	G 6/4" M
Connection to mains	cord with plug
El. wiring	
Power supply voltage	230 V 50 Hz
IP rating	IP 40 by EN 60529
Protection class	I by EN 61140 ed.2
Power supply cable	
Cross section area	3 x 1,5 mm <sup>2</sup>
Length	3 m
Grommet	Pg 11
El. plug	UniSchuko
Adjustable thermostat	
Switch-over contact	16 A
Temp. adjustment range	from 0 ± 5 °C to 90 ± 3 °C
Temp. adjustment method	control knob
Switching difference	5 ± 1,5 °C
Lower limit	cca 15 °C – frost protection
Upper limit	cca 60 °C – for hot water storage
<i>Both limits can be changed or eliminated completely by removing the knob.</i>	
Safety thermostat	
Switch-off temperature	99 +0/-10 °C
Reset	manual, after temperature drops below 40 °C
Materials	
Heating element	nickel-plated copper
Heating element housing	PC, flame rating UL94-5V
Threaded hexagon	nickel-plated brass
Power supply cable	PVC

**ETT-M Heating Element, G 6/4", with thermostatic head,  
single phase, cord with plug**

**Dimensions**



Element type	Nominal output	Nominal current	Element length L	Non-heating end length LN	Min. tank diameter without inner HE, Dmin		Code
					for LH=50mm	for LH=100mm	
ETT – M - 1,2	1,2 kW	5,2 A	300 mm	180 mm	270 mm	220 mm	<b>15 166</b>
ETT – M - 2,0	2,0 kW	8,7 A	350 mm	180 mm	320 mm	270 mm	<b>15 167</b>
ETT – M - 2,4	2,4 kW	10,4 A	420 mm	180 mm	390 mm	340 mm	<b>15 168</b>
ETT – M - 3,0	3,0 kW	13,0 A	450 mm	180 mm	420 mm	370 mm	<b>15 169</b>

Heating fluid in direct contact with the heating element shall meet the relevant standards.

Hot water values shall not exceed the following limits:

pH	Total Dissolved Solids (TDS)	Calcium	Chlorides	Sodium	Iron
6.5-9.5	600 mg/l	40 mg/l	100 mg/l	200 mg/l	0.2 mg/l