


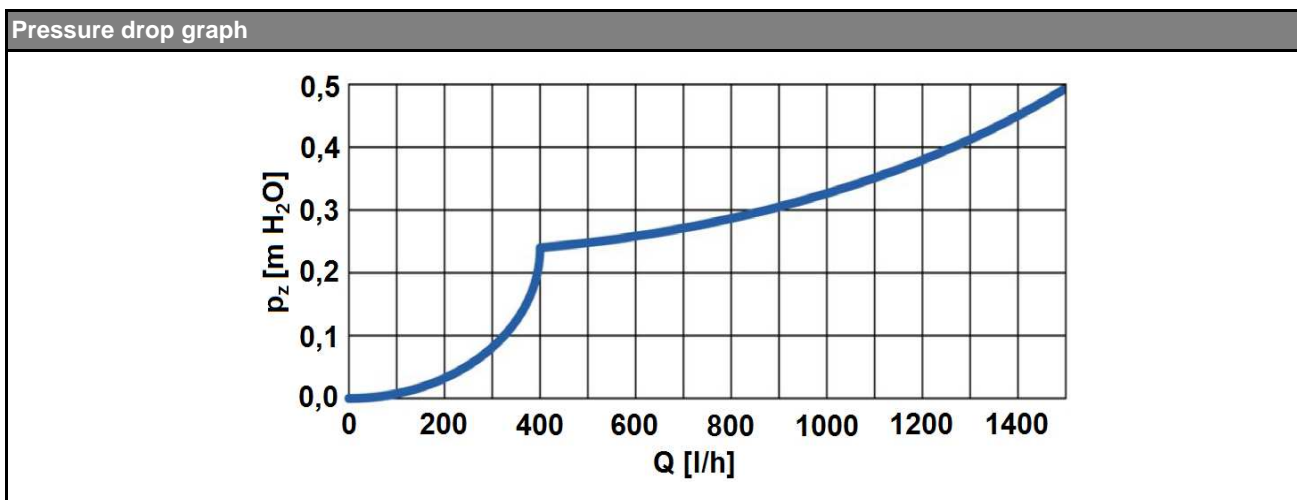


FP204, FP214, FP224, FP234 Flow Switches

<p>FP204 Flow Switch</p> 	Main features			
	Application	heating systems		
	Purpose	microswitch switches when preset flowrate is exceeded		
	Working fluid	water, water/glycol mixture (max. 1:1)		
	Installation position	vertical or horizontal, microswitch facing upwards		
<p>FP214</p> 	Function Description			
	Fluid flows around the cone inside the switch, deflecting the cone. This is transferred by a lever to a microswitch that will switch when the preset flowrate is reached. When the flowrate drops, contacts open.			
<p>FP224</p> 	Codes			
		no microsw.	microsw.	microsw. with gold-pl. contacts
<p>FP234 Flow Switch</p> 	FP204	-	381	13 552
	FP214	-	382	13 553
	FP224	6 073	383	4 247
	FP234	14 812	14 811	14 810
	Technical data			
	Max. working pressure	3 bar		
	Fluid max. working pressure	110 °C		
	Microswitch closing flowrate	400 l/h ± 50 l/h		
	Microswitch opening flowrate	350 l/h ± 50 l/h		
	Ambient temperature	-20 to 65 °C		
	Connection size	see Dimensions		
	Electric data			
		no microsw.	microsw.	microsw. with gold-pl. contacts
	Max. voltage	-	240 V AC	4 - 30 V
	Switching current	-	0.05 - 5 A	1 - 100 mA
	IP rating	-	IP 40	IP 40
	Materials			
	Housing, cone guide, support	brass		
	Cone, lever and box	NORYL GFN3		
	Microswitch	PC		
	Gasket	EPDM		

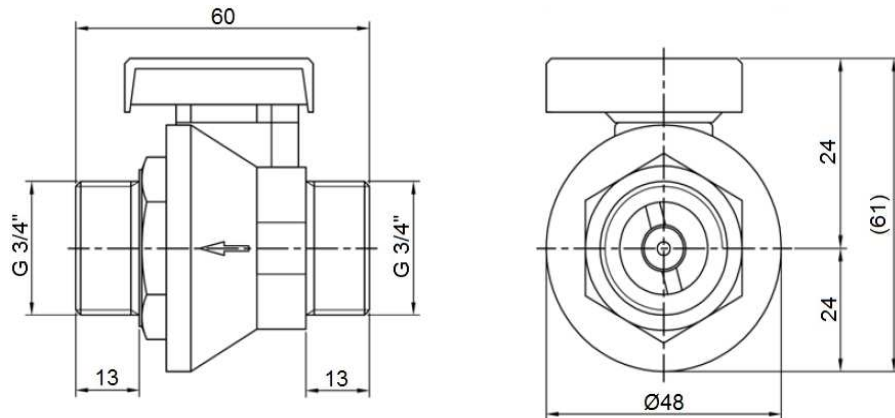


FP204, FP214, FP224, FP234 Flow Switches

Dimensions and Weights

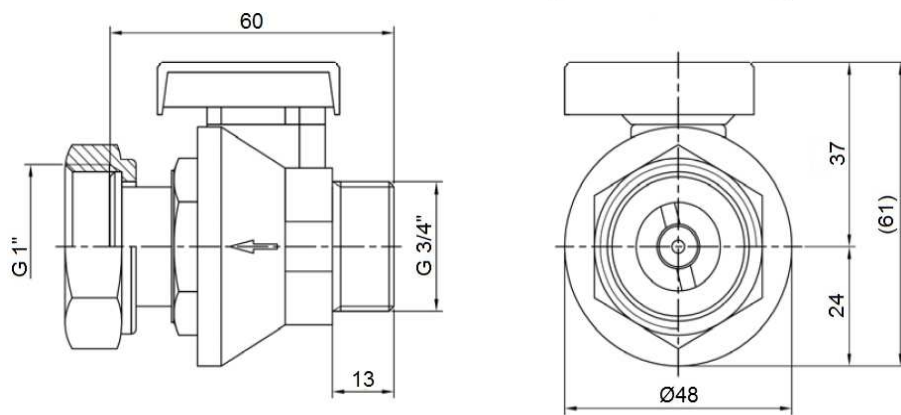
FP204

weight: 255 g



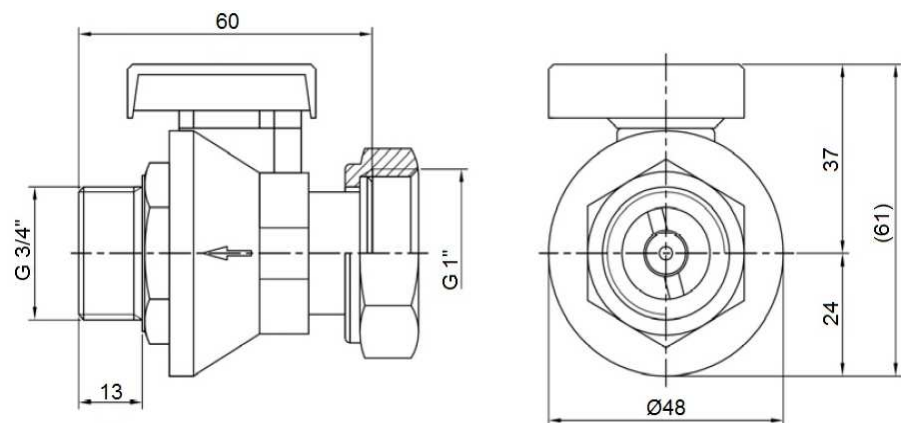
FP214

weight: 290 g



FP224

weight: 295 g



FP234

weight: 285 g

