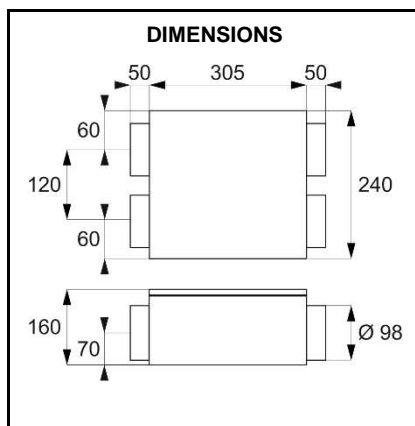
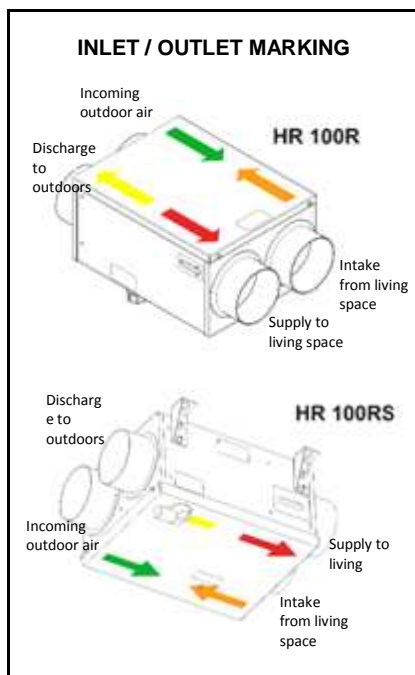


HR 100R and HR 100RS Heat Recovery Ventilation Units



HR 100 R



Description	HRV unit
Application	this unit is intended for ventilation of small flats or single rooms
Installation	both units shall be installed in a horizontal position
HR 100R	suitable for attic-room installations; the service panel is located on its upper side; it is important to keep a sufficient free space around the unit for servicing and maintenance
HR 100RS	suitable for ceiling void installations, ceiling mount; the service panel is located on its bottom side, min. service opening in the suspended ceiling is 380x300 mm

Codes	
HR 100R	7 483
HR 100RS	10 308

Performance data *	
Air flow	66 m ³ /h (high-speed mode) 48 m ³ /h (low-speed mode)
Heat recovery efficiency	max. 70 %

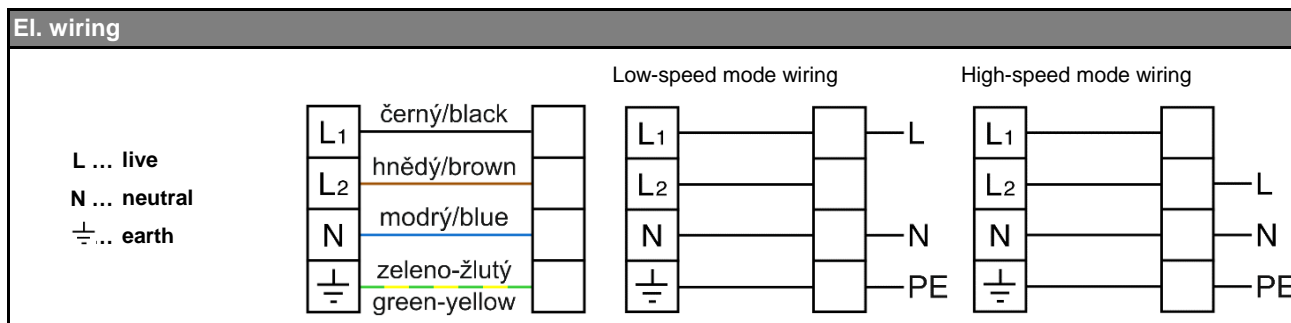
Acoustic data *	
Sound level (at 3 m)	20 dB(A) for low-speed mode 30 dB(A) for high-speed mode

Electric data *	
Power supply	230 V, 50 Hz
Power supply fuse	3 A (external fuse)
Power input	29 W for high-speed mode 19 W for low-speed mode

Dimensions and weight *	
Height x width x length	160 x 240 x 305 mm (see Dimensions)
Spigot pitch	120 mm
Spigot diameter	98 mm
Condensate hose	∅ 22 mm
Weight	5.6 kg

Ambient conditions *	
Ambient temperature	up to 40 °C

* data identical for both units



HR 100R and HR 100RS Heat Recovery Ventilation Units

Graph of performance data for HR 100R and HR 100RS

