

Ball Valve w. Union Nut & Drain Valve

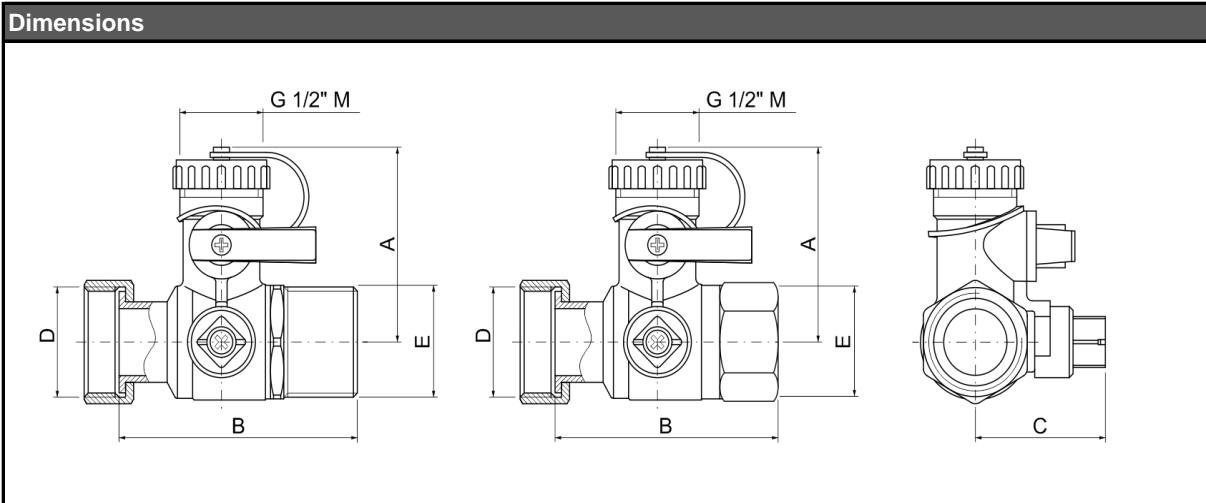


Main Features	
Main Features	designed to close/open flow completely and drain/fill working fluid
Working fluid	water, antifreeze fluid for heating systems, heat pumps, solar thermal systems
Control	manual, by turning the lever; when the main ball valve is closed, the side at the union nut can be drained/filled

Codes	Connections
17412	G 3/4" Fu x G 3/4" M x G 1/2" M
17413	G 1" Fu x G 1" M x G 1/2" M
17414	G 3/4" Fu x G 3/4" F x G 1/2" M
17415	G 1" Fu x G 1" F x G 1/2" M

Technical Data	
Max. working overpressure	16 bar
Max. working temperature	120 °C

Materials	
Valve housing	brass
Union nut	brass



Connections	Codes	Dimensions					DN	Weight [g]
		A [mm]	B [mm]	C [mm]	D*	E		
inner x outer	17412	46	60	40	3/4"	3/4"	15	320
	17413	52	70	40	1"	1"	20	420
inner x inner	17414	46	55	40	3/4"	3/4"	15	300
	17415	56	65	40	1"	1"	20	400

* union nut