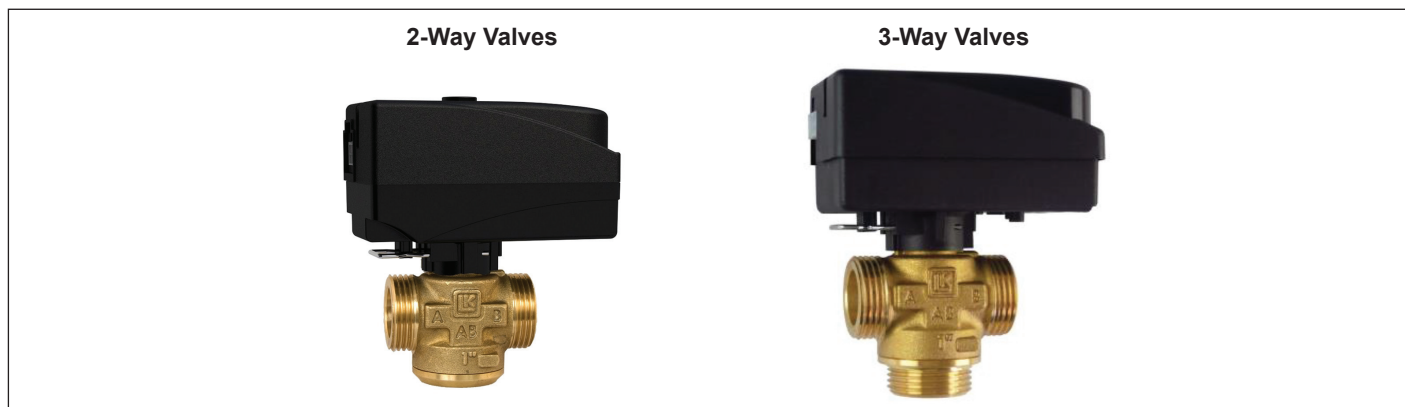


DATA SHEET

LK 525 Zone Gate Valves – bidirectional actuator with 2-point control (SPST)

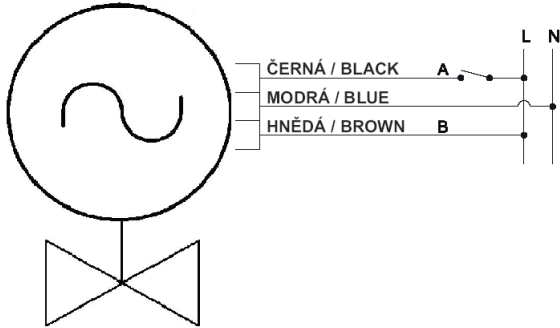
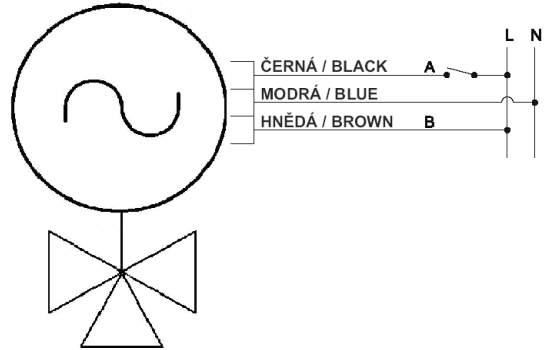


Main Features		
	2-Way Valves	3-Way Valves
Application	Heating or solar thermal systems.	Heating or solar thermal systems.
Working fluids	Water, water–glycol mixture (max. 1:1) or water–glycerine mixture (max. 2:1)	Water, water–glycol mixture (max. 1:1) or water–glycerine mixture (max. 2:1)
Installation position	Any, except for actuator facing downwards.	Any, except for actuator facing downwards.
Control		
	two-point (SPST)	two-point (SPST)
De-energised	valve closed	outlet B open
Energised	valve open	outlet A open
Manual control	after removing actuator, turn valve stem to the desired position	after removing actuator, turn valve stem to the desired position
Valve shift time	12 s/90°	8 s/60°
Valve Data		
Max. working pressure	10 bar	10 bar
Fluid working temperature	no adapter: 5 to 80 °C, 90 °C in short term with adapter: –15 to 120 °C, 160 °C in short term	no adapter: 5 to 80 °C, 90 °C in short term with adapter: –15 to 120 °C, 160 °C in short term
Leakage rate	< 1 % K_{vs} at Δp 100 kPa	< 1 % K_{vs} at Δp 100 kPa
Actuator Data		
Power supply	230 V 50 Hz	230 V 50 Hz
Power consumption	7 W	7 W
Current	30 mA	30 mA
IP rating	IP40 per EN 60529	IP40 per EN 60529
Protection class	II per EN 61140 ed. 2	II per EN 61140 ed. 2
Electromagnetic compatibility (EMC)	per EN 50130-4	per EN 50130-4
Ambient working temperature	1 to 60 °C	1 to 60 °C
Power cable cross section	3 x 0.75 mm ²	3 x 0.75 mm ²
Power cable length	1 m	1 m
Materials		
Valve body	forged brass	forged brass
Valve member (rotating element)	PPS	PPS
Valve spindle	PPS	PPS
Power cable	PVC	PVC

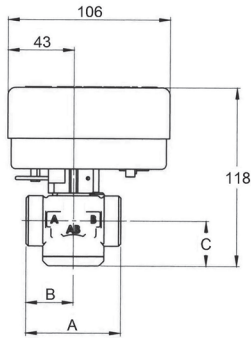
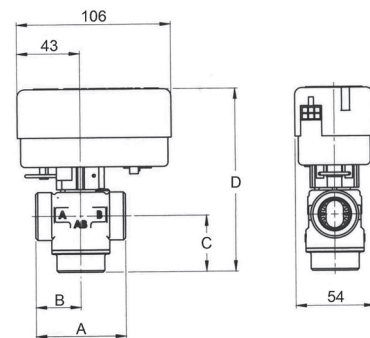
DATA SHEET

LK 525 Zone Gate Valves – bidirectional actuator with 2-point control (SPST)

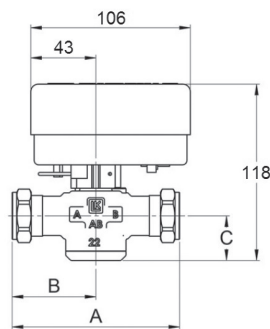
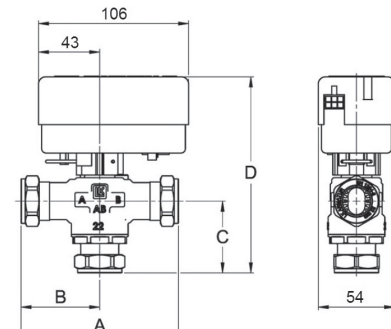
El. wiring

2-Way Valves

3-Way Valves


Dimensions – outer thread

2-Way Valves

3-Way Valves


Dimensions – compression fittings

2-Way Valves

3-Way Valves


Parametr	Type	2-Way Valves				3-Way Valves			
		outer thread		compression fittings		outer thread		compression fittings	
Connection		G 1" M	G 5/4" M	Cu 22	Cu 28	G 1" M	G 5/4" M	Cu 22	Cu 28
Dimensions	A [mm]	62	74	110	110	62	74	110	110
	B [mm]	31	37	55	55	31	37	55	55
	C [mm]	30	30	30	30	39	40	50	54
	D [mm]	–	–	–	–	127	128	138	142
Weight	[kg]	0.6	0.6	0.4	0.6	0.6	0.6	0.4	0.6
K_{vs}	[m ³ /h]	11	11	11	11	8	8	8	8
Max. pressure difference	[m H ₂ O]	10	10	10	10	10	10	10	10
Code		16283	16284	14896	14897	11284	11285	14883	14884

DATA SHEET

LK 525 Zone Gate Valves – bidirectional actuator with 2-point control (SPST)

Pressure drop graph

