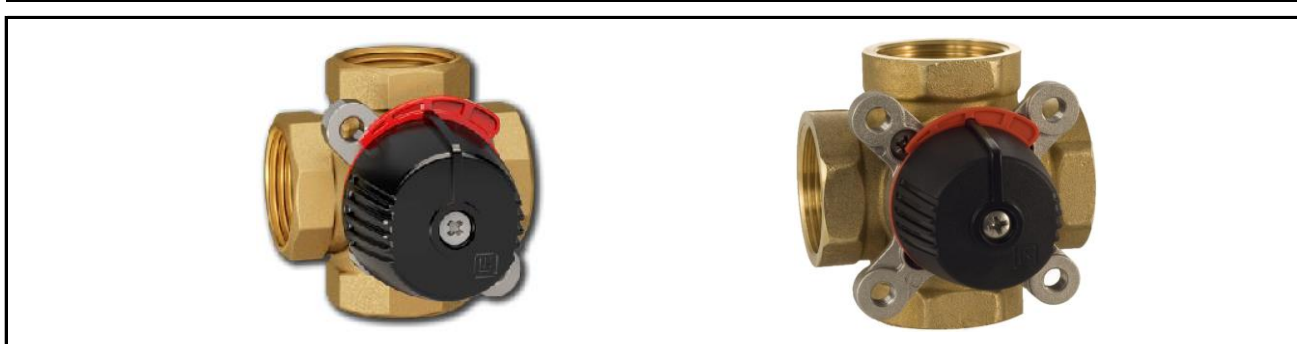


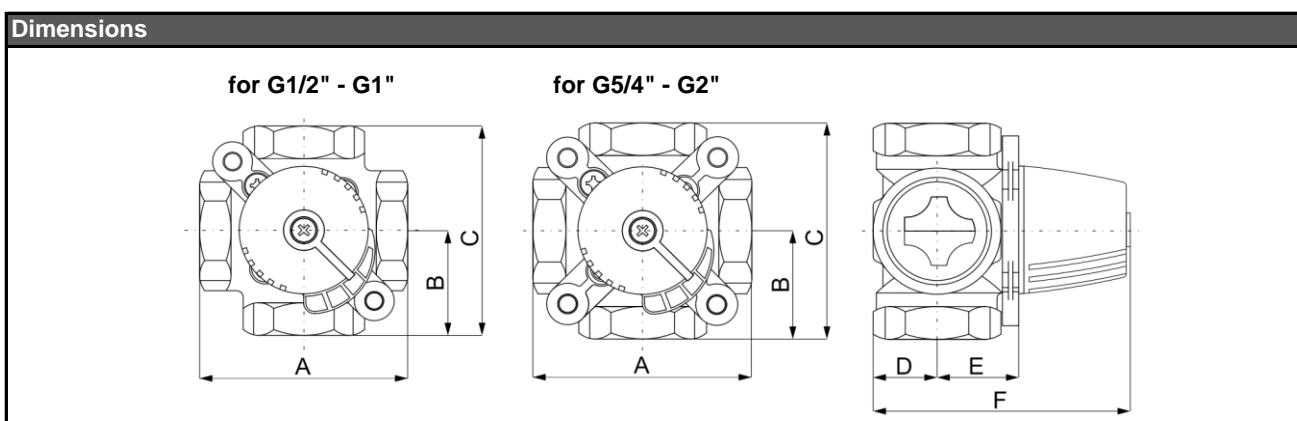
Four-way Mixing Valves, model LK 841 2.0


| Main features | |
|-----------------------|--|
| Application | heating and solar systems |
| Description | mixing valve with rotating inner segment |
| Working fluid | water, antifreeze mixture for heating and solar systems and heat pumps |
| Installation position | any, except for shaft (motor) downwards |

| Control | |
|------------------|---|
| Electric control | can be fitted with electric actuators with torque of 5 Nm or more |
| Manual control | by turning the knob |
| Opening angle | 90° |

| Technical parameters | |
|---------------------------|--|
| Max. working pressure | 10 bar |
| Max. pressure difference | 5 m H ₂ O |
| Fluid working pressure | 5 to 110 °C (120 °C in short term) |
| Ambient working temperat. | 5 to 60 °C |
| Leaks | < 0,2 % K _{vs} at 5 m H ₂ O pressure difference for G1/2" to G1" < 0,5 % K _{vs} at 5 m H ₂ O pressure difference for G5/4" to G2" |

| Materials | |
|--------------------------|--------------|
| Valve body | forged brass |
| Valve member and spindle | brass |
| Inner valve bonnet | PPS |
| Outer valve bonnet | aluminium |
| Seal | EPDM |



| | Code | Dimensions [mm] | | | | | | Weight [kg] | K _{vs} [m ³ /h] | Connection |
|--------------------|--------|-----------------|----|-----|----|----|-----|-------------|-------------------------------------|------------|
| | | A | B | C | D | E | F | | | |
| LK 841 1/2F - 2,5 | 16 775 | 70 | 35 | 70 | 18 | 29 | 81 | 0,5 | 2,5 | G 1/2" F |
| LK 841 3/4F - 4,0 | 16 779 | 70 | 35 | 70 | 18 | 29 | 81 | 0,5 | 4,0 | G 3/4" F |
| LK 841 3/4F - 6,3 | 16 780 | 70 | 35 | 70 | 18 | 29 | 81 | 0,5 | 6,3 | G 3/4" F |
| LK 841 1F - 10,0 | 16 694 | 70 | 35 | 70 | 20 | 29 | 83 | 0,5 | 12,0 | G 1" F |
| LK 841 5/4F - 16,0 | 16 699 | 84 | 42 | 84 | 24 | 32 | 90 | 0,8 | 15,0 | G 5/4" F |
| LK 841 6/4F - 25,0 | 16 783 | 106 | 53 | 106 | 33 | 43 | 110 | 1,6 | 24,0 | G 6/4" F |
| LK 841 2F - 40,0 | 16 778 | 106 | 53 | 106 | 33 | 43 | 110 | 1,7 | 40,0 | G 2" F |

Four-way Mixing Valves, model LK 841 2.0

Pressure drop diagram

