

Four-way Mixing Valves, model LK 841

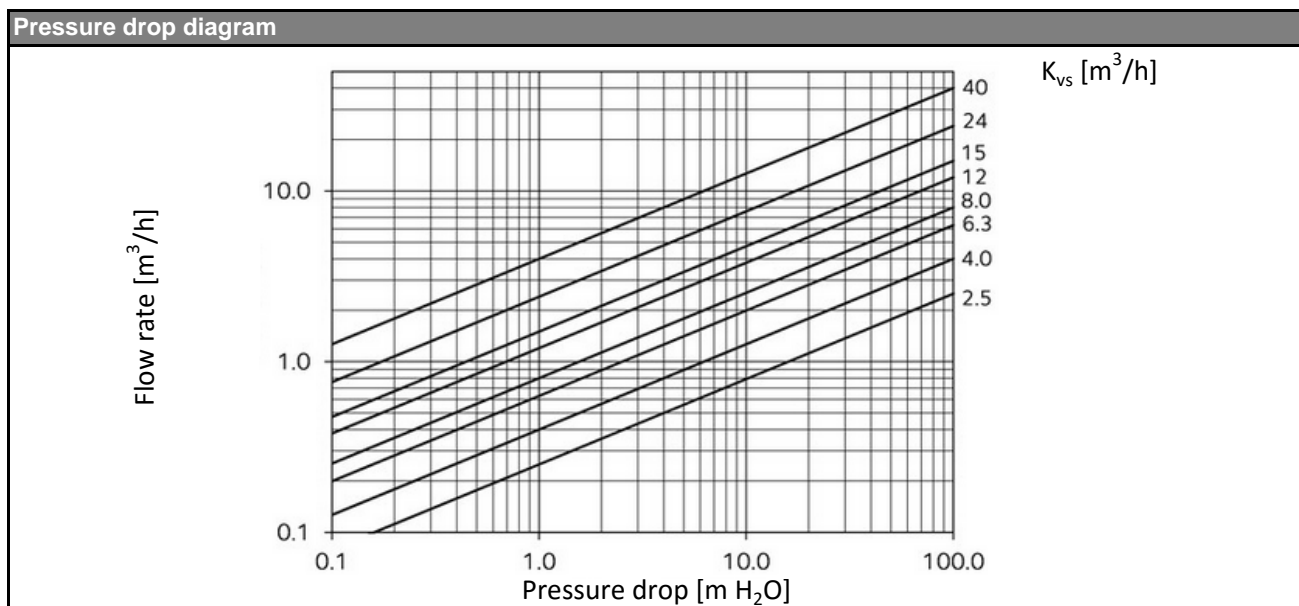


Main features	
Application	heating and solar systems
Description	mixing valve with rotating inner segment
Working fluid	water, antifreeze mixture for heating and solar systems and heat pumps
Installation position	any

Control	
Electric control	can be fitted with electric actuators with torque of 5 Nm or more
Manual control	by turning the knob
Opening angle	90°

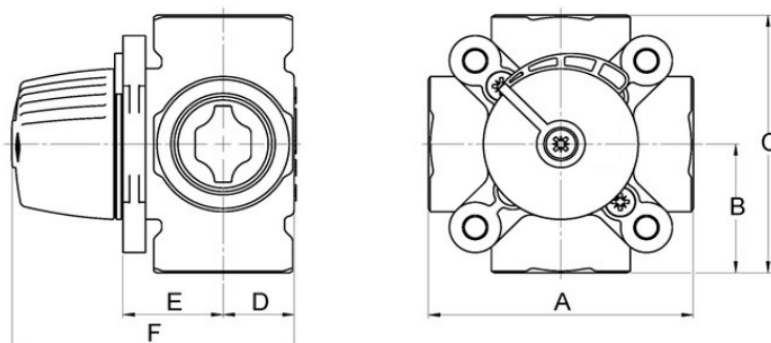
Technical parameters	
Max. working pressure	10 bar
Max. pressure difference	5 m H ₂ O
Fluid working pressure	5 to 110 °C (120 °C in short term)
Ambient working temperat.	5 až 60 °C
Leaks	< 1 % Kvs at 5 m H ₂ O pressure difference

Materials	
Valve body	forged brass
Valve member and spindle	brass
Inner valve bonnet	PPS
Outer valve bonnet	aluminium
Seal	EPDM



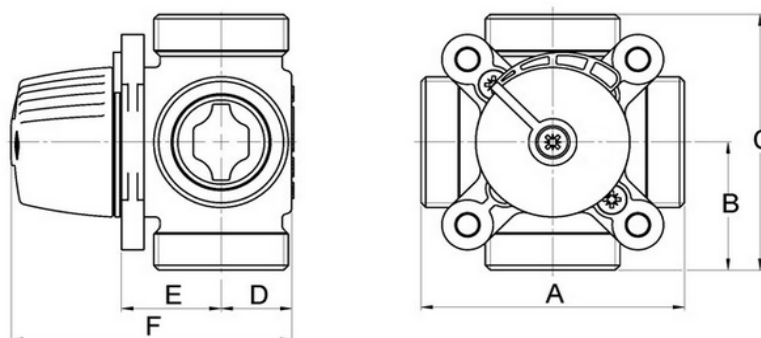
Four-way Mixing Valves, model LK 841

LK 841 with inner thread



	Code	Dimensions [mm]						Weight [kg]	K _{vs} [m ³ /h]	Connection
		A	B	C	D	E	F			
LK 841 1/2F - 2,5	14 859	80	40	80	20	28	82	0,7	2,5	G 1/2" F
LK 841 3/4F - 4,0	14 864	80	40	80	20	28	82	0,7	4,0	G 3/4" F
LK 841 3/4F - 6,3	14 863	80	40	80	20	28	82	0,7	6,3	G 3/4" F
LK 841 1F - 8,0	14 862	82	41	82	22	31	87	0,8	8,0	G 1" F
LK 841 1F - 12,0	10 631	82	41	82	22	31	87	0,8	12,0	G 1" F
LK 841 5/4F - 15,0	10 828	84	42	84	25	32	91	0,9	15,0	G 5/4" F
LK 841 6/4F - 24,0	12 664	118	59	118	30	36	100	2,3	24,0	G 6/4" F
LK 841 2F - 40,0	12 665	127	63,5	127	35	40	109	2,7	40,0	G 2" F

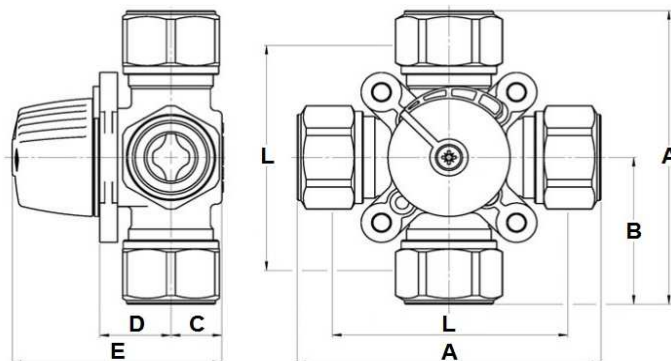
LK 841 with outer thread



	Code	Dimensions [mm]						Weight [kg]	K _{vs} [m ³ /h]	Connection
		A	B	C	D	E	F			
LK 841 3/4M - 2,5	14 829	80	40	80	20	28	82	0,7	2,5	G 3/4" M
LK 841 1M - 4,0	14 830	80	40	80	20	28	82	0,7	4,0	G 1" M
LK 841 1M - 6,3	14 831	80	40	80	20	28	82	0,7	6,3	G 1" M
LK 841 5/4M - 8,0	14 832	82	41	82	22	31	87	0,8	8,0	G 5/4" M
LK 841 5/4M - 12,0	14 833	82	41	82	22	31	87	0,8	12,0	G 5/4" M
LK 841 6/4M - 15,0	14 834	84	42	84	24	32	90	0,9	15,0	G 6/4" M

Four-way Mixing Valves, model LK 841

LK 841 for copper pipes



The L dimension corresponds to dimensions of a valve without nuts.

	Code	Dimensions [mm]						Weight [kg]	K _{vs} [m ³ /h]	Connection
		A	B	C	D	L ₁	L ₂			
LK 840 Cu15 - 2,5	15 777	114	57	20	28	82	80	1,0	2,5	15 mm
LK 840 Cu18 - 2,5	15 778	114	57	20	28	82	80	1,2	2,5	18 mm
LK 840 Cu22 - 2,5	15 779	114	57	20	28	82	80	1,0	2,5	22 mm
LK 840 Cu28 - 4,0	15 780	120	60	20	28	82	80	1,0	4,0	28 mm
LK 840 Cu28 - 6,3	15 781	120	60	20	28	82	80	1,0	6,3	28 mm