

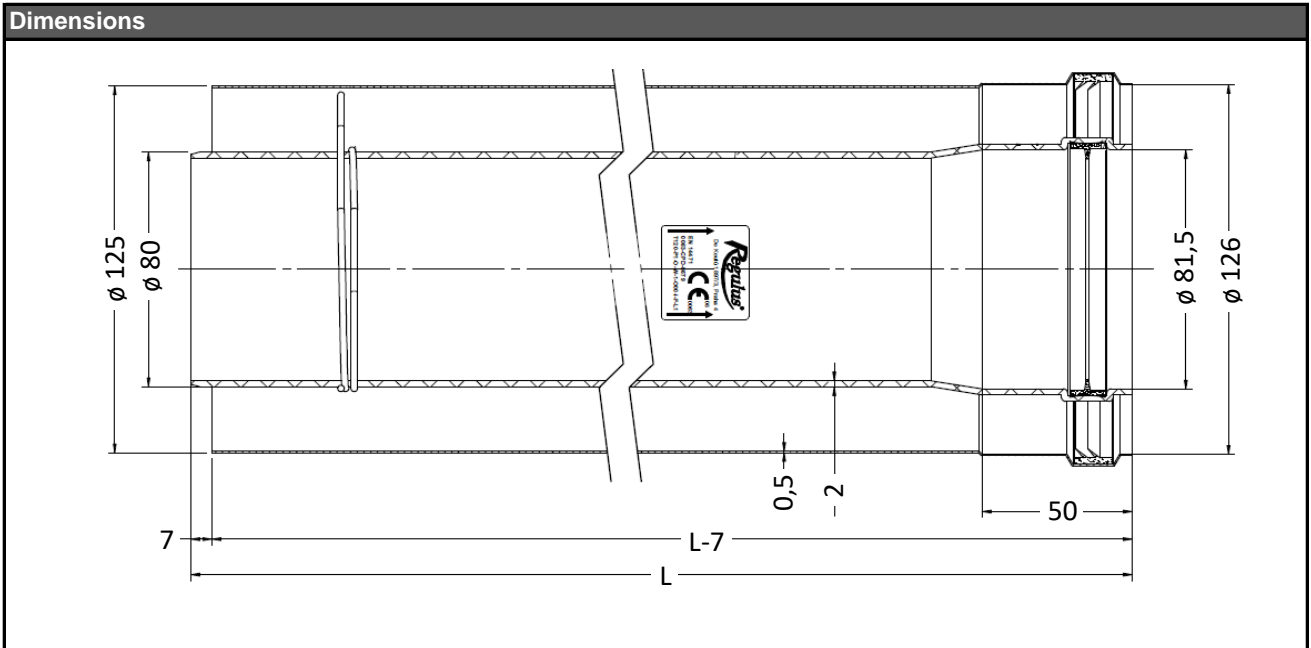
**Concentric Flue Pipes, Polypropylene, diam. 80/125**

Main Features	
Application	discharge of flue gas from condensing gas boilers
Description	concentric flue pipe system where flue gas passes through the inner polypropylene pipe and combustion air is sucked through the outer lacquered metal pipe
Transported medium	flue gas up to 120 °C, air
Certification	EN 14471:2013

Technical Data	
Inner pipe material	polypropylene
Inner pipe diameter	80 mm
Outer pipe material	steel, white lacquer
Outer pipe diameter	125 mm
Gasket material	EPDM

Extensions	
3D model (250 mm long)	Photo (1000 mm long)

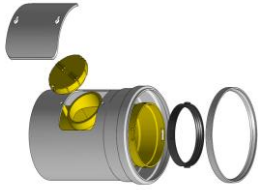
Codes	Marking	Length (dimension L)
9598	A2010038	250 mm
4675	A2010057	500 mm
7004	A2010058	1000 mm
8513	A2010041	1930 mm



**Concentric Flue Pipes, Polypropylene, diam. 80/125**

**Adapter with Inspection Door**

3D model



Photo



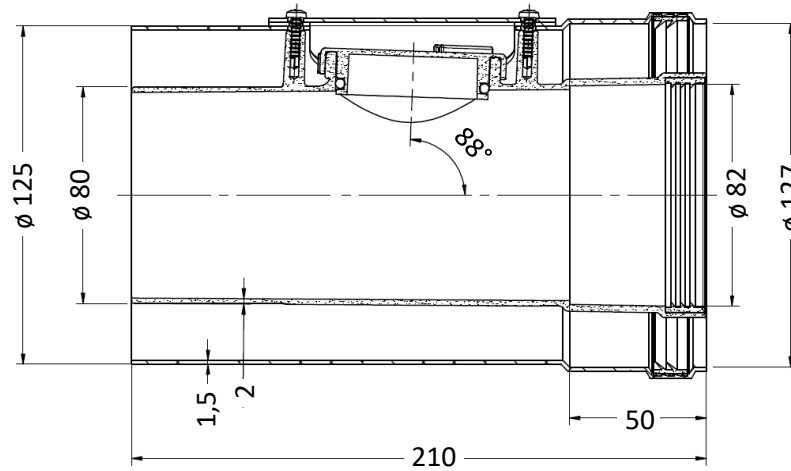
**Code**

**Marking**

**11265**

**A2006086**

**Dimensions**



**90° Elbow with Inspection Door**

3D model



Photo



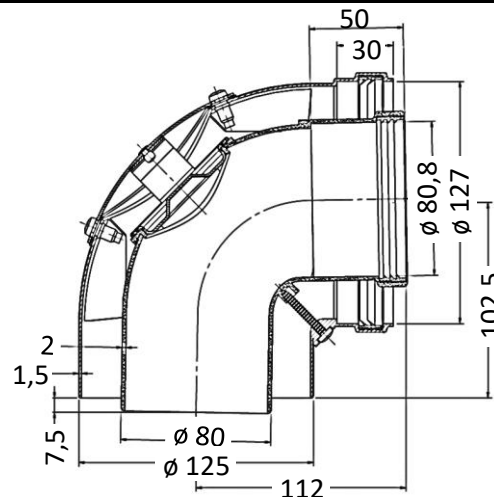
**Code**

**Marking**

**7648**

**A2010069**

**Dimensions**



**Concentric Flue Pipes, Polypropylene, diam. 80/125**

**90° Elbow with Test Points**

3D model



Photo



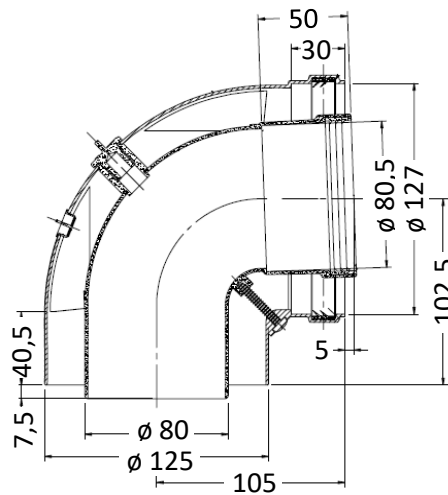
**Code**

**Marking**

**7649**

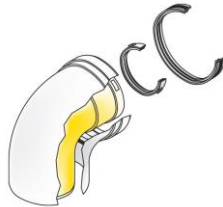
**A2006108**

**Dimensions**



**90° Elbow**

3D model



Photo



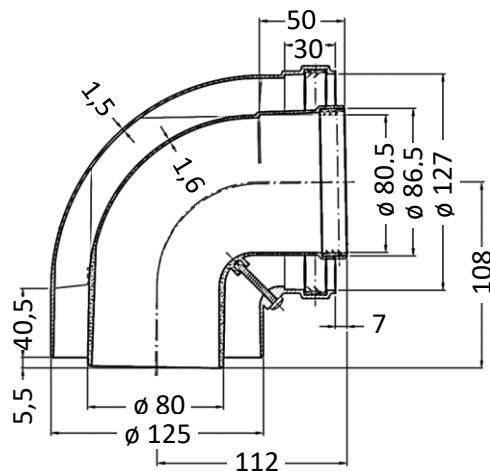
**Code**

**Marking**

**4676**

**A2010067**

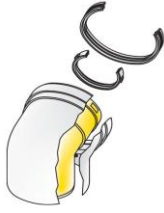
**Dimensions**



**Concentric Flue Pipes, Polypropylene, diam. 80/125**

**45° Elbow**

3D model



Photo



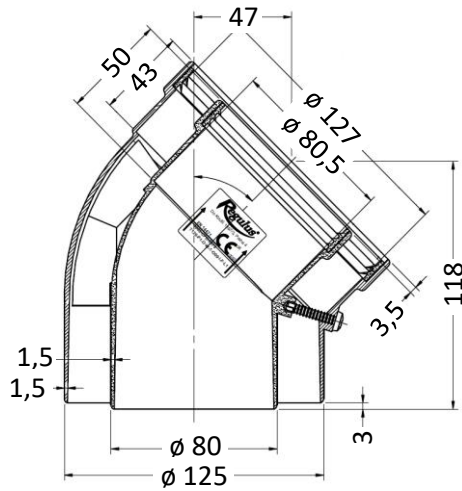
**Code**

**6432**

**Marking**

**A2010068**

**Dimensions**



**Boiler Adapter w. Test Points (600/100-80/125)**

3D model



Photo



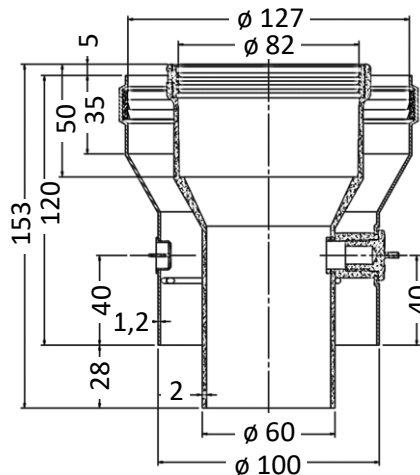
**Code**

**7806**

**Marking**

**A2006069**

**Dimensions**



**Concentric Flue Pipes, Polypropylene, diam. 80/125**

**Boiler Adapter with Sleeve (600/100-80/125)**

3D model



Photo



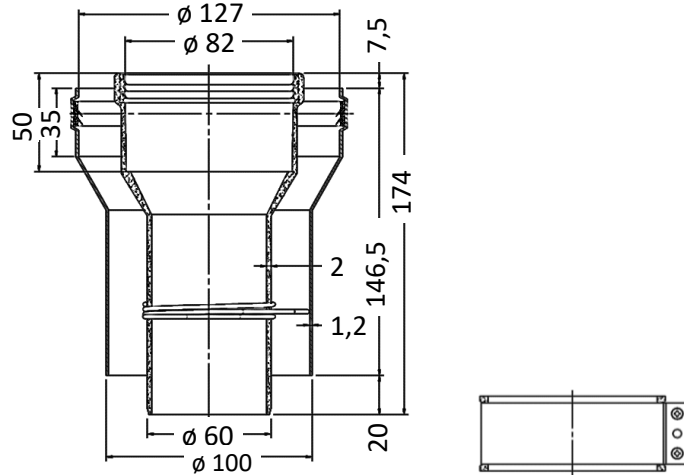
**Code**

**Marking**

**7808**

**A2006070**

**Dimensions**



**Flange with Test Points (600/100-80/125)**

3D model



Photo



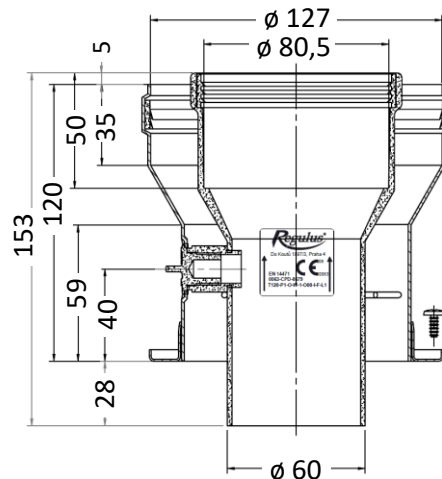
**Code**

**Marking**

**4678**

**A2006010**

**Dimensions**



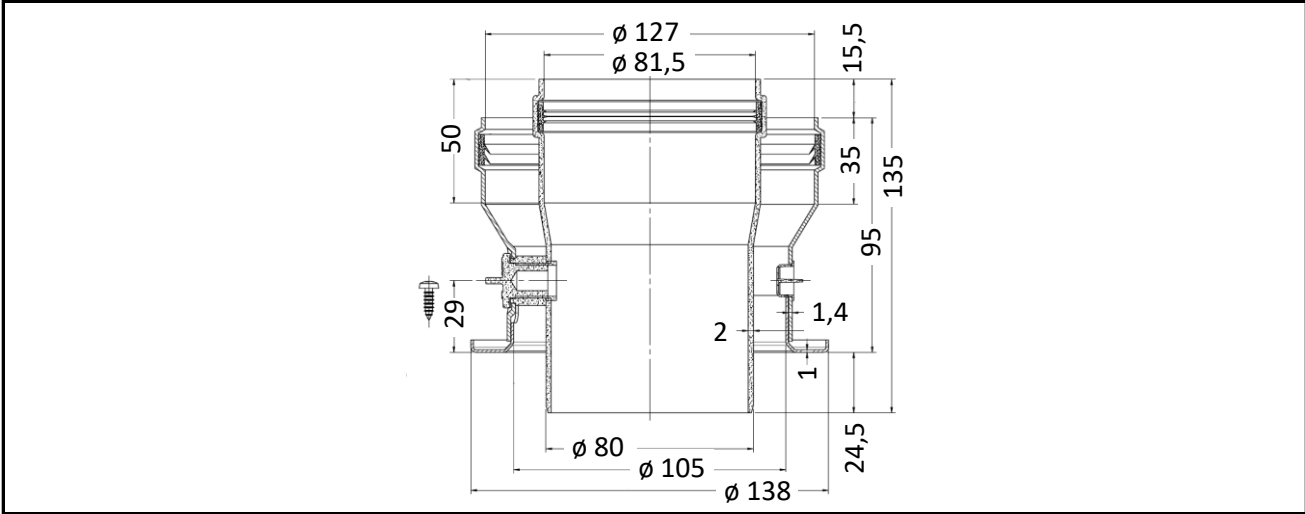
**Concentric Flue Pipes, Polypropylene, diam. 80/125**

**Flange with Test Points (80/105-80/125)**

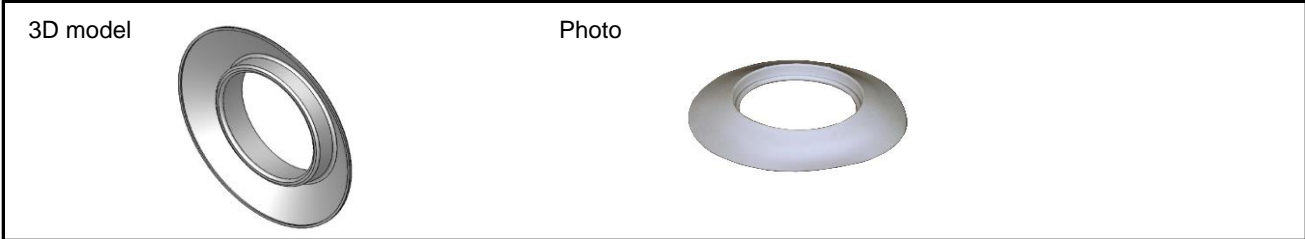


Code	Marking
7468	A2006025

**Dimensions**

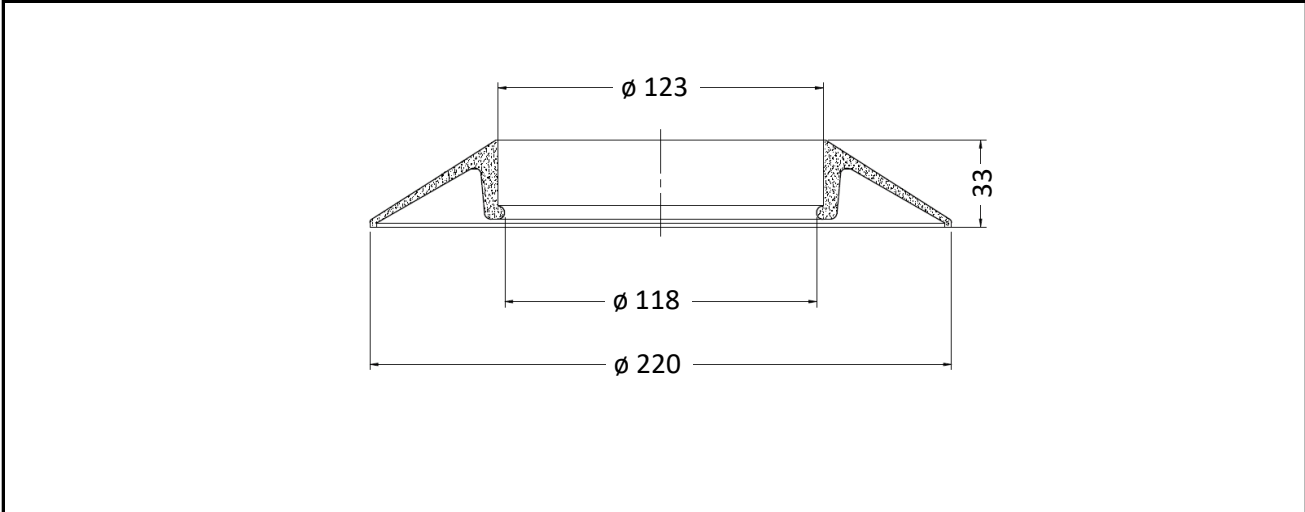


**Wall Collars**



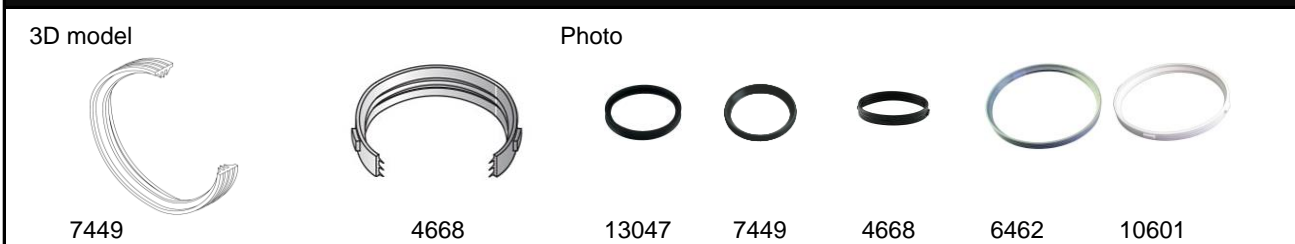
Code	Marking	Position
3776	A1018112	Inner and outer

**Dimensions**



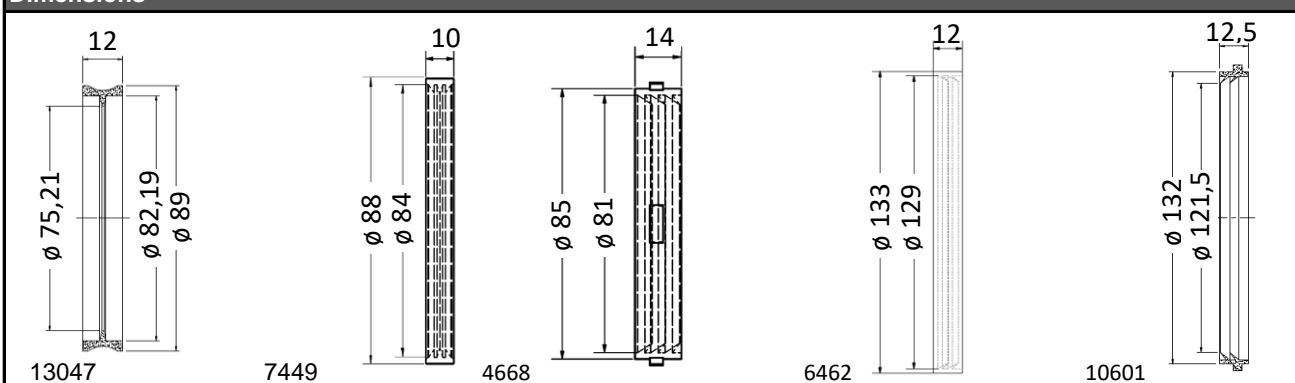
**Concentric Flue Pipes, Polypropylene, diam. 80/125**

**Gaskets**

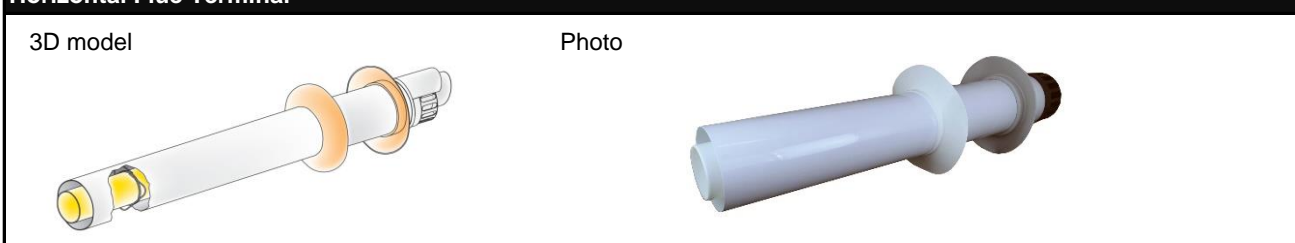


Codes	Marking	Diameter	Specification
13047	MGN08014	80 mm	1 lip
7449	A1011883	80 mm	3 lips
4668	A1011501	80 mm	3 lips, with teeth
6462	A1018041	125 mm	2 lips, grey silicone
10601	A1018071	125 mm	2 lips, grey silicone, with teeth

**Dimensions**

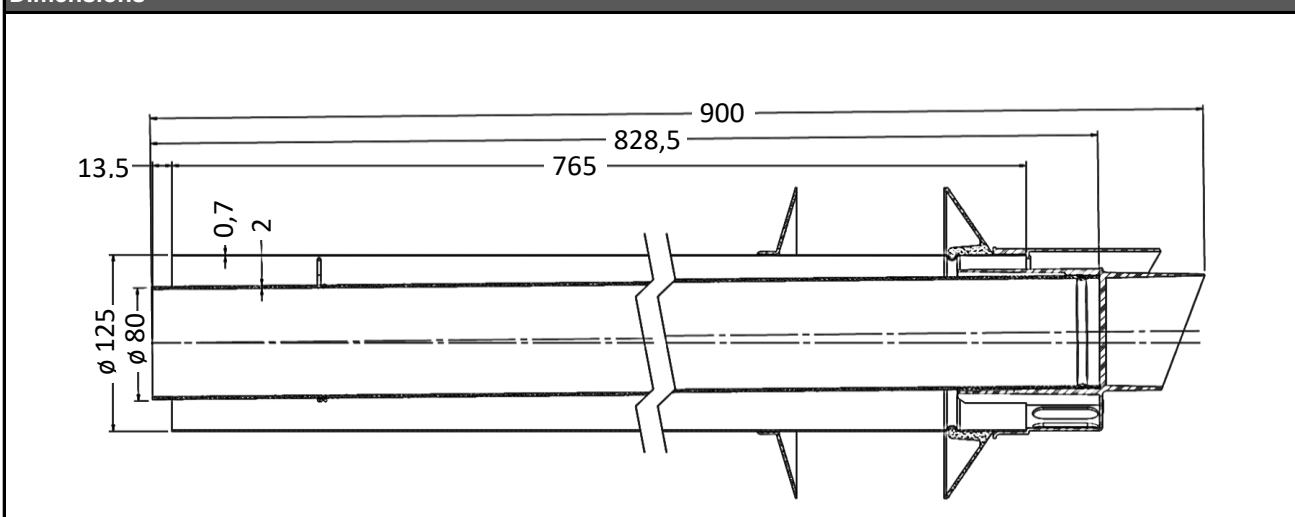


**Horizontal Flue Terminal**



Code	Marking
7003	A2010012

**Dimensions**



**Concentric Flue Pipes, Polypropylene, diam. 80/125**

**Vertical Flue Terminals**



Codes	Marking	Colour
11255	A5023166	black
11256	A6023166	red

**Dimensions**

