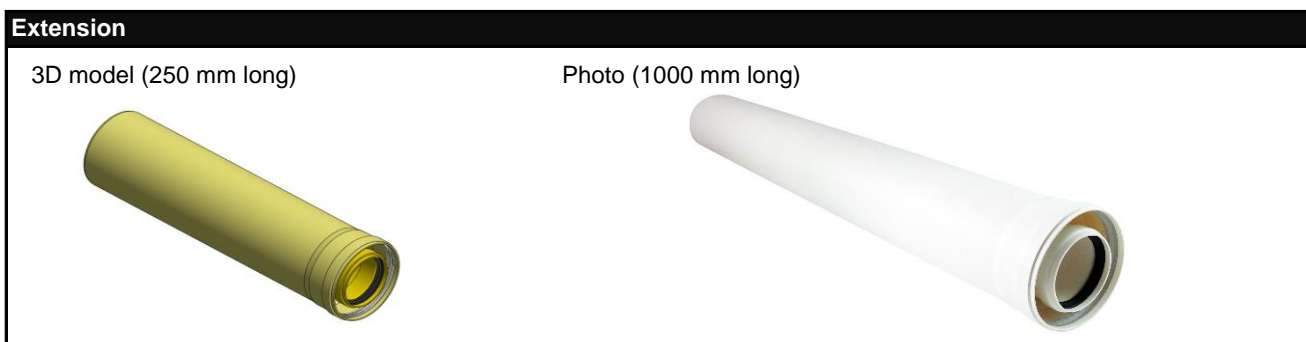


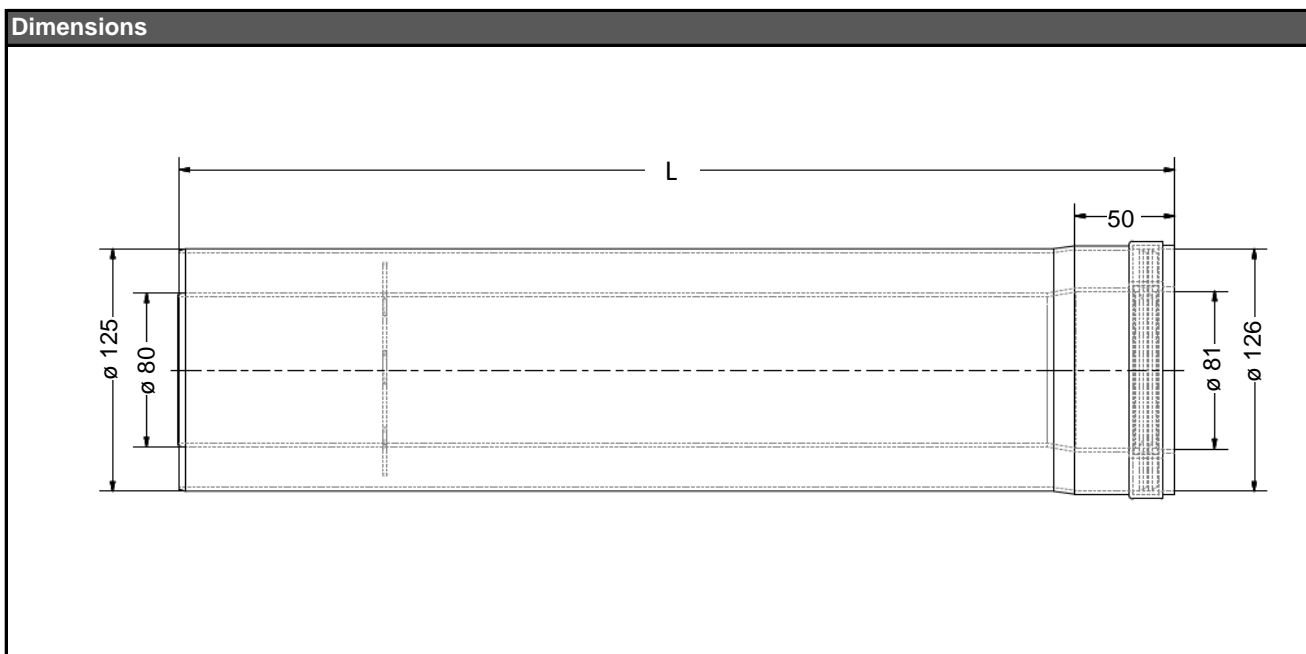
**Concentric Flue Pipes, Polypropylene, diam. 80/125 PP**

Main Features	
Application	discharge of flue gas from condensing gas boilers
Description	concentric flue pipe system where flue gas passes through the inner polypropylene pipe and combustion air is sucked through the outer polypropylene pipe
Transported medium	flue gas up to 120 °C, air
Certification	EN 14471:2013

Technical Data	
Inner pipe material	polypropylene
Inner pipe diameter	80 mm
Outer pipe material	polypropylene
Outer pipe diameter	125 mm
Gasket material	EPDM



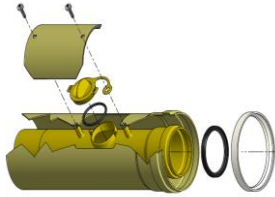
Codes	Marking	Length (dimension L)
14661	BB013039	500 mm
14662	BB013040	1000 mm
14663	BB013041	2000 mm



**Concentric Flue Pipes, Polypropylene, diam. 80/125 PP**

**Adapter with Inspection Door**

3D model



Photo



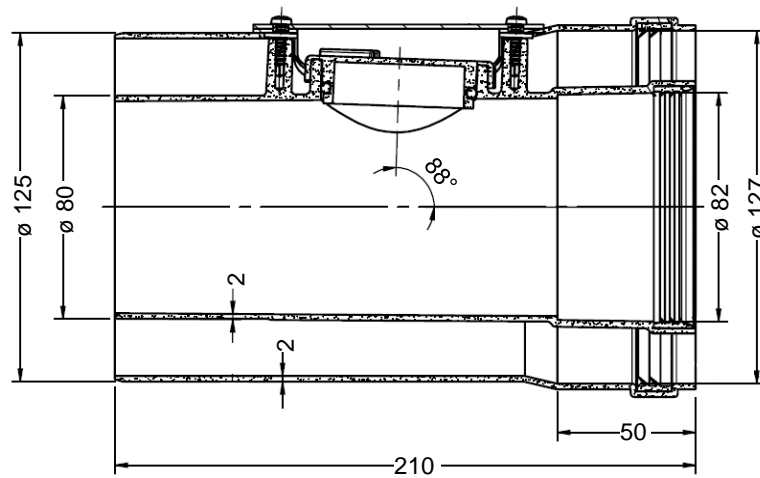
**Code**

**17007**

**Marking**

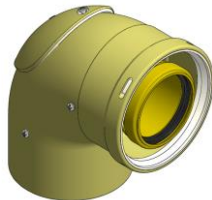
**BB013046**

**Dimensions**



**90° Elbow with Inspection Door**

3D model



Photo



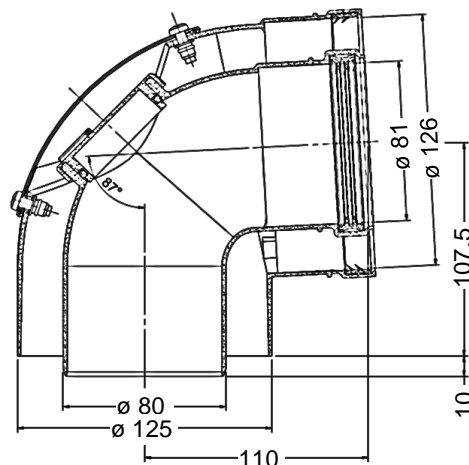
**Code**

**17008**

**Marking**

**BB013043**

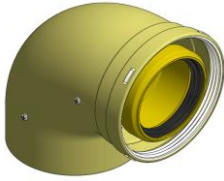
**Dimensions**



**Concentric Flue Pipes, Polypropylene, diam. 80/125 PP**

**90° Elbow**

3D model



Photo



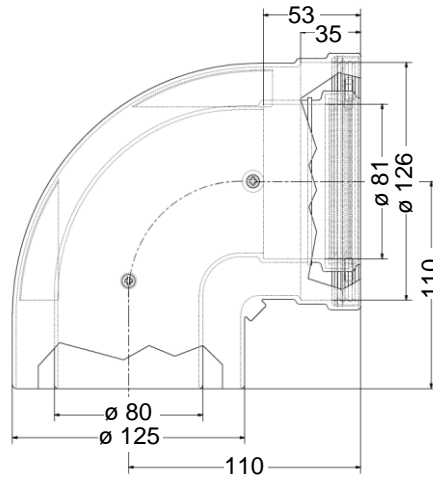
**Code**

**14665**

**Marking**

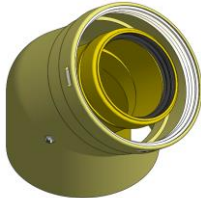
**BB013045**

**Dimensions**



**45° Elbow**

3D model



Photo



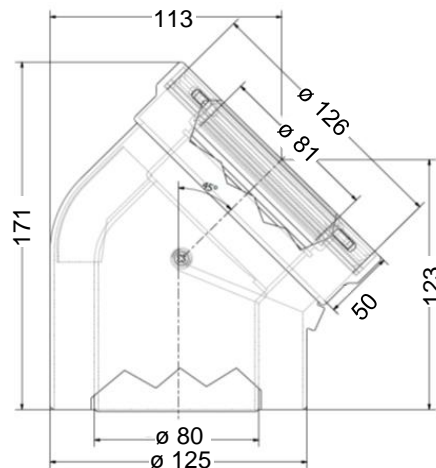
**Code**

**14664**

**Marking**

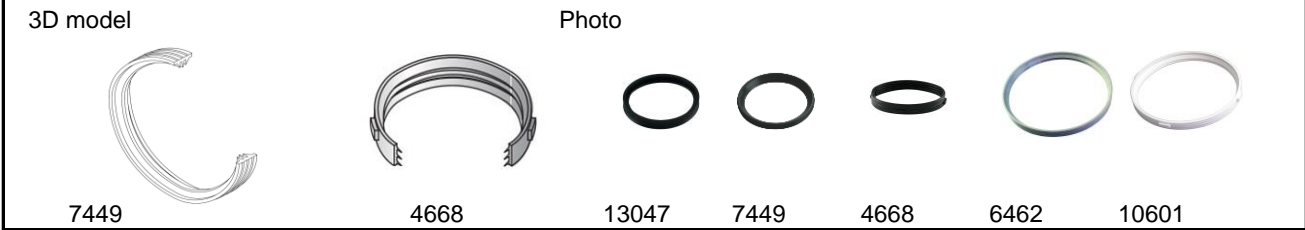
**BB013071**

**Dimensions**



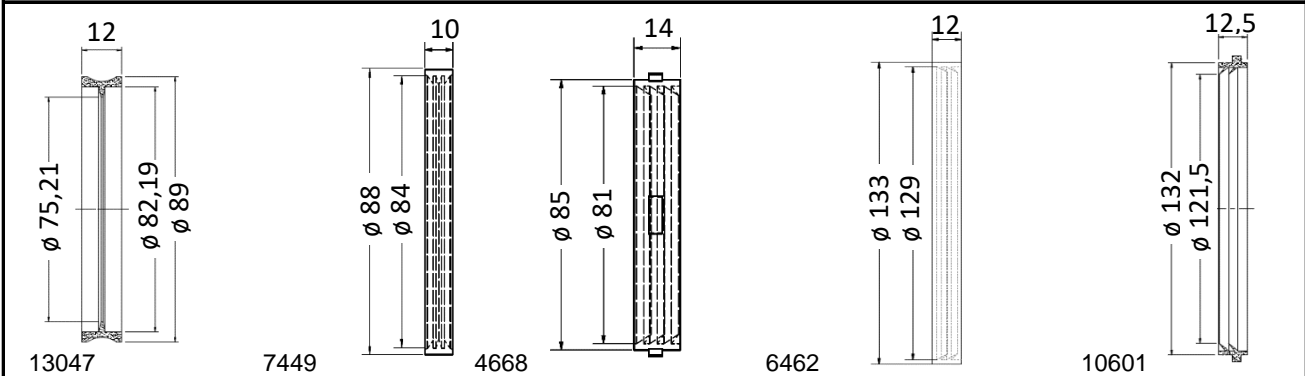
**Concentric Flue Pipes, Polypropylene, diam. 80/125 PP**

**Gaskets**

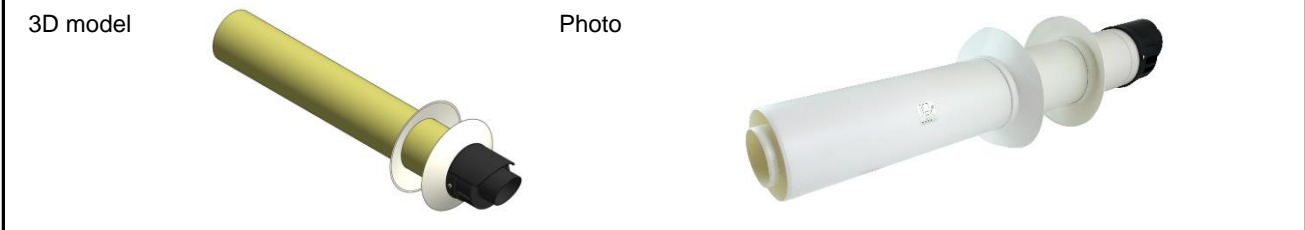


Codes	Marking	Diameter	Specification
13047	MGN08014	80 mm	1 lip
7449	A1011883	80 mm	3 lips
4668	A1011501	80 mm	3 lips, with teeth
6462	A1018041	125 mm	2 lips, grey silicone
10601	A1018071	125 mm	2 lips, grey silicone, with teeth

**Dimensions**

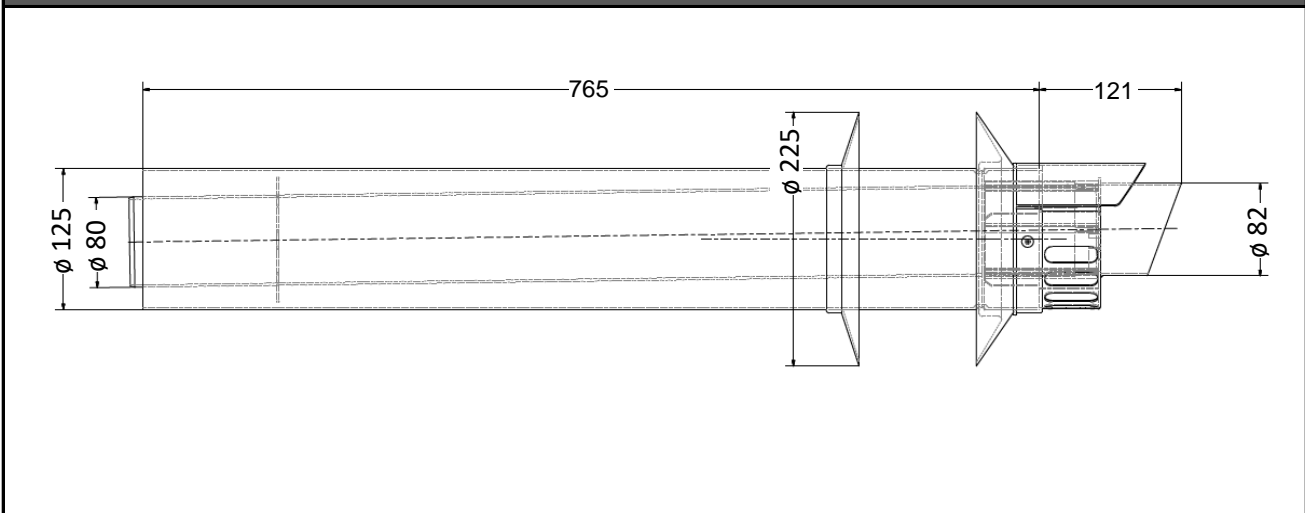


**Horizontal Flue Terminal**



Code	Marking
14666	BB013042

**Dimensions**



**Concentric Flue Pipes, Polypropylene, diam. 80/125 PP**

**Vertical Flue Terminals**



Codes	Marking	Colour
11255	A5023166	black
11256	A6023166	red

**Dimensions**

