

PS 600 K+



PS 600 K+ with insulation



Main features	
Application	storage and subsequent distribution of thermal energy from solid-fuel boilers, heat pumps or other heat sources
Description	welded steel tank
Working fluid	water, water-glycol mixture (max. 1:1), water-glycerine mixture (max. 2:1), thermal oil

Code	
Thermal Store	15 291
Insulation	16 334

Energy Efficiency Data (as per EC Regulation No. 812/2013)	
	PS 600 K+
Energy efficiency class	N/A
Standing loss	105 W
Storage volume	560 l

Technical data	
Total tank volume	560 l
Max. working temperature in tank	95 °C
Max. working pressure in tank	4 bar

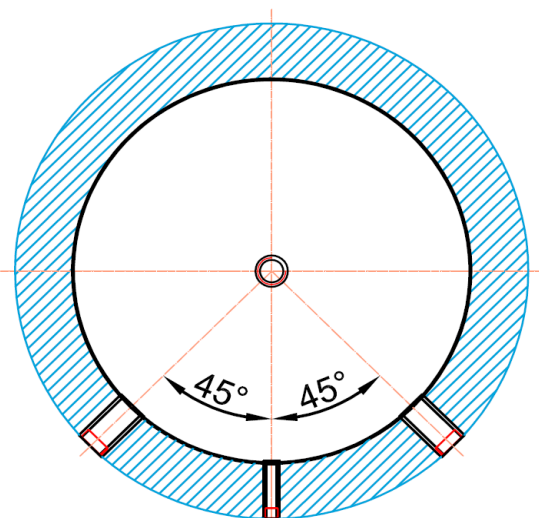
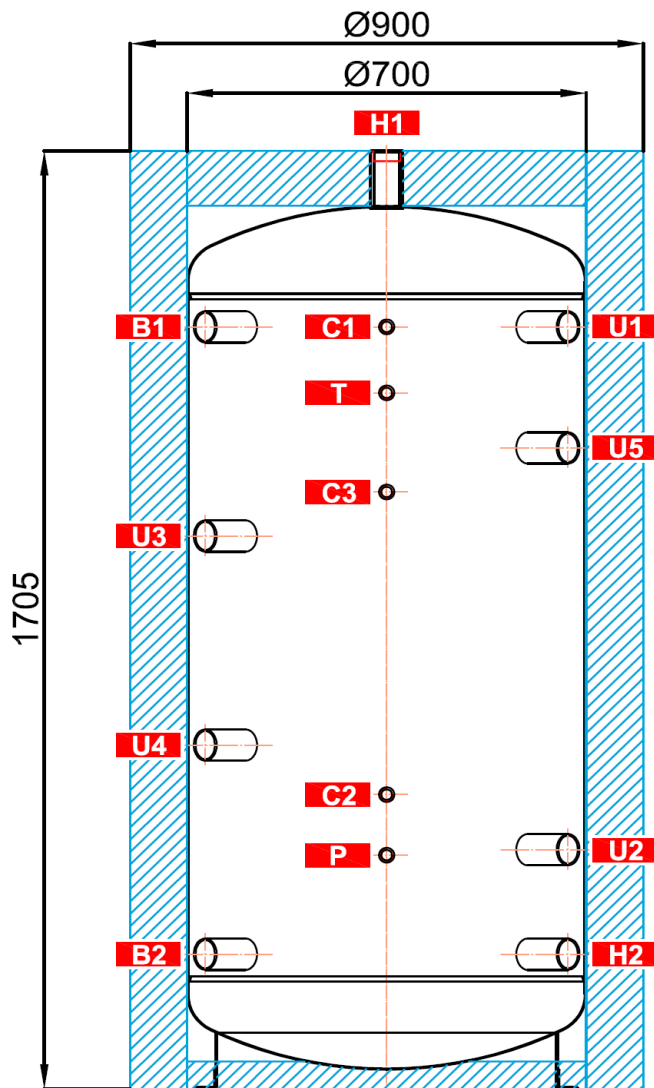
Materials	
Tank material	S235JR
Tank perimeter insulation	fleece
Insulation's outer surface	PU leather
Top and bottom tank insulation	fleece

Dimensions, Tipping height, Weight	
Tank diameter	700 mm
Tank diameter with insulation	900 mm
Tank overall height	1705 mm
Tipping height without insulation	1750 mm
Tank perimeter insulation thickness	100 mm
Bottom insulation thickness	50 mm
Top insulation thickness	120 mm
Empty weight without insulation	76 kg

Accessories	
El. heating element	models ETT-A, C, D, F, G, L, M
Heating elem. max. length / output	755 mm / 9 kW

Dimensions

Tipping height without insulation 1750 mm.



TAPPINGS

pos.	connection	height [mm]
Heat sources		
B1	G 6/4" F	1385
B2	G 6/4" F	245
Heating system		
H1	G 6/4" F	1705
H2	G 6/4" F	255
Control and safety		
C1	G 1/2" F	1385
C2	G 1/2" F	535
C3	G 1/2" F	1085
T	G 1/2" F	1265
P	G 1/2" F	425
Universal inlet / outlet		
U1	G 6/4" F	1385
U2	G 6/4" F	435
U3	G 6/4" F	1005
U4	G 6/4" F	625
U5	G 6/4" F	1520