

R0BC 750 Hot Water Storage Tank

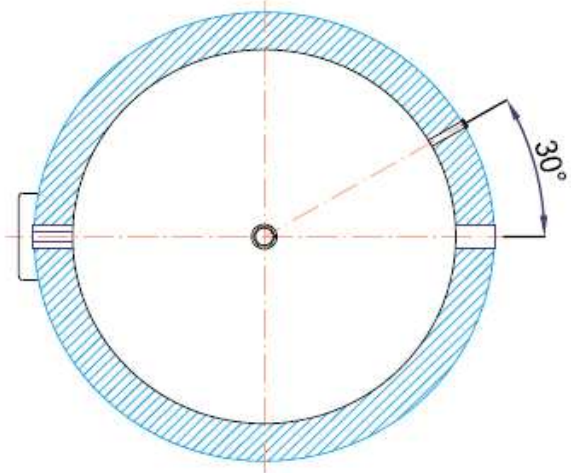
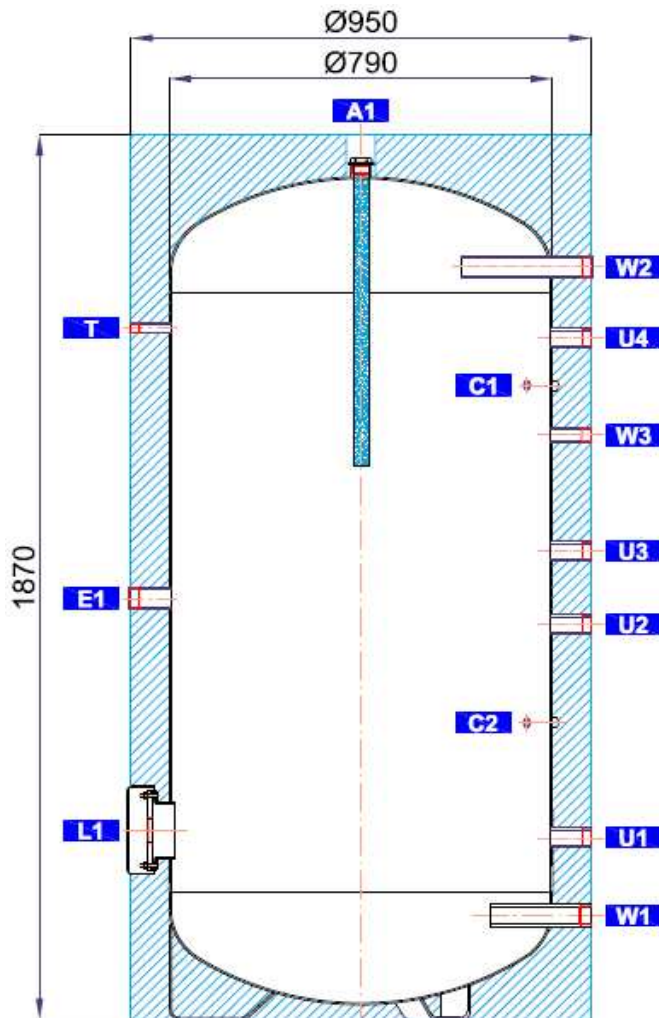
v1.2.1_03/2017



Main features	
Application	DHW heating
Description	hot water storage tank, permitting installation of an el. heating element
Working fluid	water
Code	10 364
Energy Efficiency Data (as per EC Regulation No. 813/2013)	
	R0BC 750
Energy efficiency class	N/A
Standing loss	121 W
Storage volume	763 l
Technical data	
Total tank volume	763 l
Max. working temperature in tank	95 °C
Max. working pressure in tank	10 bar
Materials	
Tank material	S235JR, inner surface enamelled (DIN 4756)
Tank perimeter insulation	PU foam (hard)
Insulation's outer surface	plastic
Dimensions, Tipping height, Weight	
Tank diameter	790 mm
Tank diameter with insulation	950 mm
Tank overall height	1870 mm
Tipping height	2100 mm
Empty weight	192 kg
Accessories	
El. heating element	models ETT-A, D, F, G, M
Heating elem. max. length / output	815 mm / 12,0 kW
Electronic anode rod	code 9 175
Spare parts (magnesium anode rods)	
Mg anode r. (A1), G 5/4"	code 464
Mg anode r. - chain type, G 5/4"	code 13 112

Dimensions

Tipping height 2100 mm.



TAPPINGS

pos.	connection	height [mm]
DHW heating		
W1	G 6/4" F	220
W2	G 6/4" F	1590
W3	G 1" F	1235
El. heating elements		
E1	G 6/4" F	890
Control and safety		
C1	G 1/2" F	1340
C2	G 1/2" F	685
T	G 1/2" F	1460
Universal inlet / outlet		
U1	G 5/4" F	385
U2	G 5/4" F	835
U3	G 5/4" F	990
U4	G 5/4" F	1440
Flange		
L1	8 x M10	400
Magnesium anode rod		
A1	G 5/4" F	1800