

R2DC 300 Hot Water Storage Tank

v1.1.2_04/2017

R2DC 300



Main features	
Application	DHW heating
Description	hot water storage tank with 2 integrated enamelled heat exchangers, permitting installation of an el. heating element
Working fluid	water (tank); water, water/glycol mixture (max. 1:1) or water/glycerine mixture (max. 2:1) (heat exchangers)
Code	11 352

Energy Efficiency Data (as per EC Regulation No. 813/2013)	
	R2DC 300
Energy efficiency class	C
Standing loss	85 W
Storage volume	275 l

Technical data	
Total tank volume	293 l
Fluid volume in tank	275 l
Upper heat exchanger (HE) volume	8 l
Lower heat exchanger (HE) volume	10 l
Upper heat exchanger surface area	1,0 m ²
Lower heat exchanger surface area	1,5 m ²
Max. working temperature in tank	95 °C
Max. working temperature in HE	110 °C
Max. working pressure in tank	10 bar
Max. working pressure in HE	10 bar

Materials	
Tank material	S235JR, inner surface enamelled (DIN 4756)
Heat exchanger material	S235JR+N, outer surface enamelled (DIN 4756)
Tank perimeter insulation	PUR foam (hard)
Insulation's outer surface	plastic

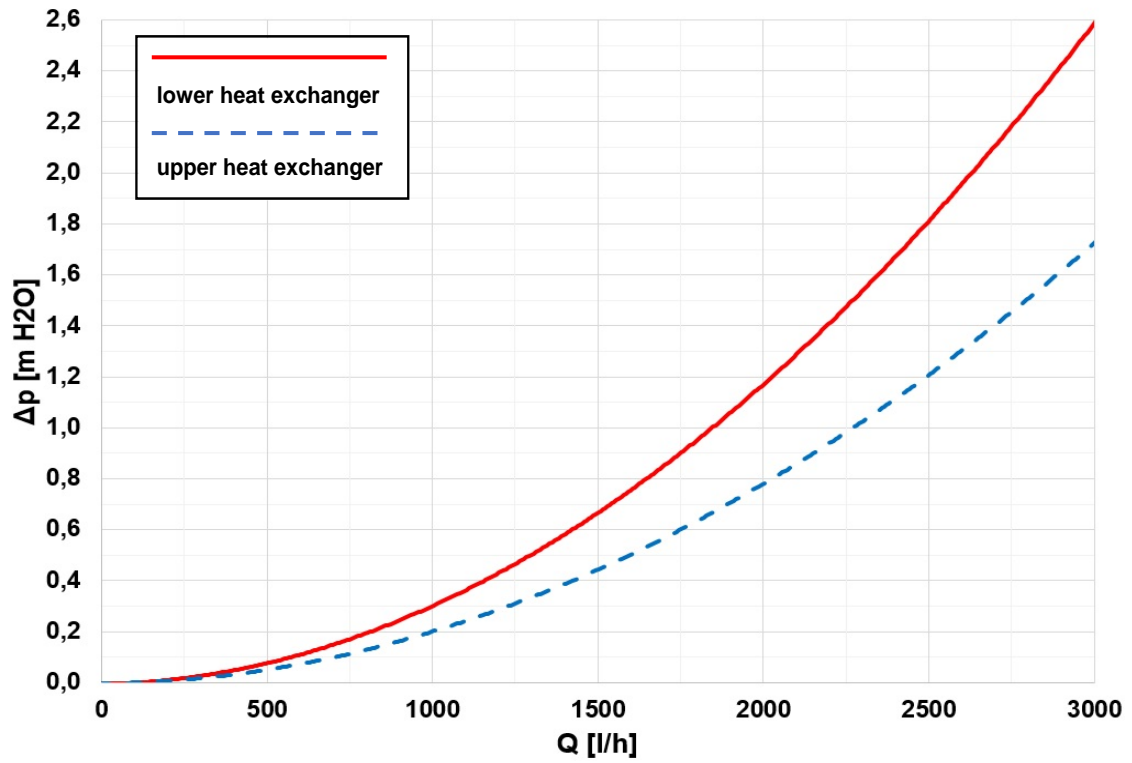
Hot water heating from 10 °C to 45 °C at heating water temp. of 60 °C	
Upper heat exchanger	590 l/h (24 kW)
Lower heat exchanger	860 l/h (35 kW)

Dimensions, Tipping height, Weight	
Tank diameter	500 mm
Tank diameter with insulation	597 mm
Tank overall height	1791 mm
Tipping height	1860 mm
Empty weight	125 kg

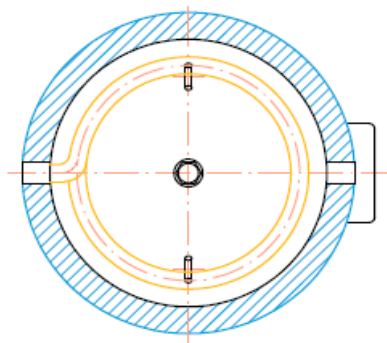
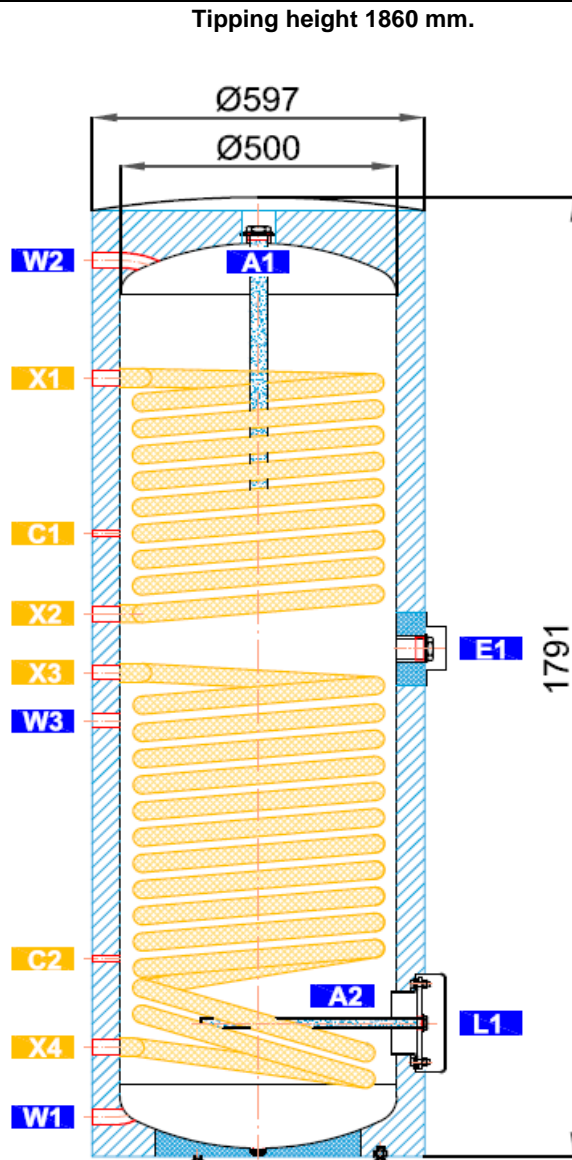
Accessories	
El. heating element	models ETT-A, D, F, G, M
Heating elem. max. length / output	495 mm / 6,0 kW
Electronic anode rod	code 9174

Spare parts (magnesium anode rods)	
Mg anode rod A1 (G 5/4")	code 448
Mg anode rod A2 (G 3/4")	code 1 998
Mg anode rod (G 3/4") with flange and gasket	code 16 268

Heat exchanger pressure drop



Dimensions



TAPPINGS

pos.	connection	height [mm]
DHW heating		
W1	G 3/4" M	74
W2	G 3/4" M	1674
W3	G 3/4" F	814
El. heating elements		
E1	G 6/4" F	948
Control and safety		
C1	G 1/2" F	1165
C2	G 1/2" F	369
Solar thermal system		
X1	G 3/4" M	1454
X2	G 3/4" M	1014
X3	G 3/4" M	904
X4	G 3/4" M	204
Magnesium anode rod		
A1	G 5/4" F	1722
A2	G 3/4" F	249
Flange		
L1	8 x M10	249

NOTE:

- 1) C1 and C2 tappings are supplied incl. adapter G 1/2" M - M12x1.5 and cable gland
- 2) earthing metal strip is run through the insulation next to the upper flange