

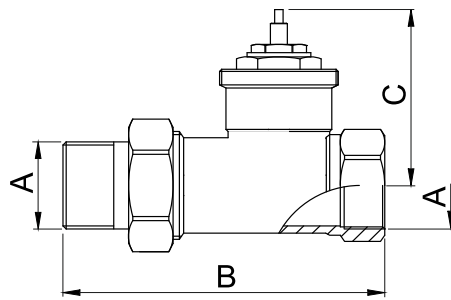


Radiator Valves and Fittings

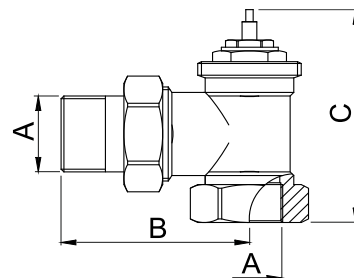
Radiator valves for thermostatic heads, not adjustable

<p>straight valve</p>  <p>angled valve</p> 	<p>Main Features</p>
	<p>Application: continuously regulates water flow to a radiator; for codes of thermostatic heads consult the Catalogue</p> <p>Working fluid: water, antifreeze fluid for heating systems</p>
	<p>Technical Data</p>
	<p>Max. working pressure: 10 bar</p> <p>Max. working temperature: 120°C</p> <p>Max. pressure difference: 1 bar</p> <p>Thermostatic head connection: M30 x 1,5</p>
	<p>Materials</p>
	<p>Valve body, union nut: brass</p> <p>Lid (knob): ABS</p> <p>O-ring: EPDM</p>

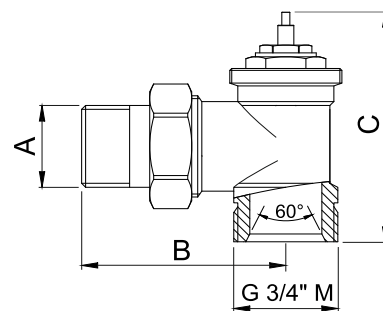
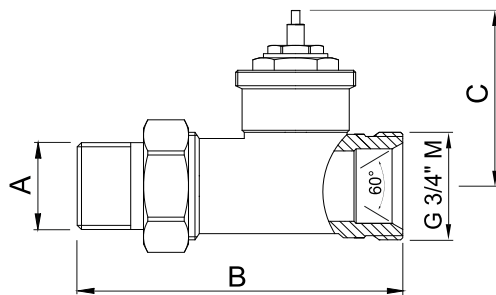
Dimensions



euroconus (code 17110)



euroconus (code 17111)



Version	Name	Code	A	B	C	Kv [m ³ /h]	Weight [g]
Straight	VTP 3/8"	17099	3/8"	71	43	0,8	170
	VTP 1/2"	16471	1/2"	77	45	1,4	240
	VTP 1/2" x EK	17110	1/2"	80	45	1,6	220
	VTP 3/4"	16472	3/4"	88	45	1,8	320
	VTP 1"	17108	1"	105	51	2,9	520
Angled	VTR 3/8"	17100	3/8"	44	59	1,8	150
	VTR 1/2"	16473	1/2"	52	62	2,2	220
	VTR 1/2" x EK	17111	1/2"	52	65	1,6	200
	VTR 3/4"	16474	3/4"	57	69	2,7	300
	VTR 1"	17109	1"	74	76	3,4	500

Radiator Valves and Fittings

Radiator H shut-off valves

straight valve



angled valve



Main features

Application	permits to regulate or completely stop the flow, intended to connect radiators of "valve compact" type, manual control
Working fluid	water, antifreeze fluid for heating systems

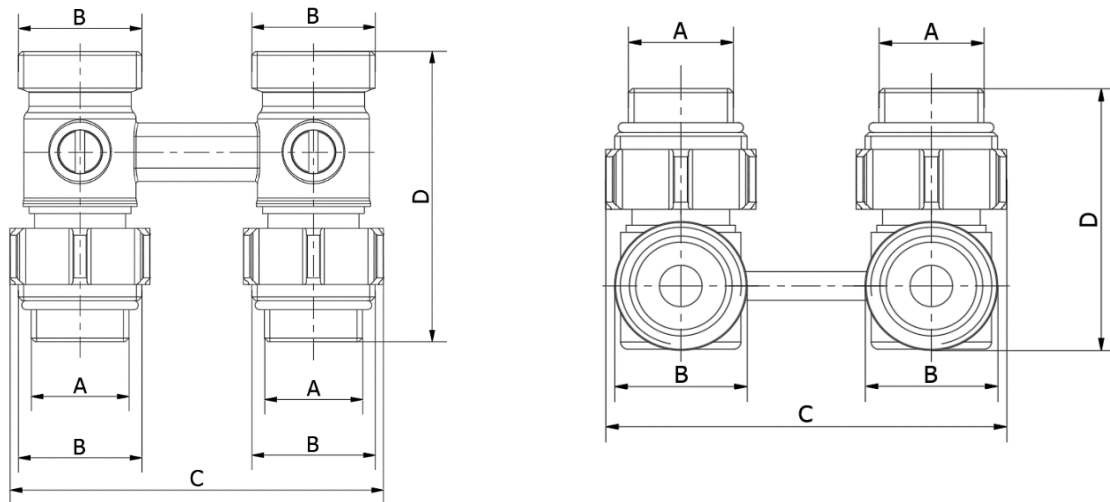
Technical Data

Max. working pressure	10 bar
Max. working temperature	120 °C

Materials

Valve body, union nut	brass
O-ring	EPDM

Dimensions



Version	Name	Code	A	B	C	D	Kv [m³/h]	Weight [g]
Straight	VTP 1/2" H	18058	1/2"	3/4"	80	64	3,3	320
Angled	VTR 1/2" H	18059	1/2"	3/4"	80	53	2,0	320

Radiator Valves and Fittings

Lockshield valves

straight lockshield valve



angled lockshield valve



Main Features

Application	permits to regulate or completely stop the flow at the radiator outlet, manual control
Working fluid	water, antifreeze fluid for heating systems
Installation	any position

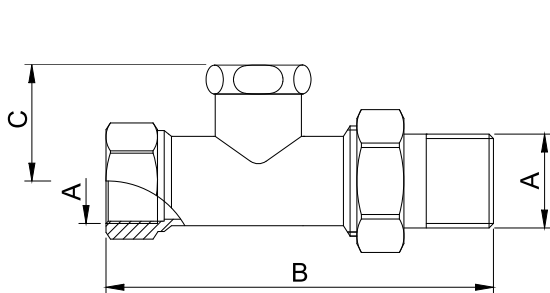
Technical Data

Working pressure	16 bar
Working temperature	120 °C

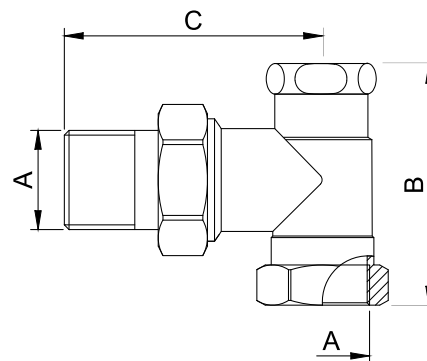
Materials

Valve body	brass
O-ring	EPDM

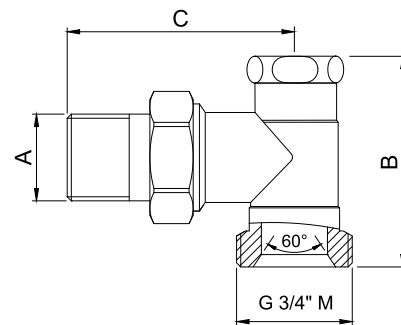
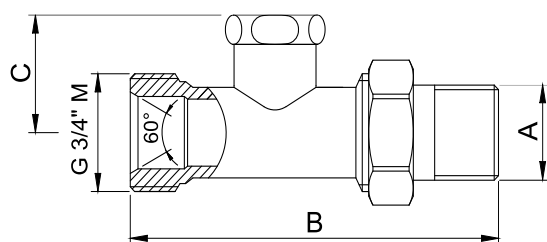
Dimensions



euroconus (code 17112)



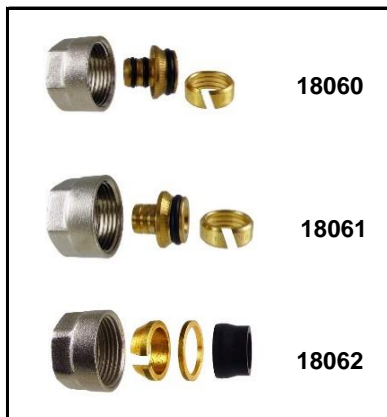
euroconus (code 17113)



Version	Name	Code	A	B	C	Kv [m³/h]	Weight [g]
Straight	VSP 3/8"	17101	3/8"	66	31	1,0	140
	VSP 1/2"	16479	1/2"	74	29	1,4	180
	VSP 1/2" x EK	17112	1/2"	74	29	1,6	180
	VSP 3/4"	16480	3/4"	86	29	1,4	260
Angled	VSR 3/8"	17102	3/8"	44	44	1,4	130
	VSR 1/2"	16481	1/2"	48	49	2,2	160
	VSR 1/2" x EK	17113	1/2"	47	49	1,9	160
	VSR 3/4"	16482	3/4"	51	60	2,2	220

Radiator Valves and Fittings

Compression fittings



Main Features	
Application	to connect ALPEX, PEX or Cu piping to heating radiators
Working fluid	water, antifreeze heat-transfer fluid for heating systems
Technical Data	
Max. working pressure	10 bar
Max. working temperature	120 °C
Materials	
Union housing	brass
O-ring	EPDM

Name	Marking	Code	Connections	Weight [g]
Compression fitting for ALPEX	ALPEX 16 x 3/4"	18060	16 x 3/4"	60
Compression fitting for PEX	PEX 16 x 3/4"	18061	16 x 3/4"	60
Compression fitting for Cu	Cu 15 x 3/4"	18062	15 x 3/4"	40