

DATA SHEET

RegulusBOX 12 CTC 3/3 Indoor Unit for CTC Heat Pumps



Main Features

Application	RegulusBOX is wall-hung indoor unit designed for easy connecting CTC heat pumps to a house heating system. A stainless-steel hot water storage tank NBC 170HP can be easily installed below RegulusBOX. With inverter heat pumps, RegulusBOX can be connected directly to a heating system, with ON/OFF heat pump models or for more heating circuits it shall be installed with a (combination) thermal store and a pump station for each heating system circuit.
Description	<p>Basic Elements of RegulusBOX Unit</p> <ul style="list-style-type: none"> ■ IR RegulusBOX Controller with remote access from a computer or mobile app ■ control unit with display (equipped with temperature and humidity sensors) that can be removed and used as a room unit with two-wire connection; in that case, a display blind plug (code 18248) shall be bought as well ■ electric boiler with an output of 12 kW switched in steps of 2 kW (maximum output can be limited) ■ Wilo Para 25/8 iPWM1 circulation pump ■ three-way motorized valve for switching the outputs of the heating system and DHW heating ■ pressure sensor for heating system pressure monitoring ■ automatic air vent valve ■ terminal block for connecting the heat pump and other accessories ■ circuit breaker for heat pump ■ circuit breaker for the controller <p>Enclosed Accessories</p> <ul style="list-style-type: none"> ■ mounting kit for easy installation on the wall rail ■ 1" Fu/F inlet ball valve with safety group to connect an expansion vessel with safety and drain valves ■ 1" Fu/F ball valve for output to the heating system ■ 1" Fu/M ball valve for outlet to the HW storage tank ■ control lever for ball valves ■ ball valve with filter and magnet for installation in the heat pump return pipe ■ outdoor temperature sensor ■ temperature sensor for hot water storage tank ■ mounting template ■ wall rail
Interface	integrated web server for remote management, accessible via LAN or over the Internet via Regulusroute service; website is optimized for mobile phones; integrated control unit with OLED display and 6 capacitive buttons, with temperature and humidity sensor; the unit can be moved indoors and used as a room control unit
Working fluid	water, antifreeze heat-transfer fluid for heating systems
Installation	RegulusBOX is designed for installation with CTC EcoAir / CTC EcoPart heat pumps. If used with EcoPart 414, 417, 612 and 616, the circulation pump needs to be removed from the heat pump and replaced by a pipe extension (code 17391). Install RegulusBOX indoors only.
Connection Dimensions*)	to heat pump – G 1" F to heating system – G 1" F to heat exchanger in HW tank TV – G 1" M to expansion vessel – G 3/4" M
Code	18054 – Czech menu / 18928 – English menu

*) With ball valves from accessory installed.

DATA SHEET

RegulusBOX 12 CTC 3/3 Indoor Unit for CTC Heat Pumps

Technical Data	
Fluid working temperature	5–90 °C
Max. working pressure	3 bar
Min. working pressure	0.5 bar
Ambient temperature	5–40 °C
Max. relative humidity	80 %, non condensing
Safety valve set pressure	3 bar
Safety valve seat cross section	132 mm ²
Safety valve discharge coefficient	0.3
3-way valve actuator run time	15 s
Fluid volume	10 l
Total weight without heating water	34 kg
Total weight with heating water	44 kg
Overall dimensions (W x H x D)	560 x 905 x 235 mm

Electric Data	
Power supply	3/N/PE ~ 400 / 230 V 50 Hz
Max. cross section of power cable	4 mm ² (stranded) / 6 mm ² (solid)
Nominal power input	12.2 kW (without heat pump connected)
Heating elements	2 x 6 kW (3 x 2 kW each – 230 V)
IP rating	IP20
Limitation of max. current to the connected heat pump	16 A (limited by controller)
Circuit breaker for heat pump	B16A 3f
Circuit breaker for controller, zone valve actuator, pump	B6A 1f

Connectivity, Memory Card	
Ethernet 100 Mbit/s	2 x
USB for connecting an optional WiFi USB adapter	1 x
RS485 for connecting a heat pump	1 x
CIB	1 x
TCL2	1 x
Micro SD memory card	1 x

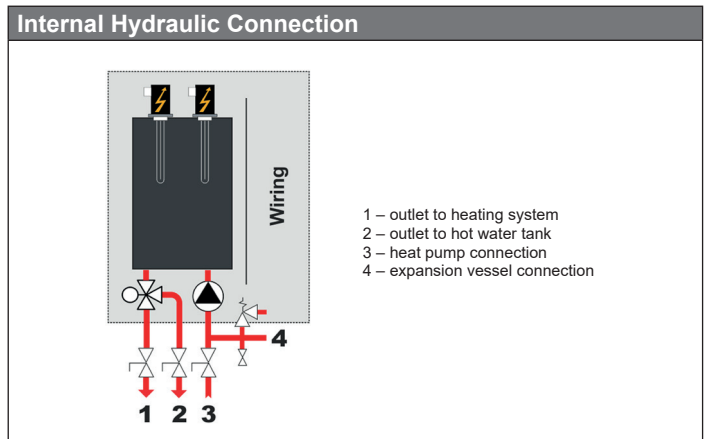
Inputs and Outputs for optional Accessories	
2 x relay outputs ^{*)}	230 V/5A (K4, K5)
3 x PWM outputs	24 V DC (AO0, AO1, PWM3)
4 x analog outputs	0–10 V (AO2-AO5)
1 x output for three-way valve control	230 V AC (K2, L2 IR)
1 x input for Ripple control	230–400 V AC (HDO)
1 x input for iPWM return signal from circulation pumps	A/DI16
15 x inputs for Pt1000 temperature sensors ^{**)}	measuring range –90 to 400 °C (A/DI0-A/DI13 a A/DI20)

^{*)} Can be optionally extended with 4x relay output by using the 4x RO module kit (code 19401).

^{**)} Inputs can also be used as binary potential-free inputs to connect e.g. an instantaneous circulation switch or a boost switch of the HRV unit etc.

Included in Supply	

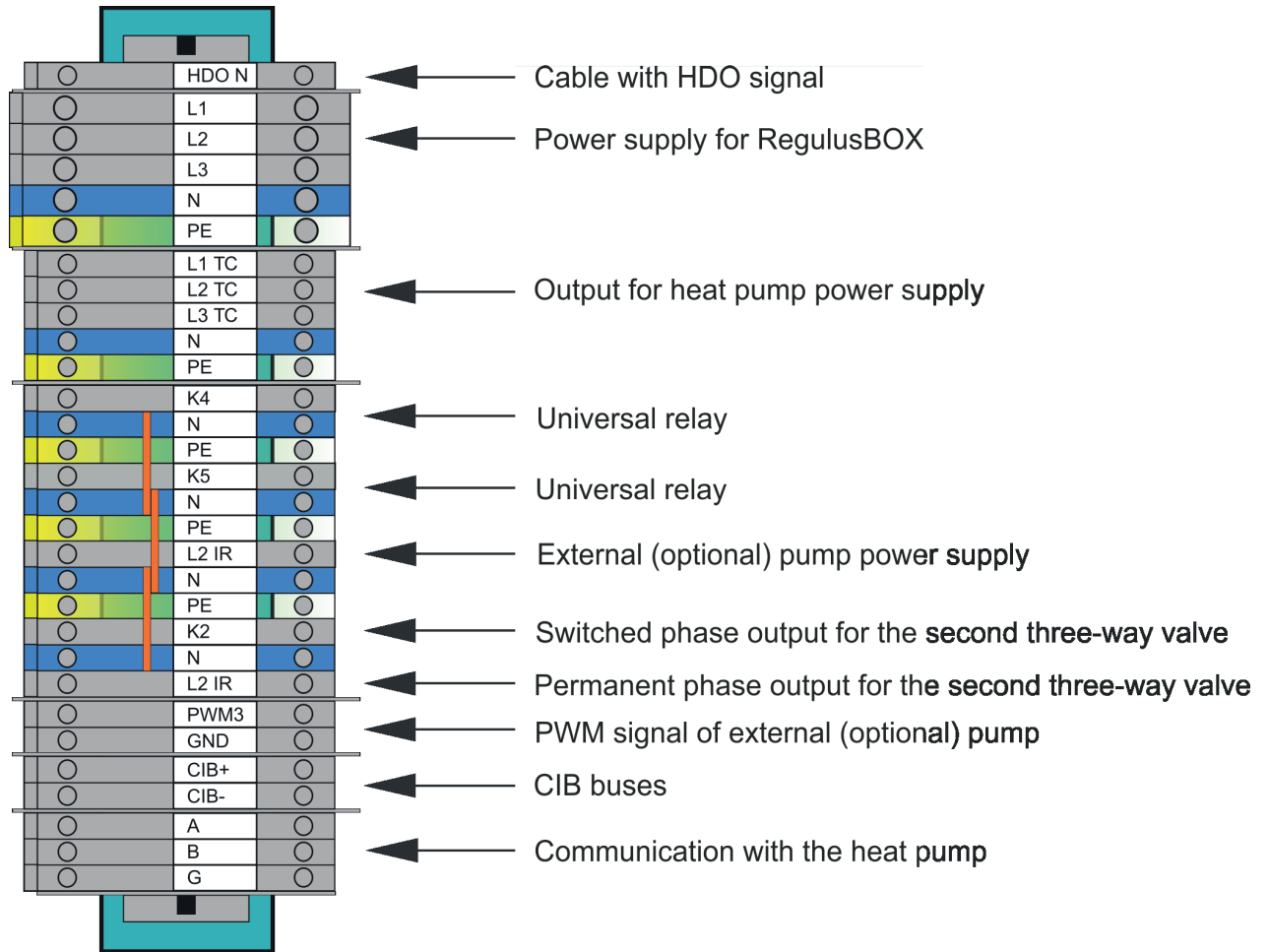
1 – 1" Fu/F ball valve with safety group
 2 – 1" Fu/F ball valve
 3 – control lever for ball valves
 4 – 1" Fu/M ball valve
 5 – mounting wall rail
 6 – mounting kit
 7 – ball valve with filter and magnet
 8 – Pt 1000 temperature sensor for hot water tank
 9 – Pt 1000 outdoor temperature sensor



DATA SHEET

RegulusBOX 12 CTC 3/3 Indoor Unit for CTC Heat Pumps

Electrical connection



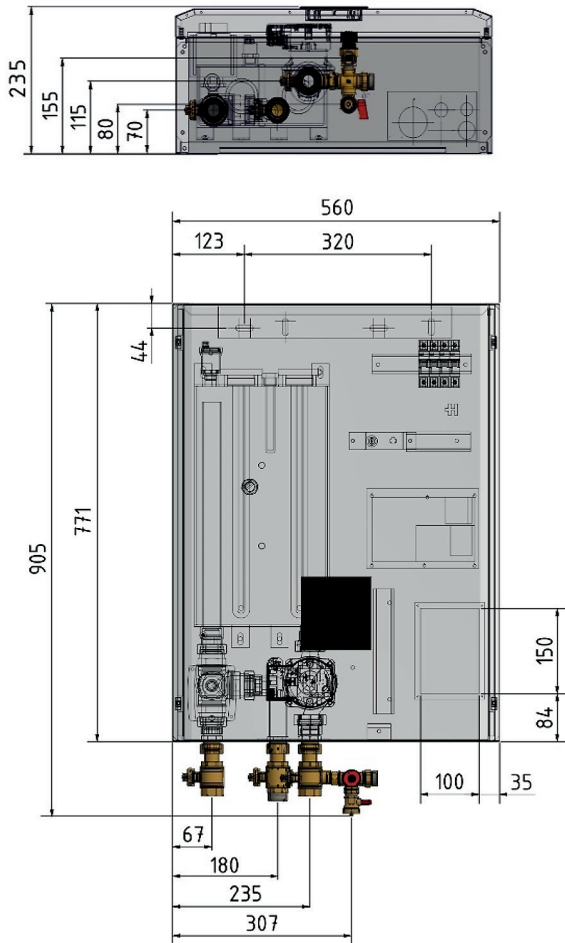
12	11	10	9	8	7	6	5	4	3	2	1
A/DI 5	AGND	A/DI 4	AGND	A/DI 3	AGND	A/DI 2	AGND	A/DI 1	AGND	A/DI 0	AGND

- A/DI 0 - outdoor temperature sensor connection
- A/DI 1 - storage tank (optional)
- A/DI 2 - DHW sensor connection
- A/DI 3 - Pt1000 room sensor (optional)

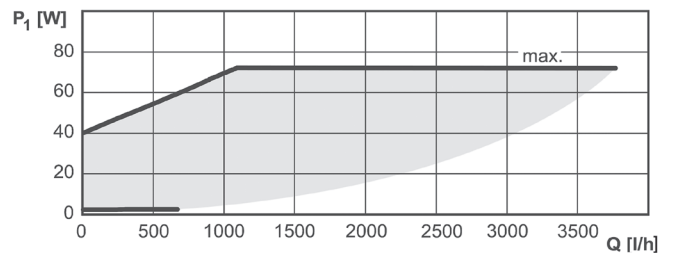
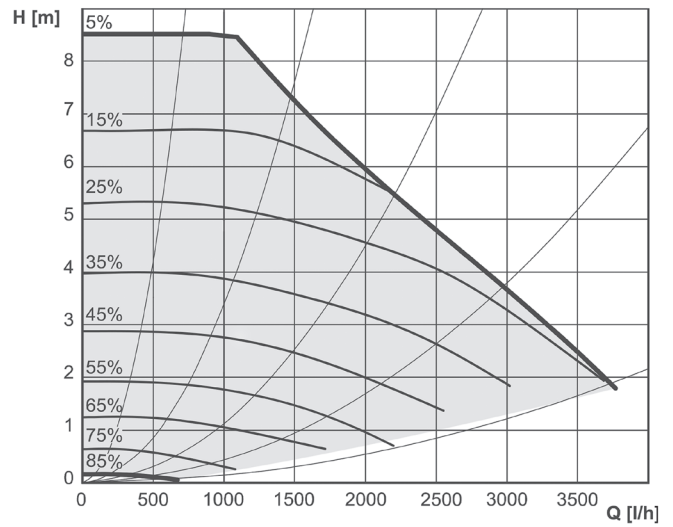
DATA SHEET

RegulusBOX 12 CTC 3/3 Indoor Unit for CTC Heat Pumps

Dimensions

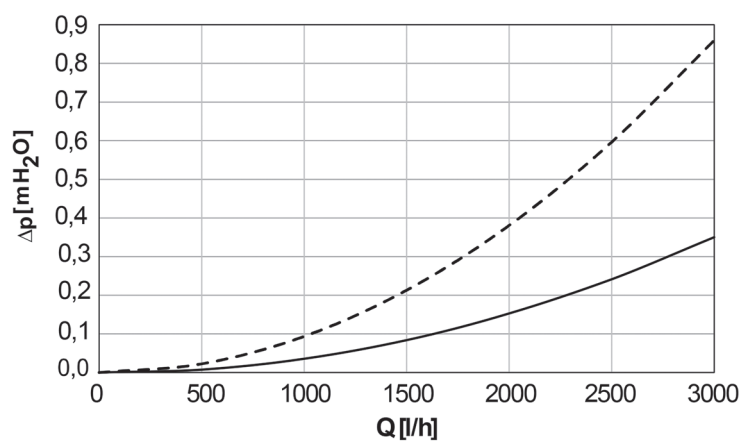


Performance Curves for Wilo Para 25/8 iPWM1 Pump



% – PWM signal

Pressure Drop Graph



- 3-way valve in the Heating position
- - - 3-way valve in the Hot water position