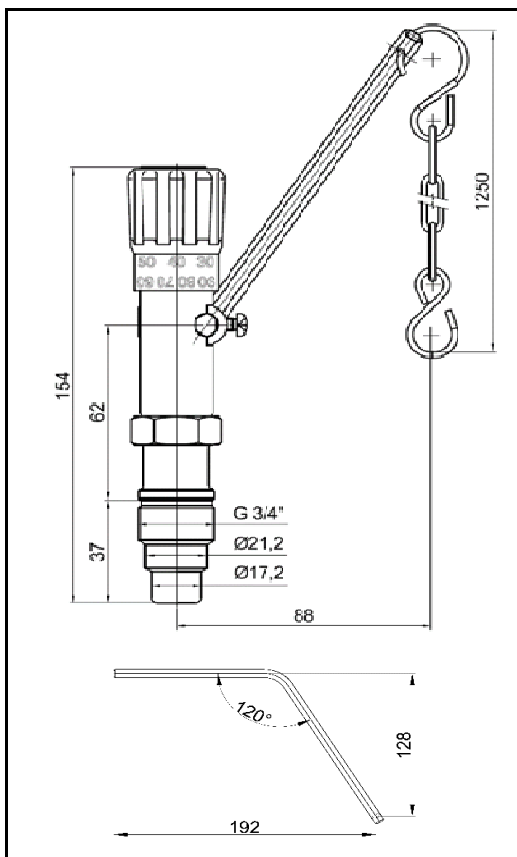


Draft Regulator, model RT4 T



Application	heating systems with solid-fuel fired heat sources
Purpose	keeping the temperature of working fluid from a solid-fuel fired heat source at the value set by the knob
Working fluid	water, water with glycol up to 1:1 ratio, thermal oil
Working position	vertical or horizontal
Code	14 138

Function

Automatic operation depending on the working fluid temperature. The movement of the thermostatic element (caused by working fluid temperature rising) is transferred via a lever mechanism and a chain to a combustion air inlet damper. The damper closes and the output of the solid-fuel fired heat source goes down. As the working fluid cools down, a compression spring acts against the element, the combustion air damper opens and the output of the heat source rises.

Technical data	
Connection size	G 3/4" M
Nominal pressure	PN 6
Max. working pressure	0.6 MPa
Max. fluid working temperature	120 °C
Working fluid temperature control range	30-90 °C
Max. ambient temperature	60 °C
Chain load	100-1000 g
Weight	415 g

Materials	
Sheath	nickel-plated brass
Body	chrome-plated zinc alloy
Knob	Bakelite
Lever	zinc-plated steel
Chain	zinc-plated steel