

TT-TDDW Heated Towel Rails with Thermostat



Main Features	
Application	heating of static or forced- flowing working fluid in heated towel rails
Description	electric heating element, resistance type, with white room thermostat switching on/off the heating element depending on the actual and desired room temperatures
Working fluid	water, water-glycol mixture (max. 1:1), thermal oil
Installation position	any except for vertical with el. cable upwards

Codes	
11034	for a heating element of 300W nominal output
11035	for a heating element of 400W nominal output
9143	for a heating element of 500W nominal output
11036	for a heating element of 600W nominal output
9144	for a heating element of 700W nominal output
11037	for a heating element of 800W nominal output
9145	for a heating element of 900W nominal output

Technical Data - thermostats (room / operating / safety types)		
Room thermostat	description	analog thermostat, temperature setting by dial
	switch-on contact	16 A
	standby power consumpt.	10 VA
	temper. adjustment range	7 - 30 °C
Operating thermostat	modes	comfort, day, night, antifrost protection, 2h timer
	description	fixed setting, automatic reset
	switch-off temperature	80 ± 5 °C
Safety thermostat	switch-on temperature	35 ± 15 °C
	description	fixed setting, no reset
	switch-off temperature	110 + 0 / - 5 °C

Electric Data	
El. Wiring	1/N/PE AC 230 V
Power supply	230 V 50 Hz
IP protection by EN 60529	IP44
Protection class by EN 61140 ed. 2	II

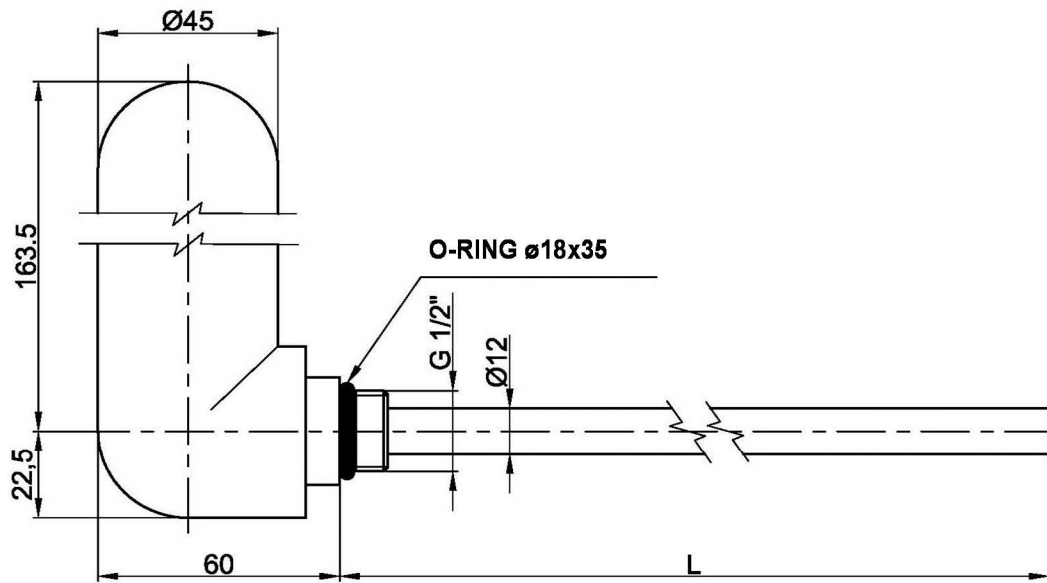
Power Cable	
Type marking	H05VV-F
Cross section area - length	3 x 0.75 mm ² - 1.2 m
Connection to mains	loose end cable

Materials	
Heating element	stainless steel AISI A304
Heating element housing	chrome-plated brass
Power cable	PVC

This heating element is designed to heat only fluids listed in this document. Heating other fluids, gases or vapours is not recommended.

TT-TDDW Heated Towel Rails with Thermostat

Dimensions



marking	nominal output [W]	nominal current [A]	element length L ± 5 mm [mm]	connection [-]
TT-TDDW-300	300	1,3	395	G 1/2"
TT-TDDW-400	400	1,7	435	
TT-TDDW-500	500	2,2	535	
TT-TDDW-600	600	2,6	585	
TT-TDDW-700	700	3,0	685	
TT-TDDW-800	800	3,5	735	
TT-TDDW-900	900	3,9	835	