

DATA SHEET

3-way Zone Ball Valves with Actuator, VZK-R model



Main Features

Application

It serves as a diverter valve for installation in heating and solar thermal systems. The valve does not interrupt the flow of fluid through the common port during switching. It can be used together with any controller or thermostat that has a 230 V switching contact to close the switched live of the actuator. In the event of a controller or thermostat failure, the actuator can be operated manually.

Working fluid

Water; water/glycol (max. 1:1) or water/glycerine (max. 2:1).

Installation

Any position, except for the actuator facing downwards.

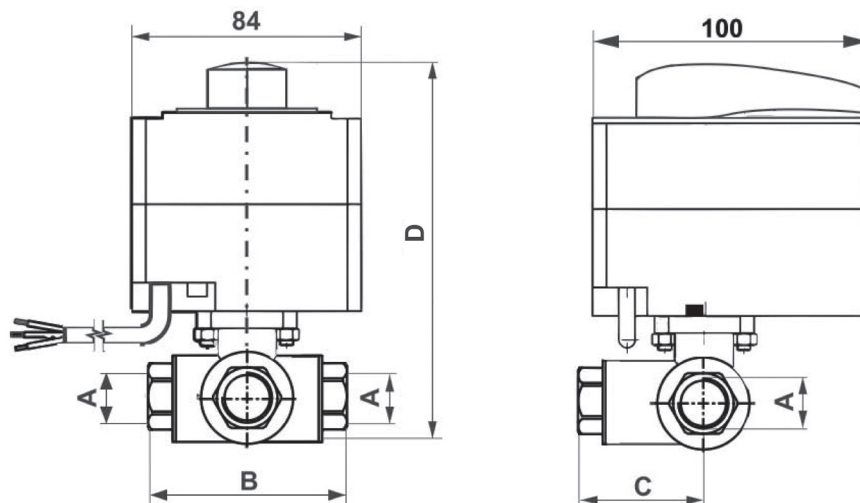
Table of Codes – L-bore Valves

Marking	Code	Connecting thread A	B	C	D	Open/close time [s]	K_{vs} [m ³ /h]	Weight [kg]
VZK R 320-230-1P-60 L 3/4F	19367	3 x G 3/4" F	96	50	160	60	10.5	1.3
VZK R 320-230-1P-60 L 1F	19366	3 x G 1" F	96	50	160	60	10.6	1.3
VZK R 325-230-1P L 3/4F	13603	3 x G 3/4" F	104	52	168	60	13.1	1.6
VZK R 325-230-1P L 1F	13604	3 x G 1" F	104	52	168	60	14.3	1.7
VZK R 325-230-1P-15 L 1F	19000	3 x G 1" F	104	52	168	15	14.3	1.7
VZK R 325-230-1P L 5/4F	18671	3 x G 5/4" F	104	52	168	60	14.3	1.8
VZK R 325-230-1P-15 L 6/4M	19005	3 x G 6/4" M	128	64	168	15	14.3	1.8

Table of Codes – T-bore Valves

Marking	Code	Connecting thread A	B	C	D	Open/close time [s]	K_{vs} straight [m ³ /h]	K_{vs} angled [m ³ /h]	Weight [kg]
VZK R 320-230-1P-60 T 3/4F	19189	3 x G 3/4" F	96	50	160	60	17.8	10.5	1.3
VZK R 320-230-1P-60 T 1F	19187	3 x G 1" F	96	50	160	60	19.5	10.6	1.3
VZK R 325-230-1P T 3/4F	18673	3 x G 3/4" F	104	52	168	60	20.0	13.1	1.6
VZK R 325-230-1P T 1F	18550	3 x G 1" F	104	52	168	60	28.3	14.3	1.7
VZK R 325-230-1P-15 T 1F	19001	3 x G 1" F	104	52	168	15	28.3	14.3	1.7
VZK R 325-230-1P T 5/4F	18676	3 x G 5/4" F	104	52	168	60	28.3	14.3	1.8
VZK R 325-230-1P-15 T 6/4M	19006	3 x G 6/4" M	128	64	168	15	28.3	14.3	1.8

Dimensions



DATA SHEET

3-way Zone Ball Valves with Actuator, VZK-R model

Technical Data

Max. working pressure	10 bar
Max. fluid working temperature	110 °C
Angle of rotation	90°
Ambient working temperature	5–40 °C
Max. pressure difference	10 bar

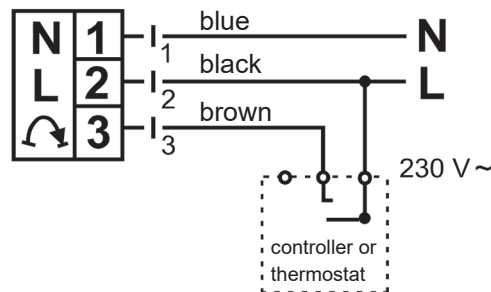
Electric Data

Power supply	230 V 50 Hz
Max. power consumption	4 VA
Max. current	17 mA
Torque	5 Nm
IP rating	IP42
Protection class	II
Power cable cross section	3 x 0.5 mm ²
Power cable length	2 m

Materials

Valve housing	CW617N
Valve spindle	nickel-plated brass
Valve ball	chrome-plated brass
O-rings	EPDM, FPM
Seal	PTFE
Power cable	PVC

Electrical Wiring



The actuator is controlled by the switching contact of the controller or thermostat 230 V, 50 Hz. Permanent power supply is applied to terminals 1 and 2. The switched live is connected to terminal 3.

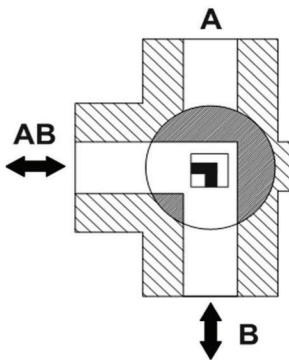
DATA SHEET

3-way Zone Ball Valves with Actuator, VZK-R model

Installation and Operation

- Fluid can flow in either direction through the valve (the common port can be used as an inlet or outlet).
- The direction of fluid flow is indicated on the actuator or by a groove on the valve spindle (after removing the actuator).
- A label showing the fluid flow direction in colour corresponding to the lever position is placed on the actuator.
- The default position as well as the sense of rotation can be changed, see the Instruction Manual.

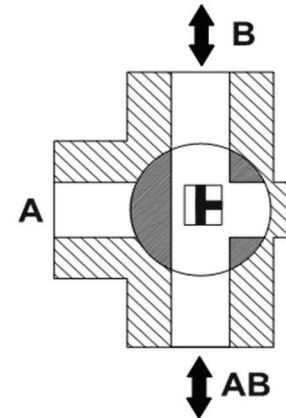
Factory setting



L-bore valve



T-bore valve



Actuator with label

