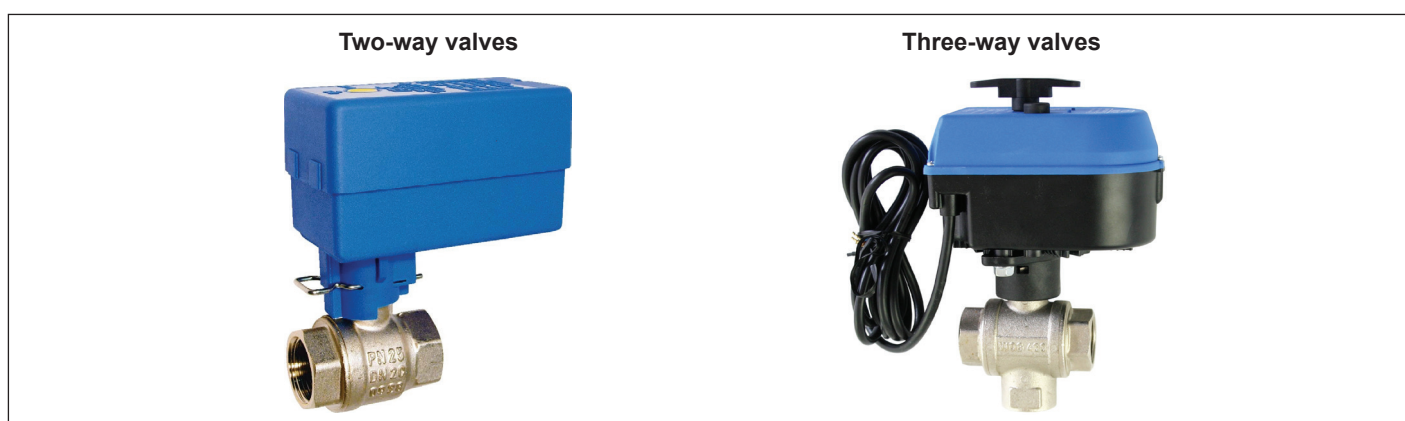


VZK Zone Ball Valve with Actuator



Main Features	Two-way valves	Three-way valves
Application	Sanitary and drinking water piping, heating and solar thermal systems, not for gravity circulation systems.	Sanitary and drinking water piping, heating and solar thermal systems, not for gravity circulation systems.
Working fluid	Water-glycol mixture (max. 1:1), water-glycerine mixture (max. 2:1), water, drinking water.	Water-glycol mixture (max. 1:1), water-glycerine mixture (max. 2:1), water, drinking water.
Installation position	Any, except for the position with the actuator downwards.	Any, except for the position with the actuator downwards.

Type	VZK 215	VZK 220	VZK 225	VZK 320	VZK 325
Codes	11288	10344	11289	11293	11294

Control	two-point (SPST)	two-point (SPST)
Electric control	The valve requires Neutral, Switched Live (black) and Permanent Live (brown); the valve is closed without Switched Live, as soon as Switched Live is present, the valve opens.	The valve requires Neutral, Switched Live (black) and Permanent Live (brown); the port B is open without Switched Live, as soon as Switched Live is present, the port A opens.
Antiblock function	If valve shift is blocked by an obstacle, the actuator will stop and turn in the other direction by 270°.	–
End switch	At the end position, 230 V is present on the red wire that can be used to control a circulation pump.	At the end position, 230 V is present on the red wire that can be used to control a circulation pump.
Manual control	After removing the retaining spring, the actuator can be shifted upwards; the valve will shift by rotating the actuator.	By pressing and turning the push button with a screwdriver, the actuator motor drive will be disengaged; by turning the handle the desired valve position can be adjusted.
Shift time	30 s	64 s
Opening angle	90°	180°

Technical Data	
Max. working pressure	16 bar
Fluid working temperature	up to 110 °C
Max. pressure difference	10 bar

DATA SHEET

VZK Zone Ball Valve with Actuator

Actuator Data

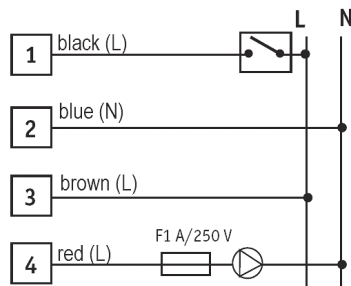
Power supply	230 V 50 Hz	230 V 50 Hz
Power consumption	7 W	9 W
Current	30 mA	40 mA
Idle power	3 W	5 W
Torque	8 Nm	15 Nm
IP rating	IP44 by ČSN EN 60529	IP44 by ČSN EN 60529
Protection class	II by EN 61140 ed. 2	II dle ČSN EN 61140 ed. 2
Electromagnetic compatibility	dle ČSN EN 50130-4	dle by EN 50130-4
Ambient working temperature	0 to 55 °C	0 to 55 °C
Power cable cross section	4 x 0.50 mm ²	4 x 0.50 mm ²
Power cable length	0.3 m	2 m

Materials

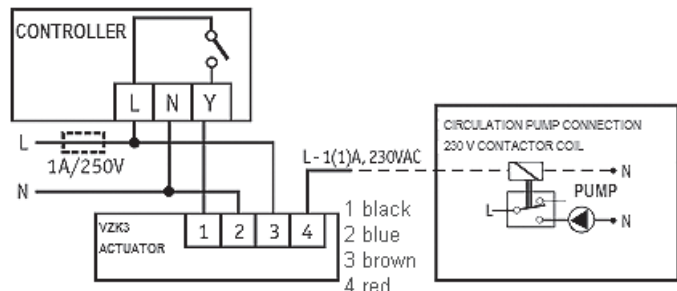
Valve housing		
Valve spindle		
Valve ball		
O-ring	FPM	FPM
Power cable	PVC	PVC

EI. wiring

Two-way valves

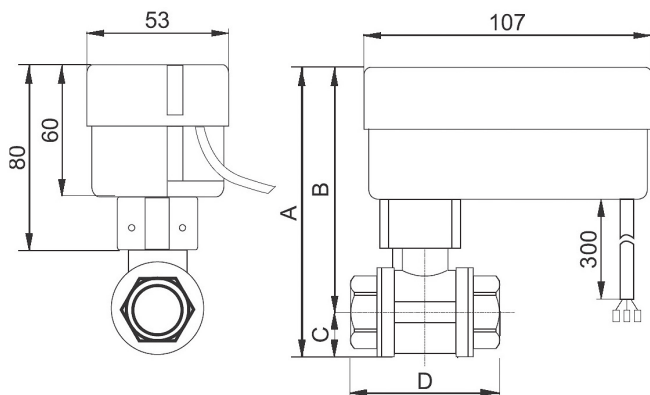


Three-way valves

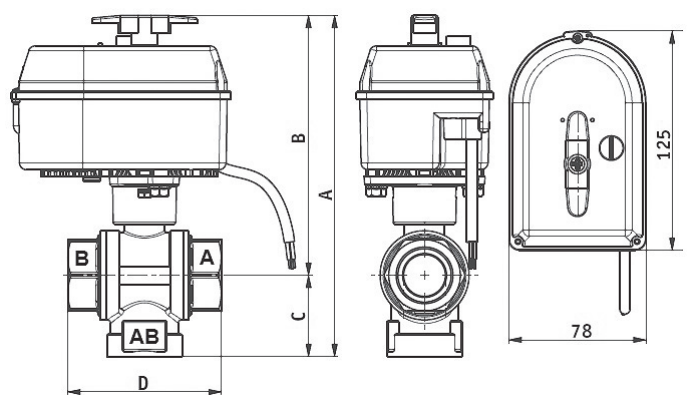


Dimensions

Two-way valves



Three-way valves



DATA SHEET

VZK Zone Ball Valve with Actuator

Parameters		Type	Two-way valves			Three-way valves	
			VZK 215	VZK 220	VZK 225	VZK 320	VZK 325
Connection			G 1/2" F	G 3/4" F	G 1" F	G 3/4" F	G 1" F
Dimensions	A	[mm]	126	129	137	183	194
	B	[mm]	108.5	109.5	113.5	144	148
	C	[mm]	17.5	19.5	23.5	39	46
	D	[mm]	63	57	68	74	88
K_{vs}		[m ³ /h]	8.5	20	30	7	11
Weight		[kg]	0.68	0.65	0.81	1.25	1.53

Pressure drop graph

