

ZVP Zone Valves with return spring

Two-way valves



Three-way valves

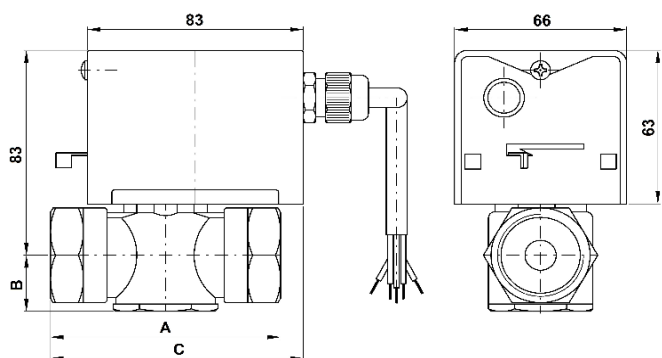


Main features					
Application	heating or solar thermal systems, except for systems with gravity circulation			heating or solar thermal systems, except for systems with gravity circulation	
Working fluid	water, water/glycol mixture (max. 1:1), water/glycerine mixture (max. 2:1)			water, water/glycol mixture (max. 1:1), water/glycerine mixture (max. 2:1)	
Installation position	any, except for the actuator downwards			any, except for the actuator downwards	
Model	VZP 215	VZP 220	VZP 225	VZP 315	VZP 320
Codes	12856	12857	12858	12854	12855
Control	closing with return spring			closing with return spring	
De-energized	port B closed			port B open	
Energized	valve open			port A open	
Manual control (by lever)	valve open			ports A and B open	
Closing time - spring	cca 6 s			cca 6 s	
Closing time - actuator	cca 10 s			cca 10 s	
Valve					
Connection	G 1/2"	G 3/4"	G 1"	G 1/2"	G 3/4"
K_{vs} value	2.2 m ³ /h	3.0 m ³ /h	4.6 m ³ /h	2.2 m ³ /h	3.0 m ³ /h
Max. pressure difference	2 bar	1,8 bar	1,5 bar	2 bar	1,8 bar
Weight	0.8 kg	0.8 kg	1.0 kg	0.8 kg	0.8 kg
Max. working pressure	1.6 MPa			1.6 MPa	
Fluid working temp.	5-95 °C permanent, 120 °C temporary (max. 1 h)			5-95 °C permanent, 120 °C temporary (max. 1 h)	
Actuator					
Actuator	removable after pressing a lock button, valve dismounting not needed			removable after pressing a lock button, valve dismounting not needed	
Power supply	230 V 50 Hz			230 V 50 Hz	
Power consumption	7 W			7 W	
Current	35 mA			35 mA	
Endstop switch	potential-free, closed when valve fully open			potential-free, closed when valve fully open	
IP rating	IP20 per EN 60 529			IP20 per EN 60 529	
Protection class	II per EN 61 140 ed. 2			II per EN 61 140 ed. 2	
Elmag. compatibility	per EN 50 130-4			per EN 50 130-4	
Ambient working temp.	5 - 60 °C			5 - 60 °C	
Power cable - cross section	5 x 0.75 mm ²			5 x 0.75 mm ²	
Power cable - length	1 m			1 m	
Power cable - gland	Pg 9			Pg 9	
Materials					
Valve housing	forged brass			forged brass	
Spindle and spring	stainless steel			stainless steel	
Actuator cover	stainless steel (bottom part), aluminium alloy (upper part)			stainless steel (bottom part), aluminium alloy (upper part)	
Power cable	PVC			PVC	

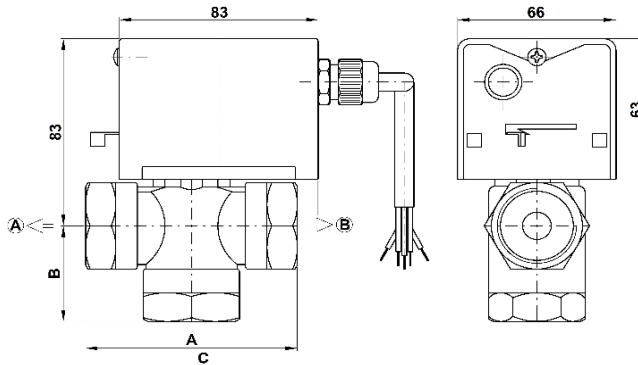
VZP Zone Valves with return spring

Dimensions

Two-way valves

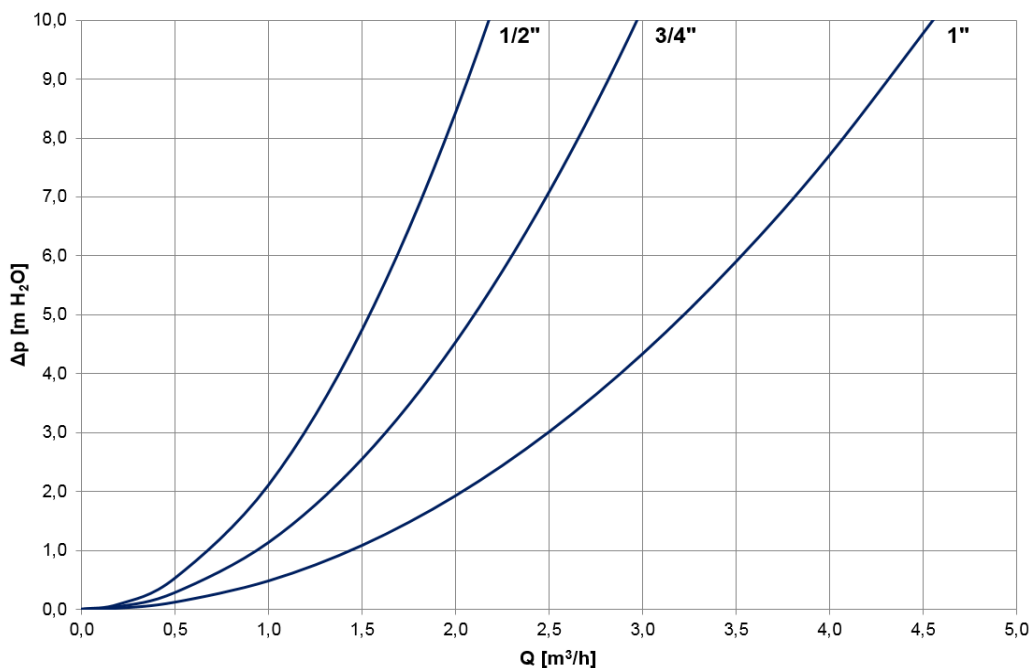


Three-way valves



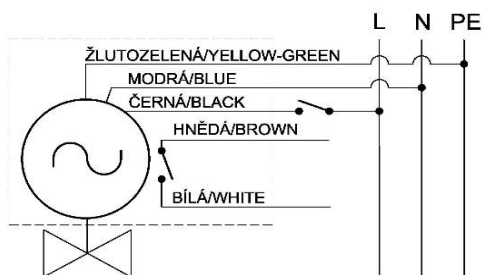
Model	VZP 215	VZP 220	VZP 225	VZP 315	VZP 320
Connection	G 1/2"	G 3/4"	G 1"	G 1/2"	G 3/4"
A	72 mm	78 mm	88 mm	72 mm	78 mm
B	22 mm	22 mm	23 mm	28 mm	33 mm
C	90 mm	90 mm	95 mm	86 mm	90 mm

Pressure drop graph



El. wiring

Two-way valves



Three-way valves

