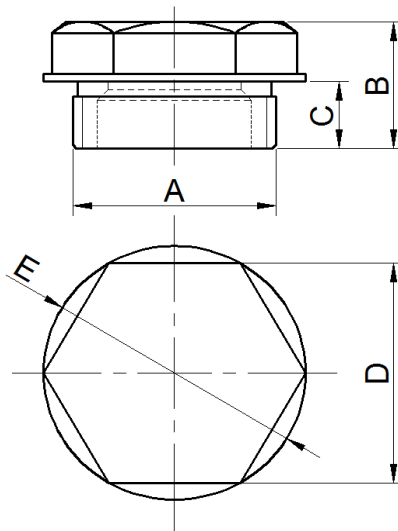


**Plugs (brass)**



Main features	
Application	cold and hot water distribution systems
Description	hex brass plug, outer thread; sizes 3/8", 1/2", 3/4" come with gasket
Working fluid	water and antifreeze fluid for heating systems, heat pumps and solar thermal systems
Technical data	
Max. working pressure	16 bar
Max. working temperature	160 °C
Materials	
Plug body	brass CW617N

**Drawing, dimensions**



Item	Dimensions [mm]					Weight [g]	Code
	A	B	C	D	E		
<b>Plug 3/8"</b>	G 3/8"	15	11	19	24	20	<b>7956</b>
<b>Plug 1/2"</b>	G 1/2"	16	10	22	27	30	<b>7634</b>
<b>Plug 3/4"</b>	G 3/4"	17	10	27	34	45	<b>7954</b>
<b>Plug 1"</b>	G 1"	24	13	27	40	55	<b>7691</b>
<b>Plug 5/4"</b>	G 5/4"	29	15	27	48	145	<b>14948</b>
<b>Plug 6/4 "</b>	G 6/4"	29	18	27	54	150	<b>7881</b>