

LOAD UNITS FOR BOILERS

RegulusBIO 55 MIX-BP G 1F Load Unit for heating systems with solid fuel (biomass) boiler and thermal store



The RegulusBIO 55 MIX-BP G 1F Load Unit is designed for heating systems with a solid fuel boiler with a thermal store, with the possibility of DHW heating. Water to the heating system is mixed in a 3-way mixing valve, the temperature of return water to the boiler is kept by a load valve at a minimum temperature of 55° C.

Excess boiler output is stored in the thermal store. Heating output is controlled by an external controller by controlling the motorised mixing valve.

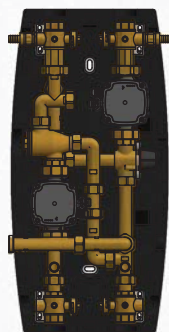
The actuator and controller are not included.

Technical Data

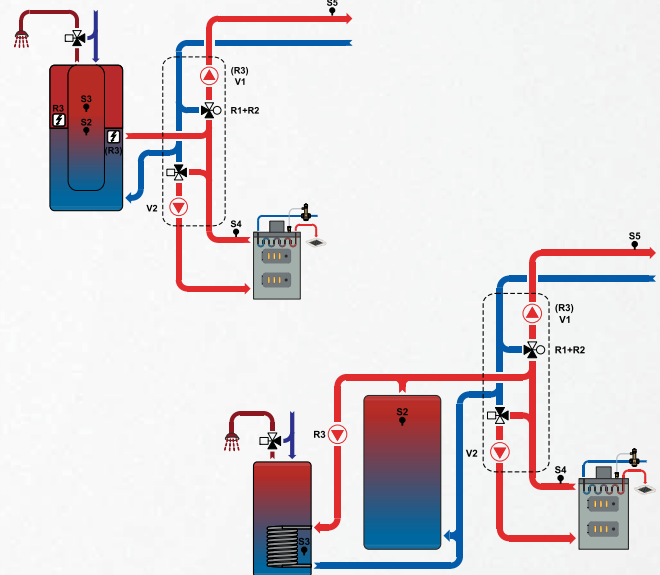
CONNECTIONS	1" F
FLUID WORKING TEMPERATURE	5 - 95 °C
NOMINAL INLET TEMPERATURE TO BOILER	55 °C
POWER SUPPLY	230 V, 50 Hz
PIPE DISTANCE	125 mm
DIMENSIONS	640 x 250 x 350 mm
PUMP	Grundfos UPM3 25-75
PUMP CONTROL	manual or PWM
MAX. HEAD	7.5 m
MAX. BOILER OUTPUT	38 kW
CODE	17553

Components

- Heating system pump inc. power cable
- Boiler pump incl. power cable
- TSV3B load valve
- 3-way mixing valve for heating system
- 2 ball valves and 2 drain valves, to shut off and drain a heating system
- 2 ball valves to shut off a boiler
- 4 thermometers



Connection in a system



Possible variants on order:

- connections: 3/4", 5/4", Cu22, Cu28.
- return water temperature: 45, 50, 60, 65, 70 °C
- safety valve 1,5-6 bar
- motorised mixing valve actuator, optionally adjustable to either a constant temperature or with weather-compensated control