

G 6/4" ELECTRIC HEATING ELEMENTS with thermostatic head and contactor

Output: 2 - 9 kW
Application: thermal stores and hot water storage tanks



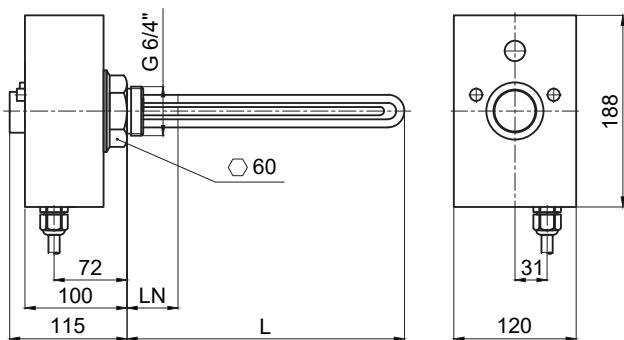
ETT-P Electric Heating Elements

Nickel-plated resistance heating elements **with a thermostatic head and contactor**, intended for heating of static heating water or antifreeze fluid in thermal stores or for drinking water heating in hot water storage tanks. These elements are not intended for stainless steel tanks. They **are suitable for drinking water heating** in hot water storage tanks.

They are designed to be installed in a horizontal position so that the element is completely immersed, the cable gland downwards. They are power supplied by a 7-core cable wired to a terminal box or fuse board.

The heating element features one input for a Ripple control signal and one for master heating system controller.

DIMENSIONS, MODELS



TECHNICAL DATA

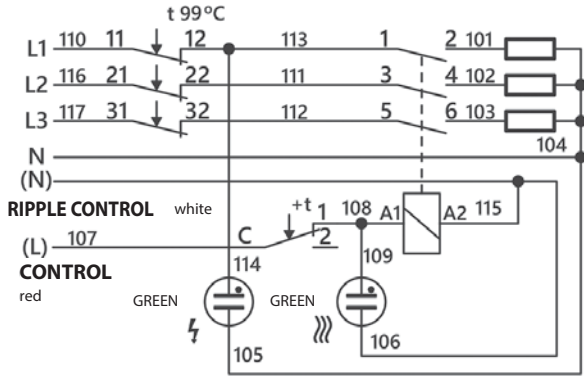
HEATING ELEMENT CONNECTION	nickel plated copper G 6/4" M
HEXAGON WITH G 6/4" THREAD	nickel plated brass
POWER SUPPLY	400/230V 50 Hz
IP RATING	IP 54
PROTECTION CLASS BY EN 61140 ed.2	I
OPERATING THERMOSTAT	capillary type, adjustable
SWITCH-OVER CONTACT TEMPERATURE	16 A
ADJUSTMENT RANGE	from 0 ± 5 °C to 90 ± 3 °C
TEMPERATURE ADJUSTMENT METHOD	rotating knob
SWITCHING DIFFERENCE	5 ± 1.5 °C
LOWER LIMIT	about 15 °C - frost protection
UPPER LIMIT	about 60 °C - for HW storage tanks
SAFETY THERMOSTAT	capillary type, fixed setting
SWITCHING TEMP.	99 +0/-6 °C
RESET	manual, after temperature drops below 80 °C
CONTACTOR	AC1 : 20 A / 690 V, 1Z
COIL VOLTAGE	AC 220 - 240 V
FREQUENCY	50 Hz

MODEL		ETT-P 2.0	ETT-P 3.0	ETT-P 4.5	ETT-P 6.0	ETT-P 7.5	ETT-P 8.2	ETT-P 9.0
NOMINAL OUTPUT	kW	2.0	3.0	4.5	6.0	7.5	8.2	9.0
NOMINAL CURRENT	A	2.9	4.3	6.5	8.7	10.8	11.9	13.0
ELEMENT LENGTH (L)	mm	310	370	500	555	635	700	755
NON-HEATING END LENGTH (LN)	mm	180	180	180	180	180	180	180
CODE	--	19041	19043	18915	18386	19045	19042	19044

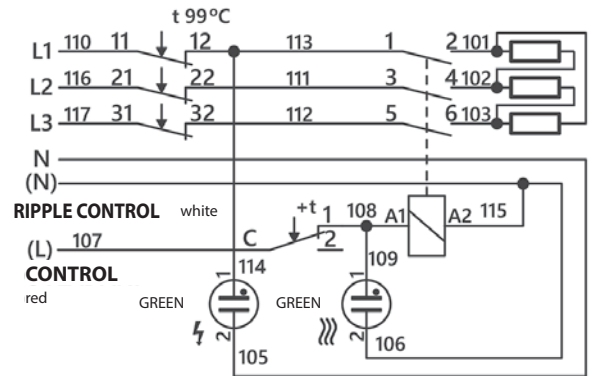
ELECTRIC WIRING

3/N/PE AC 400/230V

2- 6 kW

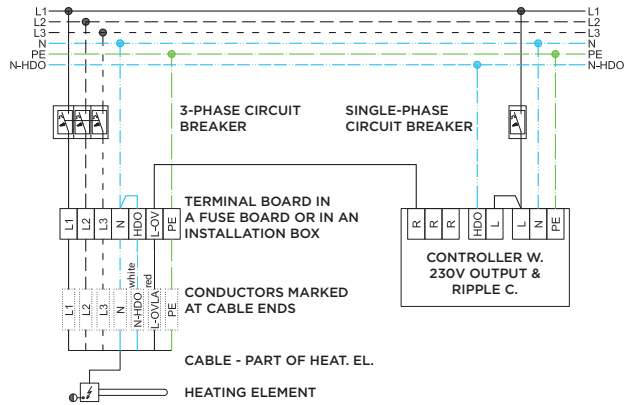


7,5 - 9 kW

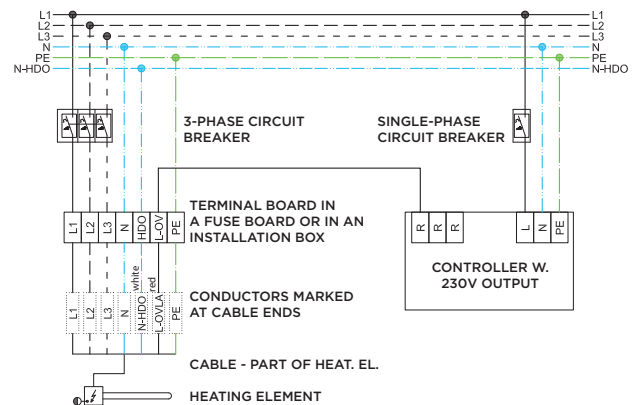


WIRING EXAMPLES

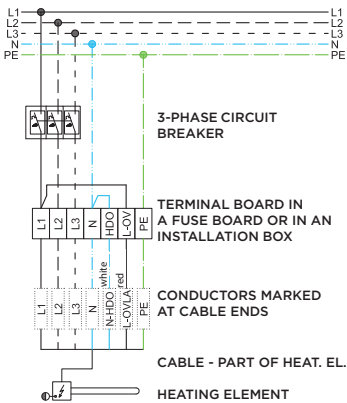
Control via external controller w. Ripple control



Control via external controller without Ripple control



Control via integrated thermostat without Ripple control



Control via integrated thermostat w. Ripple control

