

MIXING VALVES & ACTUATORS



AVC and ACC actuators for mixing valves

Actuators designed to control mixing valves.

The valve position is indicated by a LED, simple and quick installation, quiet operation. A special design prevents damage if the valve gets blocked.

Technical Data

DIMENSIONS	84 x 101 x 85 mm
MATERIALS	
ACTUATOR COVER	Polycarbonate
POWER CABLE	PVC

Models

Control	3-point					Proportional 0-10 V		Own controller to constant temperature	
TORQUE	5 Nm	5 Nm	5 Nm	5 Nm	5 Nm	10 Nm	5 Nm	6 Nm	6 Nm
SHIFT TIME	60 s	120 s	240 s	120 s	240 s	60 - 120 s	60 - 120 s	120 s	120 s
AUXILIARY SWITCH	no	no	no	no	yes	no	no	no	no
POWER SUPPLY	230V 50Hz	230V 50Hz	230V 50Hz	24V 50Hz	230V 50Hz	24V 50Hz	24V 50Hz	230V 50Hz	230V 50Hz
POWER INPUT	4 VA	4 VA	4 VA	4 VA	4 VA	4 VA	4 VA	5 VA	5 VA
IP/PROT. CLASS	IP42/II	IP42/II	IP42/II	IP42/II	IP42/II	IP42/II	IP42/II	IP42/I	IP42/I
AMBIENT TEMPERATURE	0 to 40 °C	0 to 40 °C	0 to 40 °C	0 to 40 °C	0 to 40 °C	0 to 40 °C	0 to 40 °C	0 to 60 °C	0 to 60 °C
SENSOR	--	--	--	--	--	--	--	Pt1000 1 pc	Pt1000 2 pc
CODE	10875	9193	10876	11118	10878	10873	14682	12852	12853

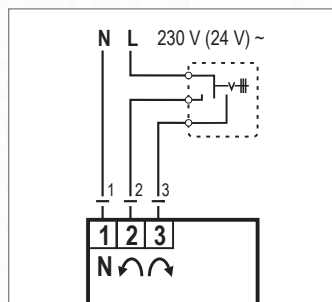
POWER CABLE

CROSS SECTION	3x0.5 mm ²	3x0.5 mm ²	3x0.5 mm ²	3x0.5 mm ²	5x0.5 mm ²	4x0.5 mm ²	4x0.5 mm ²	3x0.5 mm ²	3x0.5 mm ²
LENGTH	2 m	2 m	2 m	2 m	2 m	2 m	2 m	2 m	2 m

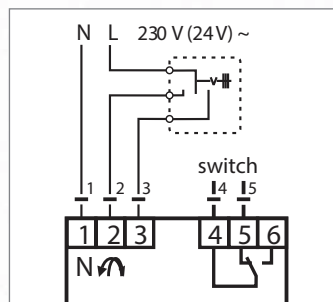
The actuator with 2 Pt1000 sensors, code 120853, is equipped with a differential thermostat suitable to control constant return temperature in solid fuel boilers and to switch off a circulation pump when the boiler goes out.

El. wiring

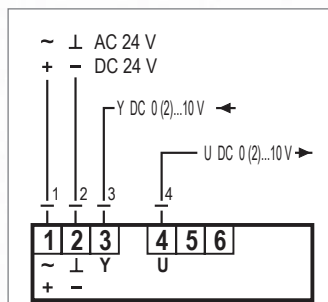
3-point control
10 875, 9 193, 10 876, 11 118



3-point control with auxiliary switch
10 878



0-10V proportional control
10 873, 14 682



Control to constant temperature
12 852, 12 853

