

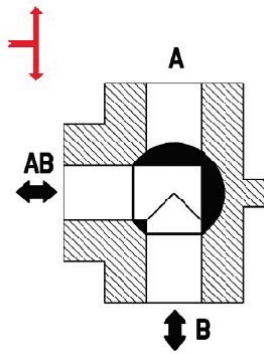
THREE-WAY ZONE VALVES

VZU S Three-way Zone Ball Valve

Zone ball valves intended for heating or solar thermal systems with water or antifreeze fluid and for drinking water systems.

The valve is equipped with a **three-point control actuator (SPDT), mixing possible**. The actuator can be removed without disassembling the valve. The valve must not be installed in a position with the actuator facing down.

When voltage is applied to the brown wire, **the actuator rotates clockwise (the path A-AB opens)**, when voltage is applied to the black wire, **the actuator rotates counter-clockwise (the path B-AB opens)**, when de-energized, the actuator remains in the current position. Shift time is 60s. The valve can be adjusted manually by turning the lever (after switching to manual control mode).



TECHNICAL DATA

MAX. WORKING PRESSURE	10 bar
MAX. PRESSURE DIFFERENCE	10 bar
FLUID WORKING TEMPERATURE	up to 110 °C

MATERIALS

VALVE HOUSING	CW617N
VALVE SPINDLE	nickel-plated brass
VALVE BALL	chrome-plated brass
O-RINGS	EPDM, FPM
POWER CABLE	PVC

ACTUATOR

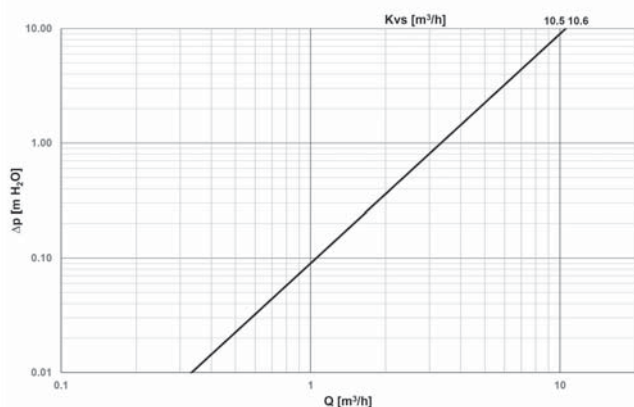
POWER SUPPLY	230 V 50 Hz
MAX. CONSUMPTION	2.5 VA
CURRENT	?? mA
IP RATING BY EN 60529	IP 42
PROTECTION CLASS BY EN 61140 ed.2	II

POWER CABLE

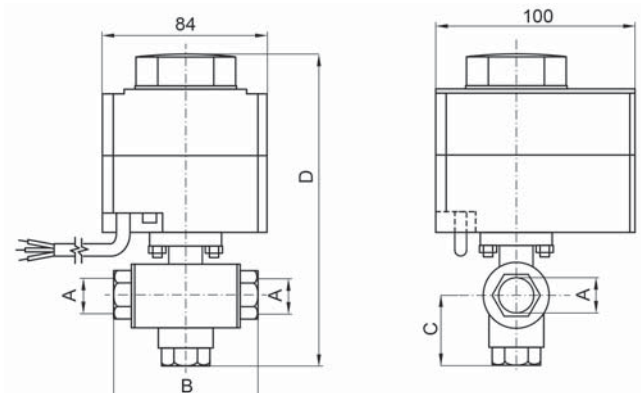
CROSS SECTION	3× 0.5 mm ²
LENGTH	2m

The valve actuator is equipped with an end microswitch with a potential-free contact.

VALVE PRESSURE DROP



DIMENSIONS AND TYPES



		VZU S 320 3/4F	VZU S 320 1F	VZU S 320 5/4M
CONNECTIONS	--	3/4" F	1" F	5/4" M
B	mm	96	96	116
C	mm	50	50	60
D	mm	186	186	196
WEIGHT	kg	1.3	1.3	1.3
NOMINAL DIAMETER	DN	20	20	20
KVS	m ³ /h	10.5	10.6	10.6
CODE	--	20614	20613	20615

ELECTRICAL WIRING

