

PROTECTION AGAINST BOILER CORROSION AND FOULING

Load Valves with automatic by-pass balancing



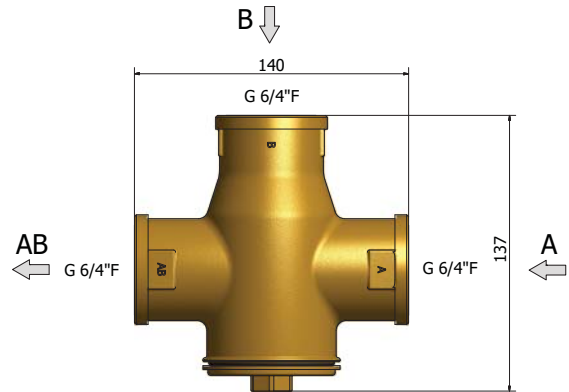
TSV6B

Valves for return temperature control, with automatic by-pass balancing

TSV B load valves mix cool return water from a heating system or thermal store with hot water from a boiler flow, **keeping boiler return water** (i.e. its heat transfer surfaces) at a temperature that **will not allow condensation to occur**. The boiler then works with higher efficiency and its service life is extended.

The valves feature automatic by-pass balancing. The exact control prevents boiler overheating and keeps a steady flow rate through a boiler under any temperature if the system is properly designed. When restricting the flow through one inlet, it opens the other one simultaneously.

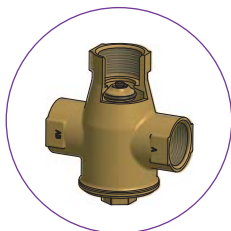
DIMENSIONS



VERSIONS

		TSV6B 45	TSV6B 55	TSV6B 65
OPENING TEMPERATURE	°C	45	55	65
NOMINAL DIAMETER	-	DN40	DN40	DN40
CONNECTION SIZE	--	G 6/4" F	G 6/4" F	G 6/4" F
K_{vs} from A to AB	m ³ /h	13.3	13.3	13.3
K_{vs} from B to AB	m ³ /h	9.6	9.6	9.6
WEIGHT	kg	1.7	1.7	1.7
CODE	--	12974	12975	12976

CONNECTION IN A SYSTEM



TSVB valve with automatic by-pass balancing

