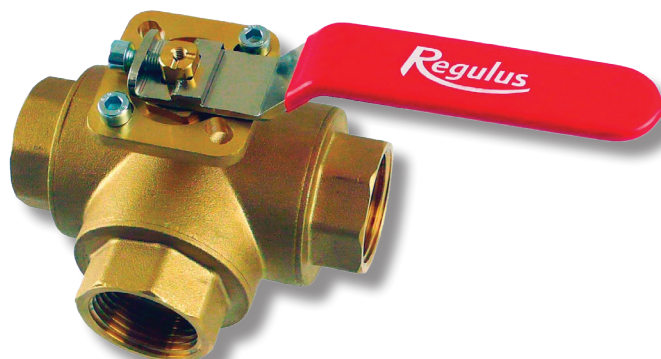


# Regulus

[www.regulus.eu](http://www.regulus.eu)



VZK M 3xx

Installation and Operation Manual  
**THREE-WAY ZONE BALL VALVE**  
VZK M 3xx

**EN**

**VZK M 3xx**

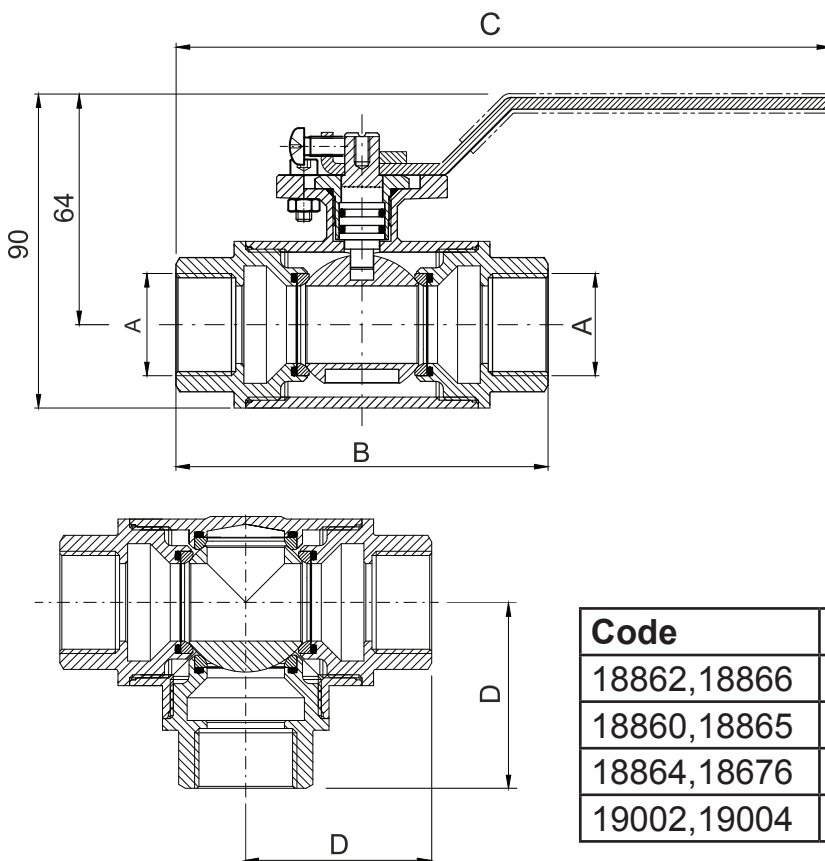
# 1. INTRODUCTION

A 3-way zone valve with manual control is usually used in heating and solar thermal systems. The valve does not interrupt the flow of fluid through the common port during switching. The direction of fluid flow is indicated by the groove on the spindle. Fluid can flow in either direction through the valve (common port can be used either as inlet or outlet).

# 2. TECHNICAL DATA

Code	Marking	Connections	Bore	Kvs [m <sup>3</sup> /h] – angled	Kvs [m <sup>3</sup> /h] – straight	Weight [kg]
18862	VZK M 325 L 3/4F	G 3/4" F	L	13.1	-	1.2
18860	VZK M 325 L 1F	G 1" F	L	14.3	-	1.2
18864	VZK M 325 L 5/4F	G 5/4" F	L	14.3	-	1.2
19002	VZK M 325 L 6/4M	G 6/4" M	L	14.3	-	1.3
18866	VZK M 325 T 3/4F	G 3/4" F	T	13.1	20,0	1.2
18865	VZK M 325 T 1F	G 1" F	T	14.3	28,3	1.2
18867	VZK M 325 T 5/4F	G 5/4" F	T	14.3	28,3	1.2
19004	VZK M 325 T 6/4M	G 6/4" M	T	14.3	28,3	1.3

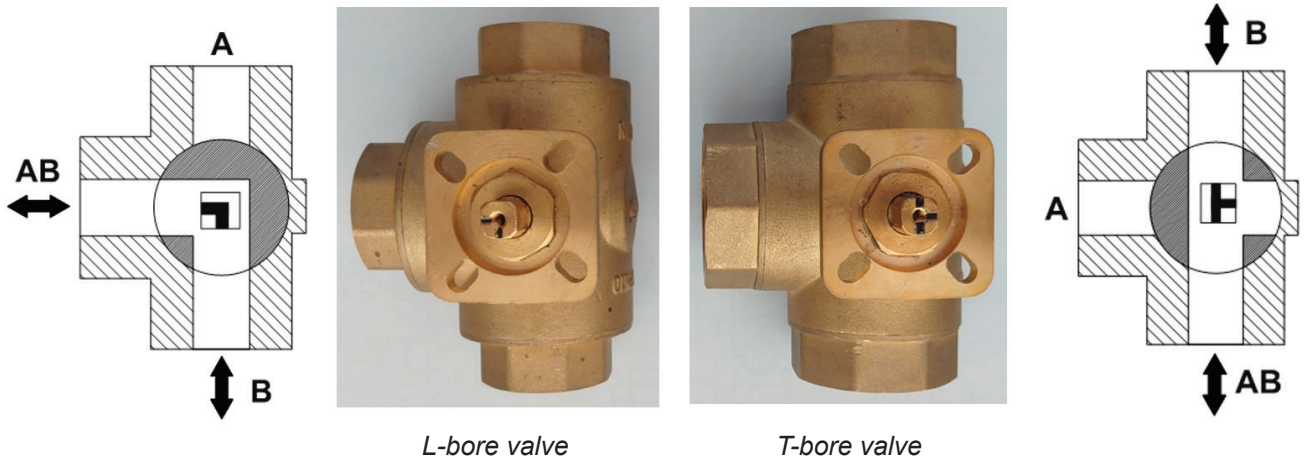
## Dimensions:



Code	A	B	C	D
18862,18866	G 3/4" F	104	174	52
18860,18865	G 1" F	104	174	52
18864,18867	G 5/4" F	104	174	52
19002,19004	G 6/4" M	128	184	64

## Direction of flow through the valve

Fluid can flow in either direction through the valve (common port can be used either as inlet or outlet).



### Technical Data

Max. working pressure	10 bar
Max. fluid working temperature	110 °C
Angle of rotation	90°
Ambient working temperature	5 to 40 °C
Max. pressure difference	10 bar

### Materials

Valve housing	brass CW617N
Valve spindle	brass CW617N
Valve ball	chrome-plated brass
O-rings	EPDM, FPM
Seal	PTFE

