

ELECTRONIC ANODE RODS



ACES – electronic anti-corrosion system

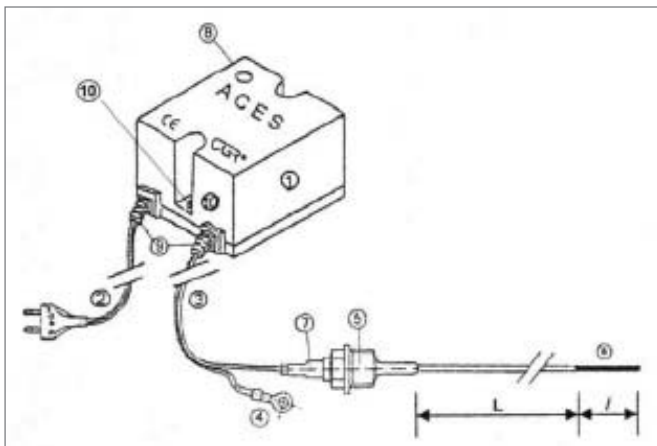
Anti-Corrosion Electronic System (ACES), also called Electronic Anode Rod, offers active anti-corrosion protection for hot water heaters by means of electric current.

The system adapts itself to changes in the inner surface layer condition and water quality using automatic regulation of electric current.

Permanent protection, no regular checks and maintenance needed. ACES fully replaces all functions of magnesium anode rods.

For proper functioning, all magnesium anodes shall be removed from the tanks unconditionally.

Components



Technical Data

ANODE ROD MATERIAL	titanium
SUPPLY VOLTAGE	230 V ± 10% - 50/60 Hz
IP RATING	IP 55
PROTECTION CLASS BY EN 61140 ed.2	II
MAX. OUTPUT VOLTAGE	18 V
MAX. OUTPUT CURRENT	0.18 A
MAX. POWER INPUT	2.5 W
WORKING TEMPERATURE	0 – 40 °C
OVERALL GENERATOR DIMENSIONS	60 × 52 × 45 mm
WEIGHT	0.4 kg

- ① Generator
- ② Power supply cable - 1.9m long
- ③ Output cable - 1.9m long
- ④ Earth terminal
- ⑤ 1/2" anode rod
- ⑥ Anode rod active section
- ⑦ Anode rod terminal
- ⑧ Red/green indication LED
- ⑨ Grommets
- ⑩ Mount holes

Models and application

MODEL	ANODE LENGTH [mm]	ACTIVE SECTION LENGTH [mm]	THREAD	CODE	FITS TO REGULUS TANKS	KIT CODE ¹⁾
ACES 200/150	350	150	1/2"	9169	RBC 200, RxDC 160, RxGC 300 K	9173
ACES 200/250	450	250	1/2"	4052	---	---
ACES 350/150	500	150	1/2"	9170	R0BC 200-500, RBC 300, R2BC 200-300, RxDC 200-250	9174
ACES 350/250	600	250	1/2"	3836	DUO 390/130 - 1700/200 RGC 120 H	13793 9176
ACES 550/200	750	200	1/2"	3837	RBC 200-300 HP	17375
ACES 550/250	800	250	1/2"	17475	R0BC 750-1000	17372

¹⁾ The Kit contains also necessary components to connect ACES to the respective tank – gasket and nipple.

For other Regulus tanks (not shown in the table) two or three anode rods shall be used (for Kit codes see the Catalogue), for tanks above 5000l two or more generators are necessary.

