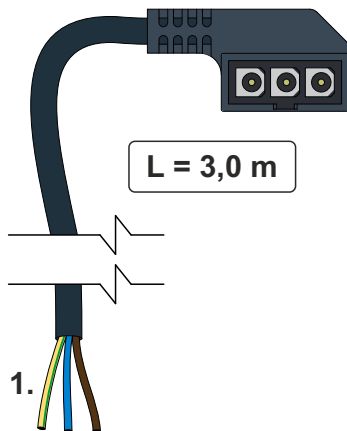


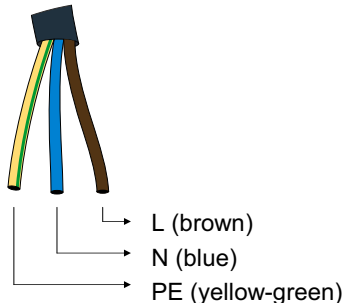


Main features	
Application	control of a solid fuel boiler return line or control of a fixed temperature flow into a mixed circuit
Description	consists of WILO Yonos Para RS 25/6 pump, LK 840 3-way mixing valve with ACC actuator, insulation
Function	keeping a constant temperature at a boiler return line or at a mixed heating circuit flow and turns on/off circulation pump depending on mode and temperature settings
Working fluid	water, water-glycol mixture (max. 1:1) or water-glycerine mixture (max. 2:1)
Installation	on solid fuel boiler return pipe / flow pipe to heating circuit, min. pipe centre distance from wall is 100 mm
Code	16220

Connection of WILO Yonos PARA RS Pump - MOLEX connector



1. POWER SUPPLY



CSE MIX-FIX W 1F Pump Station Data

Fluid operating temp.	5 - 110 °C
Max. working pressure	6 bar
Ambient temperature	5 - 40 °C
Max. relative humidity	95 % non condensing
Power supply	230 V, 50 Hz
Insulation material	EPP RG 60 g/l
Overall dimensions	325 x 140 x 220 mm
Total weight	4,1 kg
Connection	3 x G 1" F

WILO Yonos Para RS 25/6 RKC 130 mm Pump Data

Electric data

Power supply	230 V, 50 Hz
Power input (min./max.)	3/45 W
Current (min./max)	0,03/0,44 A
IP rating	IPX4D
Max. speed	4300 rpm
Energy efficiency index	≤ 0,20 per EN 16 297/3
Motor protection	integrated

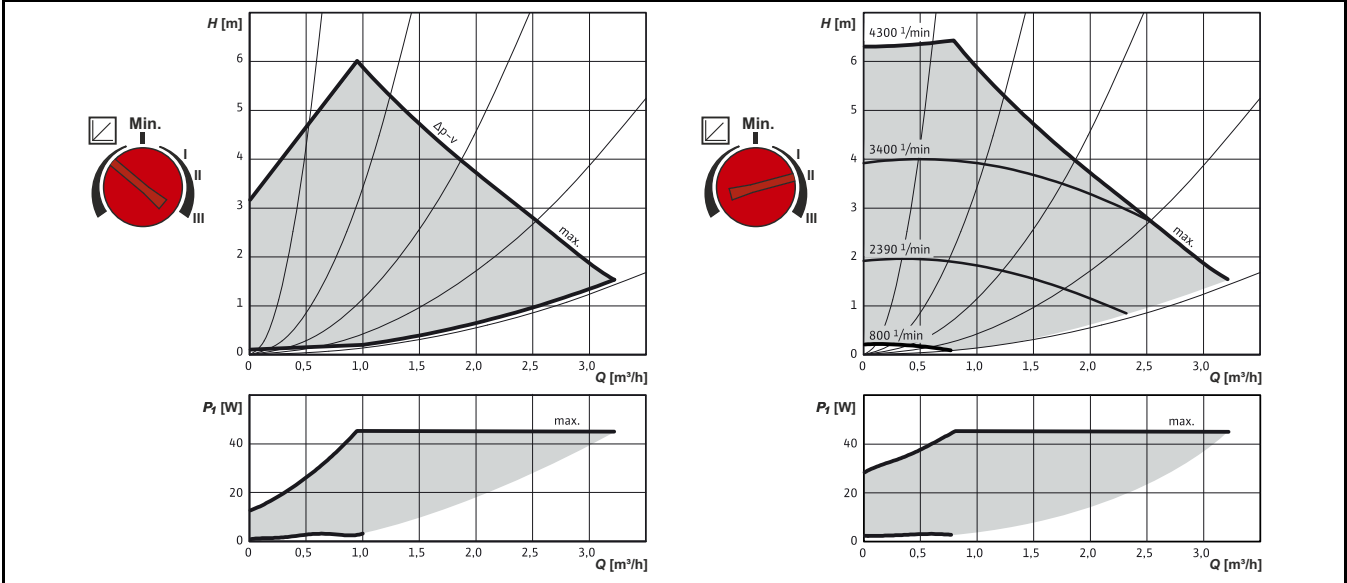
Min. pressures at pump suction port to avoid cavitation

Min. pressures at pump suction port	0.5 mH ₂ O at 50 °C
	4.4 mH ₂ O at 95 °C

Operation data

Fluid operating temp.	0 - 100 °C at 58 °C ambient temp.
Max. working pressure	6 bar
Max. delivery head	6,2 m

WILO Yonos Para RS Pump performance curves



LK 840 Mixing Valve

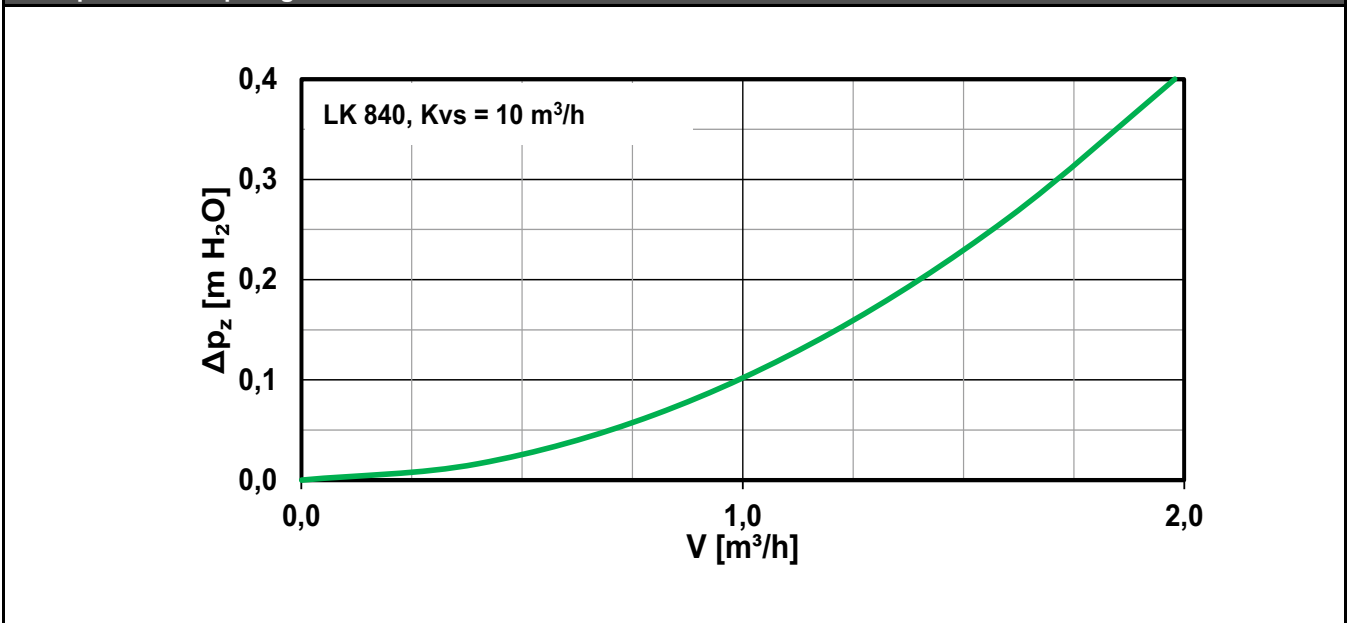
Technical data

Max. working temperature	5 - 110 °C (120 °C in short term)
Max. working pressure	10 bar
Ambient working temp.	5 - 60 °C
Valve Kvs	10 m ³ /hod
Max. pressure difference	5 m H ₂ O
Leakage rate	< 1 % Kvs at 5 m H ₂ O pressure diff.
Connection	3 x G 1" F

Materials

Body, member and spindle	brass
Seal	EPDM

Valve pressure drop diagram



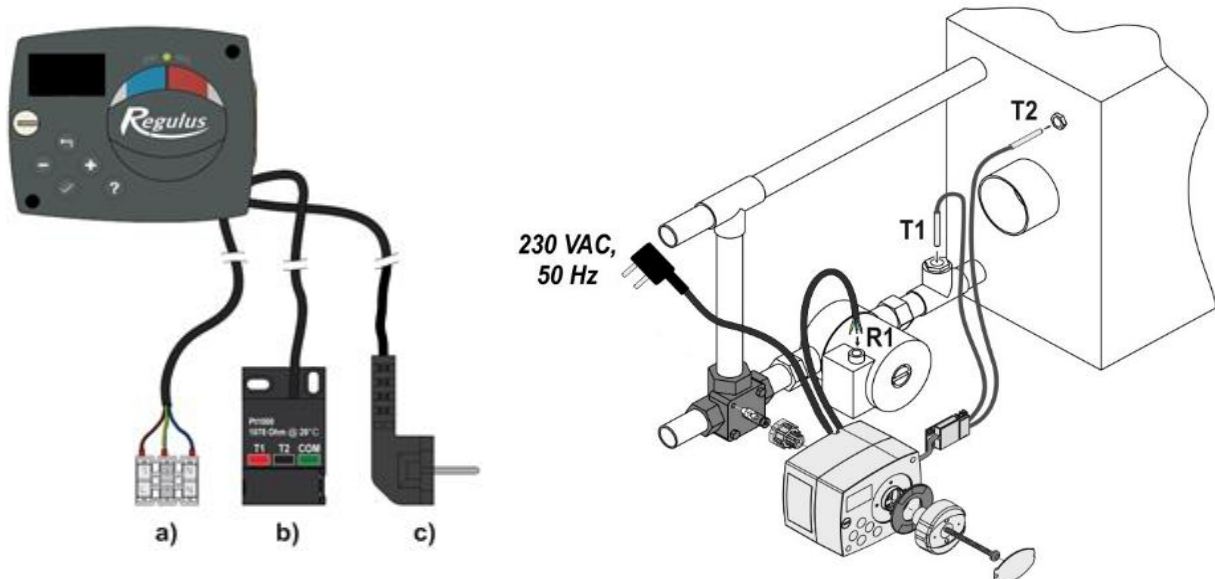


ACC Actuator for Mixing Valves

Technical data

Torque	6 Nm
Angle of rotation	90°
Shift time	120 s
Control	3-point
Temperature sensors	2 x Pt1000 (1000 Ω → 0 °C)
Auxiliary switch	no
Power supply	230 V AC
Max. power input	3,5 VA
IP rating	IP42
Protection class	I per EN 60730-1
Ambient temperature	5 - 40 °C
Cable (cross-section - length)	3 x 0,5 mm ² , 2 m, type E

Actuator installation and sensor connection



- a) wiring to switch on/off a circulation pump (R1)
- b) to connect Pt1000 temperature sensors (T1, T2)
- c) 230 V AC, 50 Hz power supply