


CSE SOL W SRS1 T Solar Pump Station

v1.4_07/2021

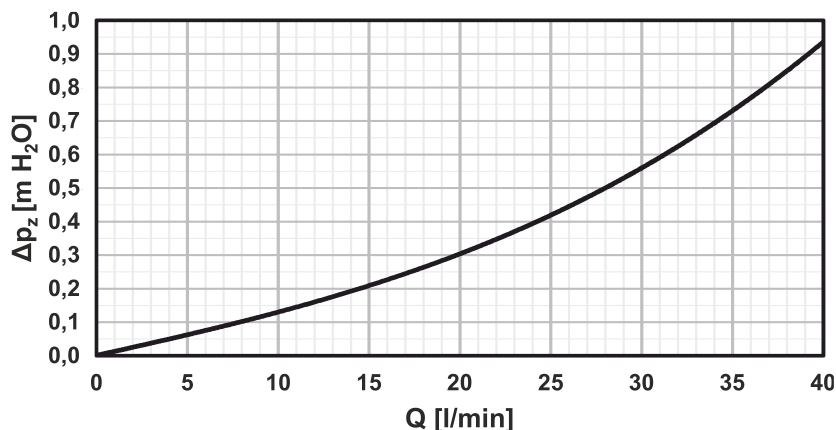
	Main Features			
	<table border="1" style="width: 100%; border-collapse: collapse;"> <tr> <td style="width: 20%;">Application</td> <td>Solar Pump Station involves all necessary components for everyday efficient operation. The pump station permits connecting an auxiliary el. heating element of 2-3 kW output or a gas boiler or another switching heat source. Switching on and off this heat source is controlled by a controller. The heat source shall be connected to the potential-free switching contact of the controller. A heating element not included in supply.</td> </tr> </table>	Application	Solar Pump Station involves all necessary components for everyday efficient operation. The pump station permits connecting an auxiliary el. heating element of 2-3 kW output or a gas boiler or another switching heat source. Switching on and off this heat source is controlled by a controller. The heat source shall be connected to the potential-free switching contact of the controller. A heating element not included in supply.	
	Application	Solar Pump Station involves all necessary components for everyday efficient operation. The pump station permits connecting an auxiliary el. heating element of 2-3 kW output or a gas boiler or another switching heat source. Switching on and off this heat source is controlled by a controller. The heat source shall be connected to the potential-free switching contact of the controller. A heating element not included in supply.		
	<table border="1" style="width: 100%; border-collapse: collapse;"> <tr> <td style="width: 20%;">Description</td> <td> <p>The pump station consist of Para ST 25 / 7-50 / iPWM2 pump, SRS1 T controller, non-return and safety valves, 2 ball valves, pressure gauge, thermometer, insulation and installation kit. After the control element with end stops is removed and the gland nut released, the ball valves enable easy replacement of O-rings without the need of draining the solar system.</p> <p>The pump station further involves:</p> <ul style="list-style-type: none"> outlet for expansion vessel connection outlet from safety valve, incl. extension piping led below the pump station for an easy connection solar system filling, draining and topping-up valves 2 temperature sensors connected to a consumer (4 m cable) solar temperature sensor (2 m cable) 230 V power supply cable w. el. plug (3 m long, 3 x 1,5 mm² cross section) </td> </tr> </table>	Description	<p>The pump station consist of Para ST 25 / 7-50 / iPWM2 pump, SRS1 T controller, non-return and safety valves, 2 ball valves, pressure gauge, thermometer, insulation and installation kit. After the control element with end stops is removed and the gland nut released, the ball valves enable easy replacement of O-rings without the need of draining the solar system.</p> <p>The pump station further involves:</p> <ul style="list-style-type: none"> outlet for expansion vessel connection outlet from safety valve, incl. extension piping led below the pump station for an easy connection solar system filling, draining and topping-up valves 2 temperature sensors connected to a consumer (4 m cable) solar temperature sensor (2 m cable) 230 V power supply cable w. el. plug (3 m long, 3 x 1,5 mm² cross section) 	
	Description	<p>The pump station consist of Para ST 25 / 7-50 / iPWM2 pump, SRS1 T controller, non-return and safety valves, 2 ball valves, pressure gauge, thermometer, insulation and installation kit. After the control element with end stops is removed and the gland nut released, the ball valves enable easy replacement of O-rings without the need of draining the solar system.</p> <p>The pump station further involves:</p> <ul style="list-style-type: none"> outlet for expansion vessel connection outlet from safety valve, incl. extension piping led below the pump station for an easy connection solar system filling, draining and topping-up valves 2 temperature sensors connected to a consumer (4 m cable) solar temperature sensor (2 m cable) 230 V power supply cable w. el. plug (3 m long, 3 x 1,5 mm² cross section) 		
<table border="1" style="width: 100%; border-collapse: collapse;"> <tr> <td style="width: 20%;">Flow rate measurement</td> <td>The pump sends the momentary flow rate value as data to controller where it is displayed.</td> </tr> </table>	Flow rate measurement	The pump sends the momentary flow rate value as data to controller where it is displayed.		
Flow rate measurement	The pump sends the momentary flow rate value as data to controller where it is displayed.			
<table border="1" style="width: 100%; border-collapse: collapse;"> <tr> <td style="width: 20%;">Installation</td> <td>on a tank or wall using the installation kit</td> </tr> <tr> <td style="width: 20%;">Working fluid</td> <td>water-glycol mixture (max. 1:1)</td> </tr> </table>	Installation	on a tank or wall using the installation kit	Working fluid	water-glycol mixture (max. 1:1)
Installation	on a tank or wall using the installation kit			
Working fluid	water-glycol mixture (max. 1:1)			

Code corresponding to connection size					
Connection	G 3/4" M	G 1" M	Cu 18 mm	Cu 22 mm	Cu 28 mm
Code	17726	17902	18117	17903	17904

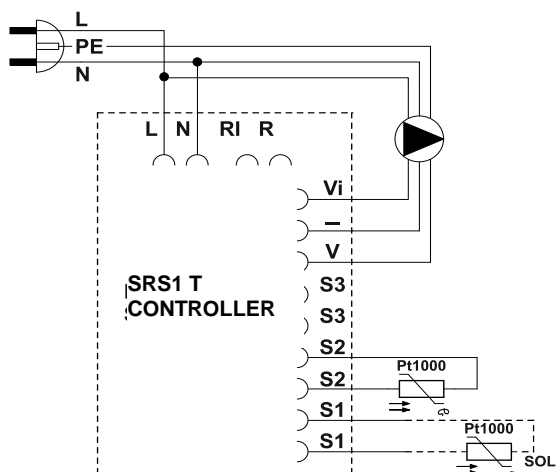
Pump Station Data	
Max. fluid working temperature	110 °C
Max. working pressure	6 bar
Min. system pressure	1.3 bar with the pump stopped
Flow rate measurement range	2-20 l/min
Max. switched current	13 A / 230 V
Power supply	230 V, 50 Hz
Ambient temperature	5 to 40 °C
Max. relative humidity	85% at 25 °C
Insulation material	EPP RG 60 g/l
IP rating	IP20
Overall dimensions	470 x 265 x 120 mm
Total weight	7.0 kg

Accessories	
Code 7629	Cu 22 x Cu 22 fittings, straight, to connect safety valve to waste pipe
Code 13695	Cu 22 x G 3/4" M fittings, straight, to connect safety valve to waste pipe

Pump Station Pressure Drop

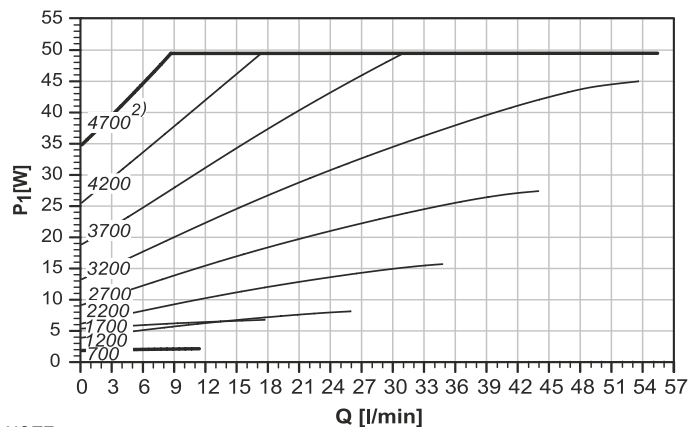
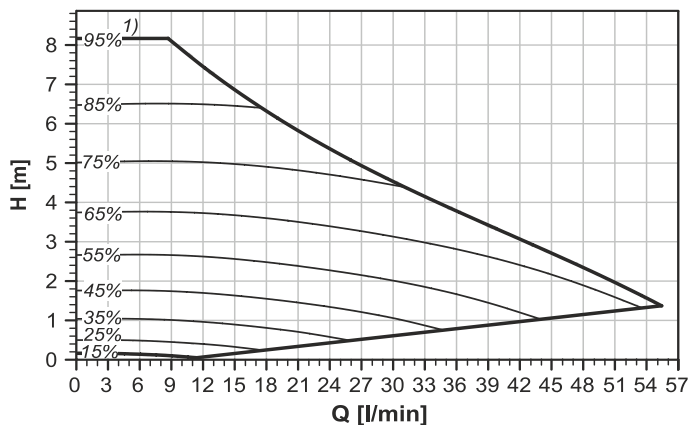


Pump Station Internal Wiring



- L** live
- N** neutral
- RI, R** potential-free switching contact
- Vi** iPWM signal input
- GND PWM
- V** PWM signal output
- S2** sensor 2 (sol. consumer)
- S1** sensor 1 (collector)

Pump Performance curves



NOTE:

- 1) PWM signal value in %,
- 2) speed in rpm