

DATA SHEET

CSE2 SOL G SRS1 T-E P Solar Pump Station



Main Features

Application	<p>This twin-line solar pump station contains all components necessary for current and efficient operation. It is designed for operation with one solar consumer (e.g. hot water tank). An auxiliary electric heating element of 2 to 3 kW output can be connected to the heat pump. For its connection, the pump station is equipped with a special socket. The controller controls switching on and off of the heating element. Neither the heating element nor its safety temperature limiter are included in supply.</p>
Description	<p>The pump station includes:</p> <ul style="list-style-type: none"> – UPM3 Hybrid 25-70 circulation pump, – SRS1 T controller, – special socket to connect a heating element of max. 3 kW/230 V output, – check valve, – safety valve with G 3/4" F outlet, – ball valves on both flow and return lines, – air eliminator with manual air vent valve, – flow rate indicator, – pressure gauge, – thermometers on both flow and return lines, – two G 3/4" M valves for filling, draining and topping up the solar thermal system, – G 3/4" M outlet for connecting an expansion vessel, – 2 already connected temperature sensors of a solar consumer (4 m long), – already connected cable w. silicone insulation to connect a solar sensor (1 m long), – solar temperature sensor (2 m long cable), – already connected 230 V power cord with plug (3 m long, 3 x 1.5 mm² cross section), – mounting kit for installation on a wall or tank, – insulation.
Installation	On a tank or wall using.
Working fluid	Water-glycol mixture (max. 1:1).
Codes corresponding	20522 – Connections G 3/4" M 20556 – Connections G 1" M

Pump Station Data

Max. fluid working temperature	110 °C
Max. working pressure	6 bar
Min. system pressure	1.3 bar with the pump stopped
Flow rate measurement range	2–20 l/min
Ambient temperature	5 to 40 °C
Max. relative humidity	85% at 25 °C
Power supply	230 V, 50 Hz
Max. switched current	13 A/230 V
Insulation material	EPP RG 60 g/l
Overall dimensions (w x h x d)	IP20
Total weight	6.8 kg

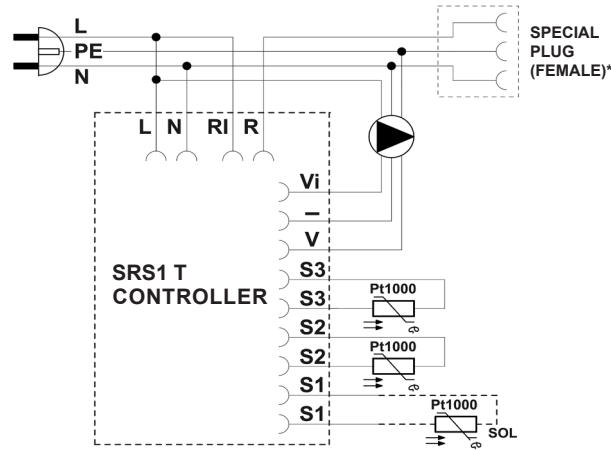
Accessories

Code 16942	ETT-N heating element, 2 kW
Code 16943	ETT-N heating element, 3 kW
Code 16940	connector for a special socket located under the controller

DATA SHEET

CSE2 SOL G SRS1 T-E P Solar Pump Station

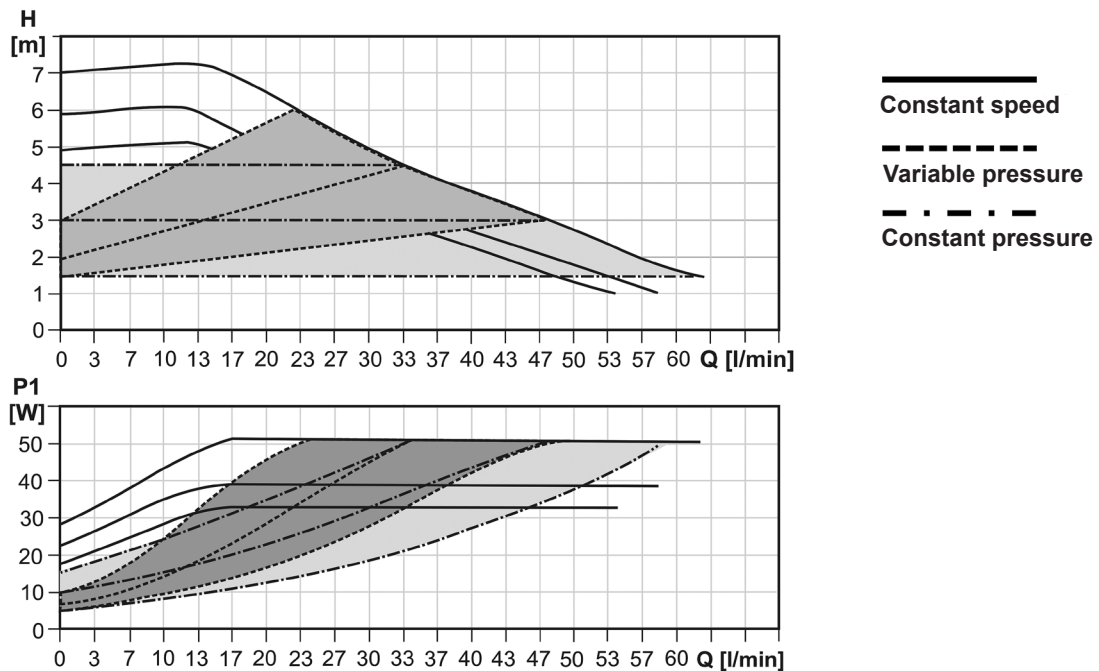
Pump Station Internal Wiring



- L** live
- N** neutral
- RI, R** potential-free switching contact
- Vi** iPWM signal input
- GND PWM
- V** PWM signal output
- S2** sensor 2 (solar consumer)
- S1** sensor 1 (collector)

* In pump station to connect a heating element, 3 kW max. output.

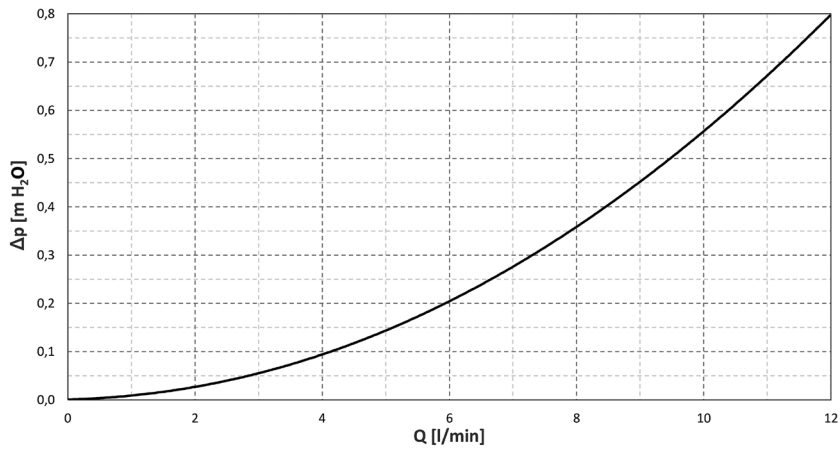
Pump Performance curves



DATA SHEET

CSE2 SOL G SRS1 T-E P Solar Pump Station

Pressure Drop Graph

Connections G 3/4" M – code **20522**Connections G 1" M – code **20556**