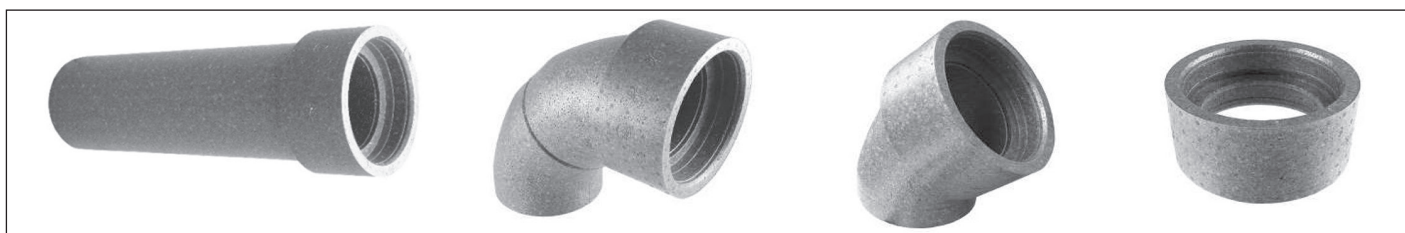


DATA SHEET

Round EPP Ducts, 125 and 150 mm diam.



Main Features

Application	to connect heat recovery ventilation units
Working substance	air

Codes

Marking	Description	Diameter	Code
EPP-SRGL – 125 – 0050	round duct, 0.5 m long	125 mm	18064
EPP-SRGL – 125 – 0100	round duct, 1 m long	125 mm	18066
EPP-BPF – 125 – 90	round elbow, 90°	125 mm	18068
EPP-BPF – 125 – 45	round elbow, 45°	125 mm	18070
EPP-MSF – 125	duct coupler	125 mm	18072
EPP-SRGL – 150 – 0050	round duct, 0.5 m long	150 mm	18065
EPP-SRGL – 150 – 0100	round duct, 1 m long	150 mm	18067
EPP-BPF – 150 – 90	round elbow, 90°	150 mm	18069
EPP-BPF – 150 – 45	round elbow, 45°	150 mm	18071
EPP-MSF – 150	duct coupler	150 mm	18073

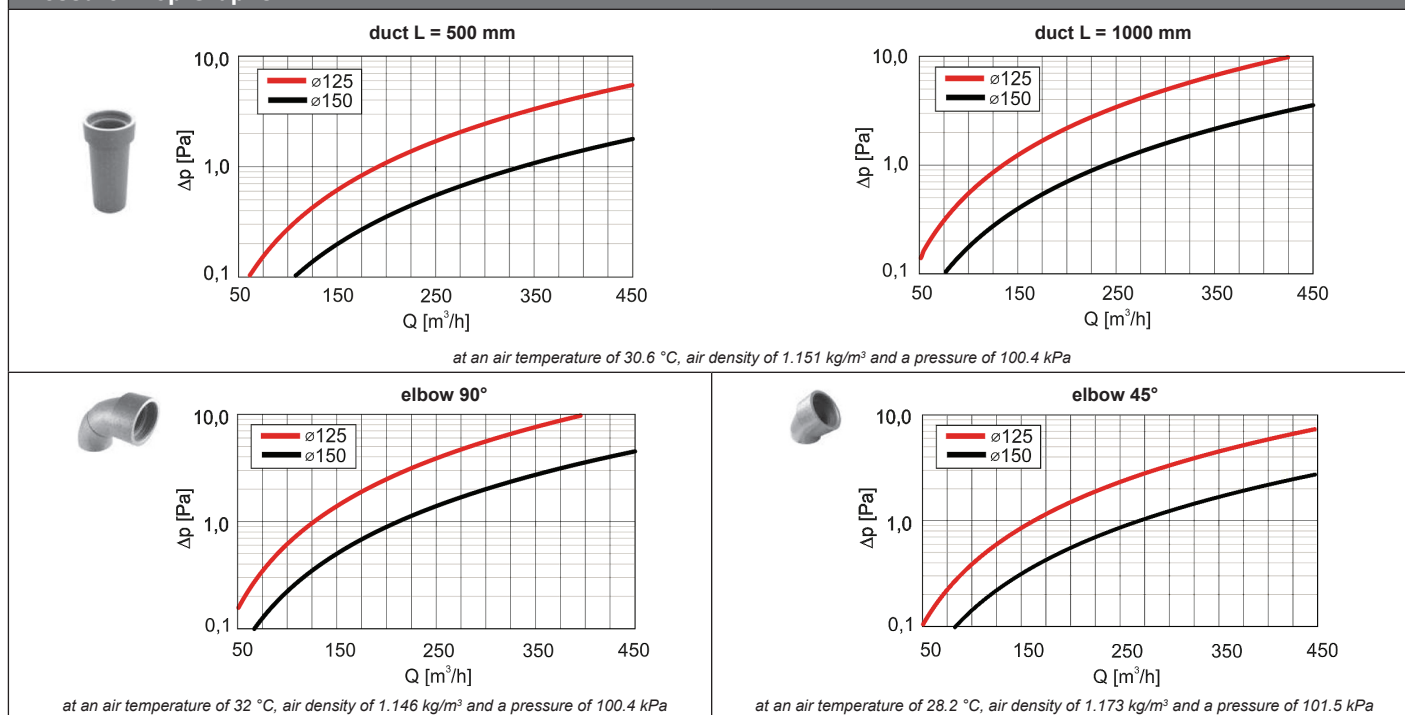
Technical Data

Thermal conductivity	0.039 W/m.K
Wall roughness	0.077 mm

Other Data

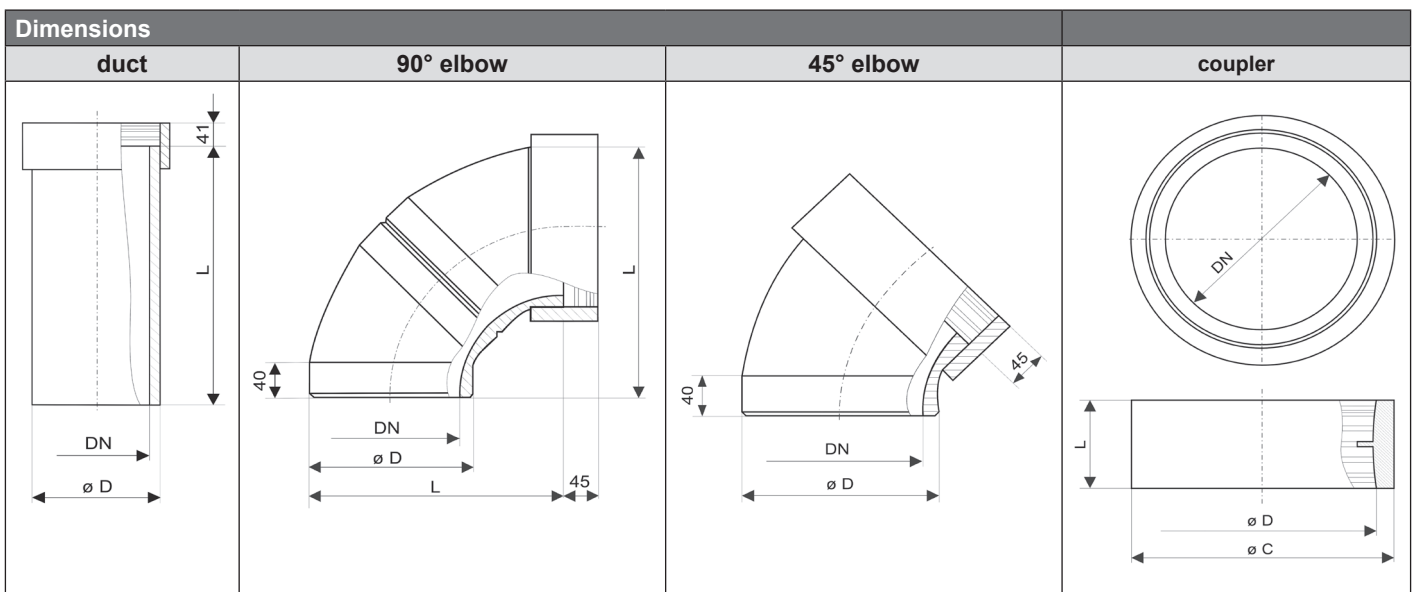
Material	EPP extruded polypropylene
Airtightness class	C

Pressure Drop Graphs



DATA SHEET

Round EPP Ducts, 125 and 150 mm diam.



	Code	DN	Ø D	L	Ø C
		mm	mm	mm	mm
Duct	18064	125	155	500	–
	18066	125	155	1000	–
	18065	150	180	500	–
	18067	150	180	1000	–
90° elbow	18068	125	155	265	–
	18069	150	180	285	–
45° elbow	18070	125	155	–	–
	18071	150	180	–	–
Coupler	18072	125	155	78	186
	18073	150	180	83	211